

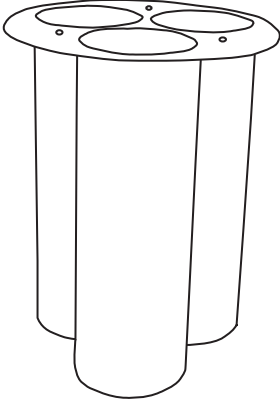


# ZOEY ROUND SIDE TABLE

TS801

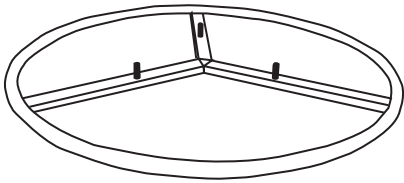
## PRODUCT PARTS INCLUDED

A



X1

B



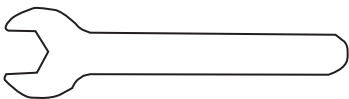
X1

C



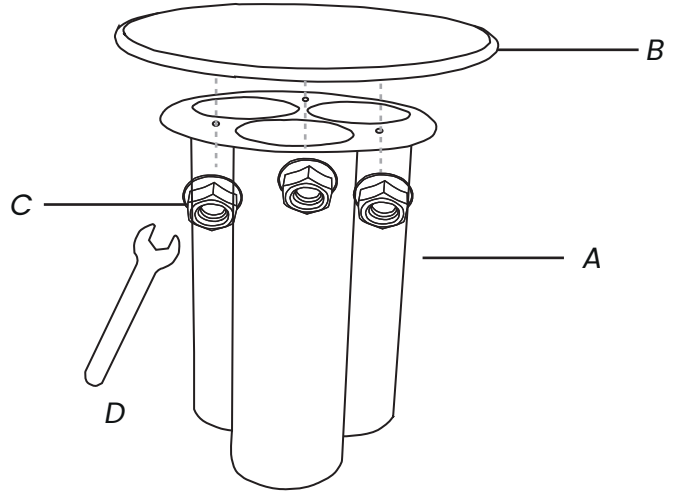
X3

D

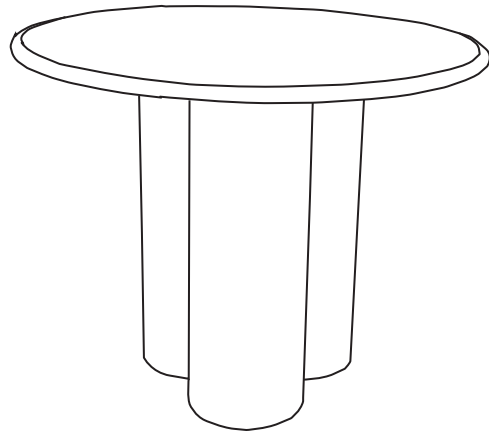


X1

## STEP 1



## STEP 2



## ATTENTION:

1. First, align the screws on the tabletop with the holes in the base.
2. Then secure the nuts and tighten them firmly to fix the table in place.
3. Don't move the table casually due to heavy base.
4. Wipe with soft cloth.