

C

Arbor Bench

BNCH-ARBOR

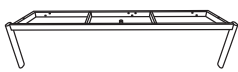
PRODUCT PARTS INCLUDED

A



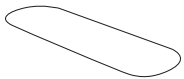
BACKREST x1

B



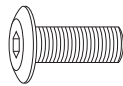
LEGS x1

C



SEAT x1

D



MID
SCREWS x7
M8*35mm

E



LONGER
SCREWS x4
M6*55mm

F



SHORTER
SCREWS x2
M6*20mm

G



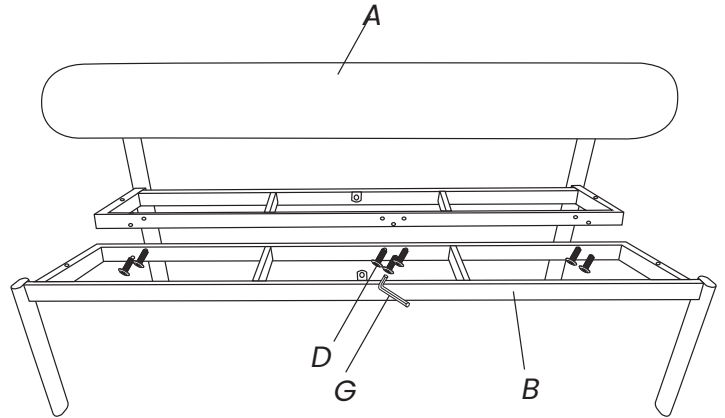
BIGGER
TOOL x1

H

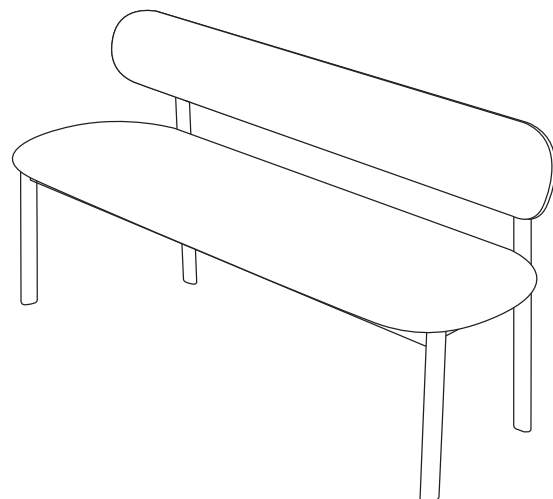
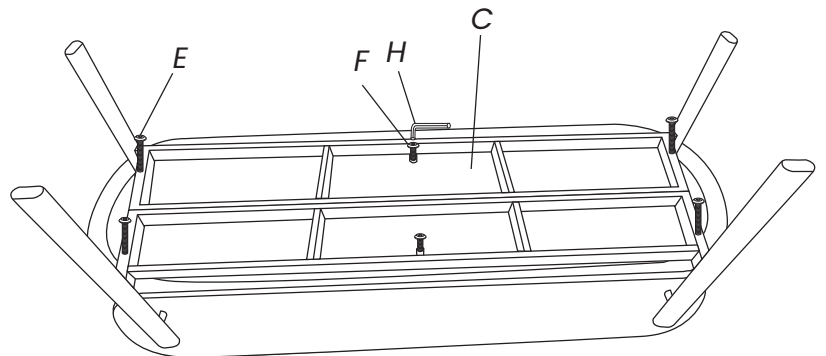


SMALLER
TOOL x1

STEP 1



STEP 2



Assembled