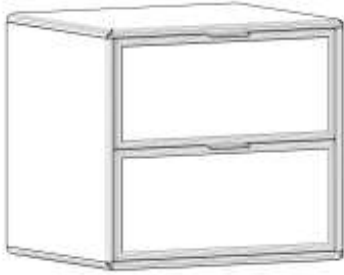


Arden 2 Drawer Bedside Table

PRODUCT PARTS INCLUDED

A



Wooden Structure x 1pc

B



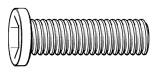
Wooden legs x 2pcs

C



Allen key x 1 pc

D



Bolt x 6pcs

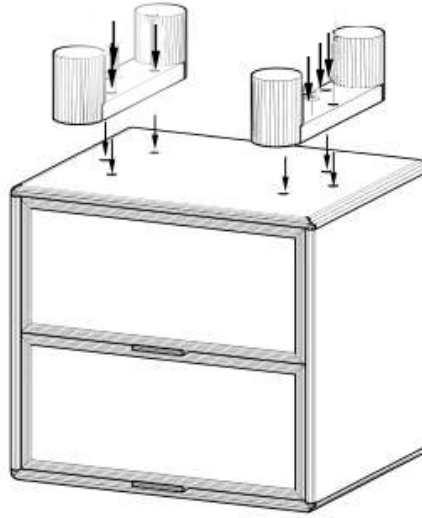
E

F

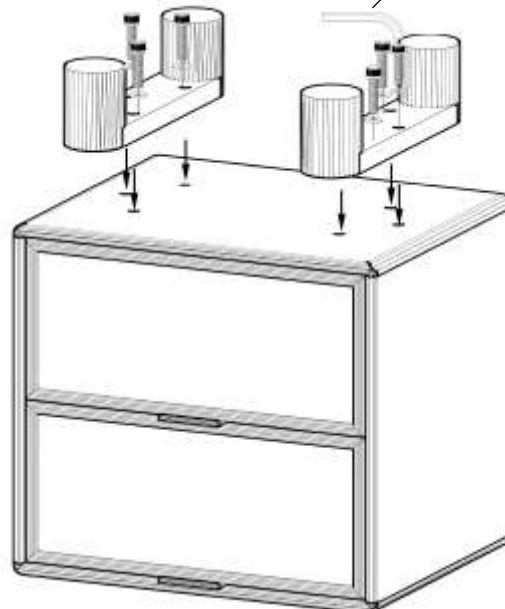


Washer x 6 pcs

STEP 1



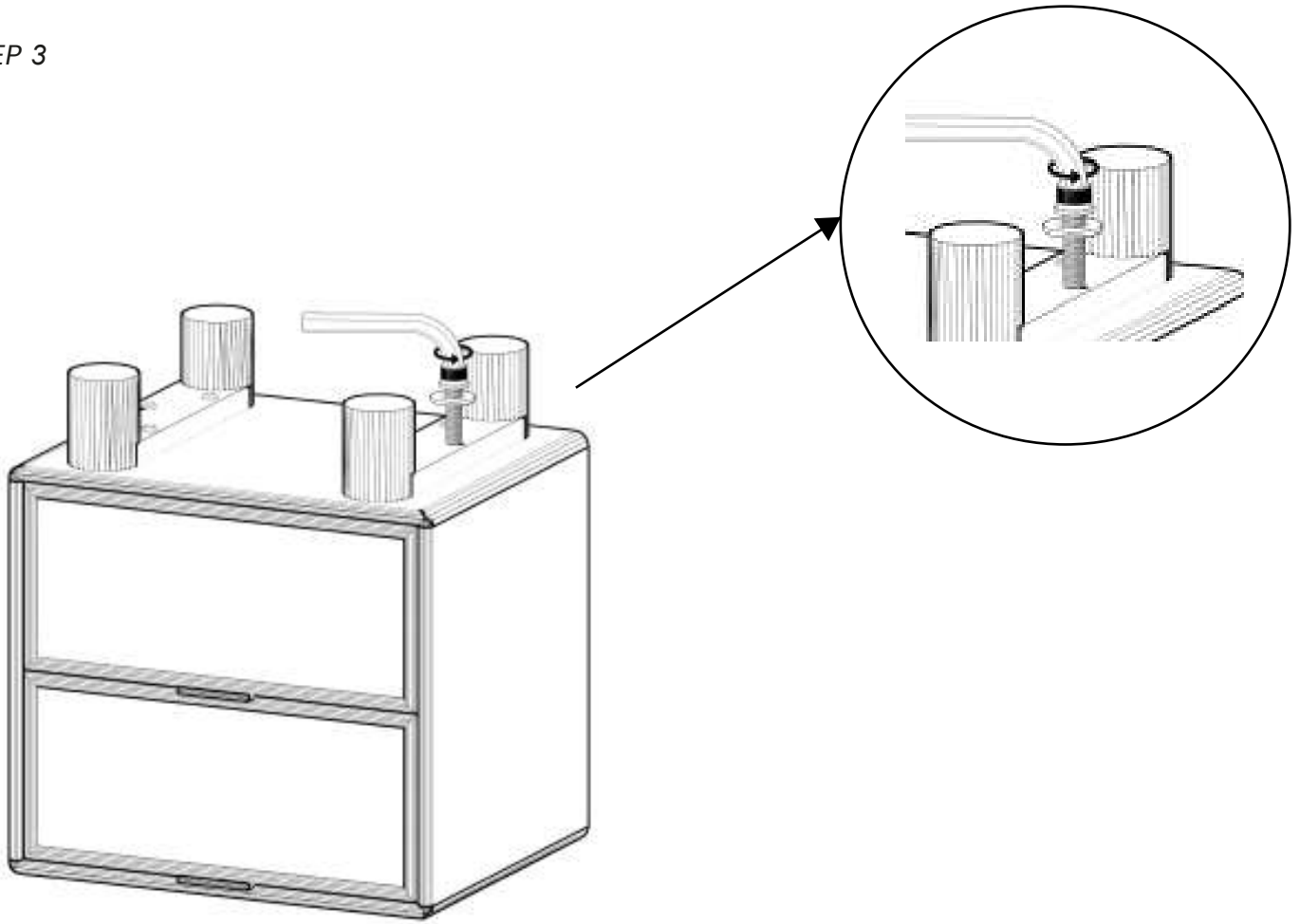
STEP 2



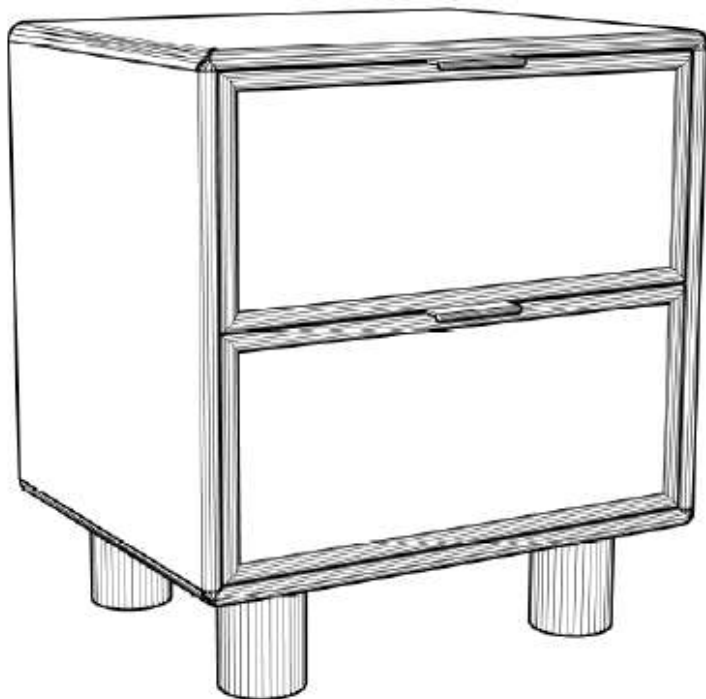
C

Arden 2 Drawer Bedside Table

STEP 3



STEP 4



Assembled