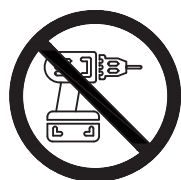
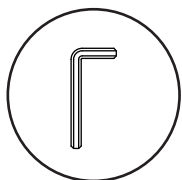




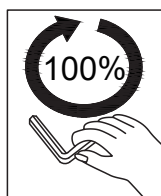
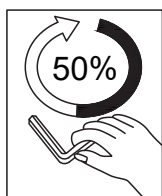
GENERAL WARNINGS

Levan Garden Lounge Set

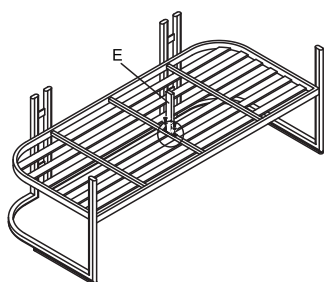
CF_ MLM-212212B



Please use the Allen key provided to avoid over tightening and possible screw damage.



Before aligning all bolt holes, tighten the bolt to 50%. Only after completing all assembly step then fully tightened to 100%.



The centre Foot E (auxiliary support) provides supplemental stability only and will rest on the ground, once weight is applied for extra frame support.



Minimum Two Persons Assembly



Approx Assembly Time 30minutes

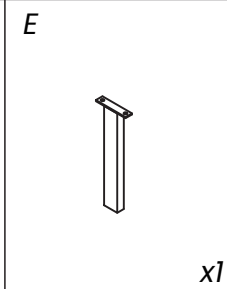
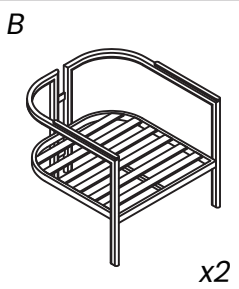
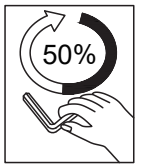
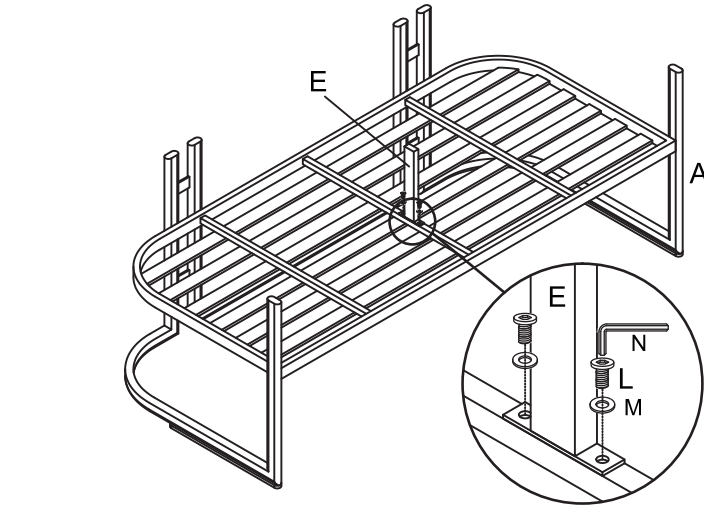
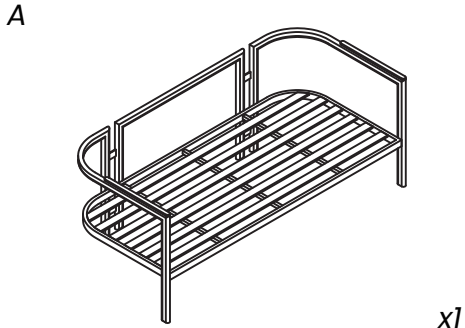


Levan Garden Lounge Set

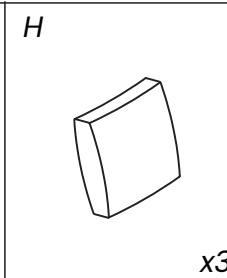
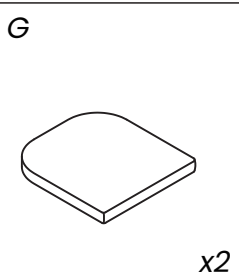
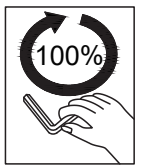
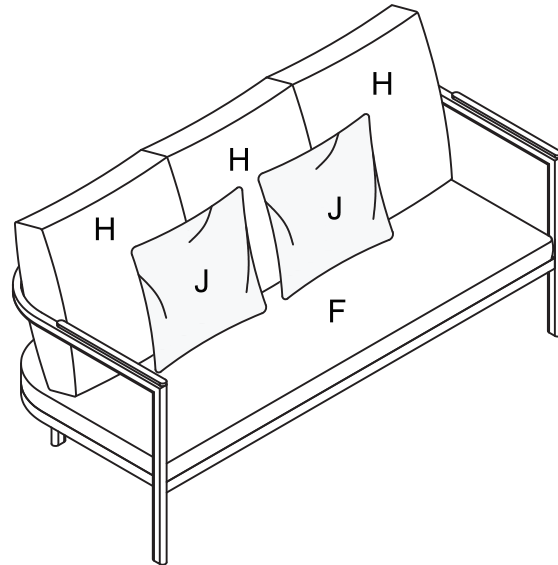
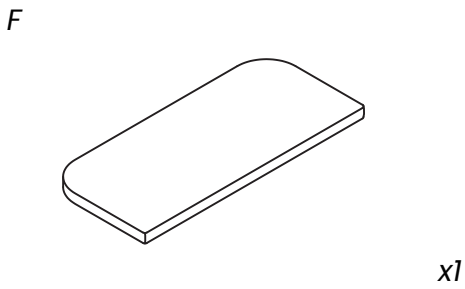
CF_ MLM-212212B

PRODUCT PARTS INCLUDED

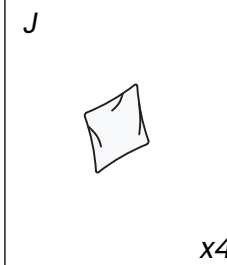
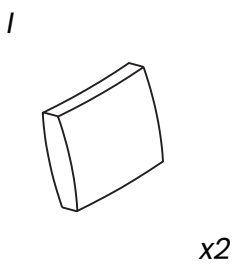
STEP 1



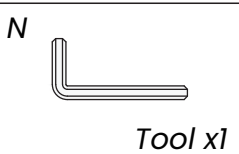
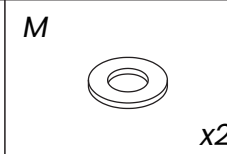
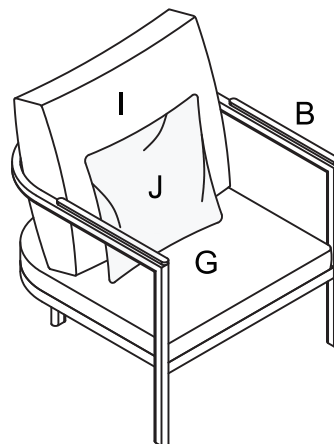
STEP 2



STEP 3



x2





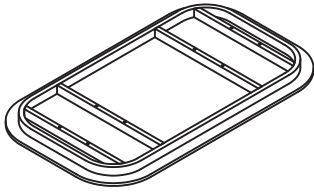
Levan Garden Lounge Set

CF_ MLM-212212B

PRODUCT PARTS INCLUDED

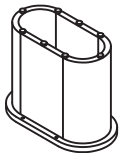
STEP 1

A



x1

C



x2

D



SCREWS x8
M6*40mm

E

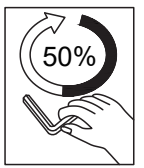
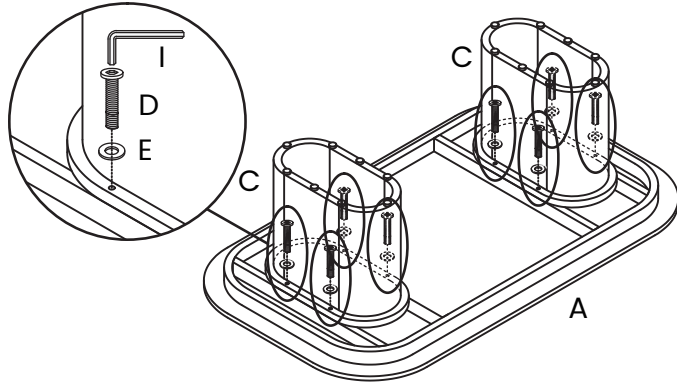


x8

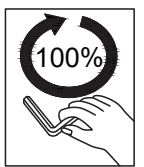
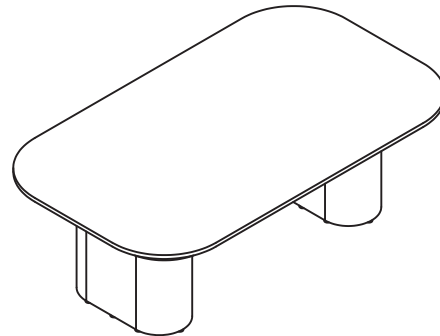
I



Tool x1



STEP 2



STEP 3

