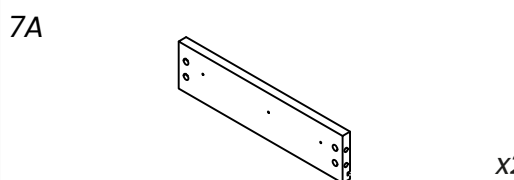
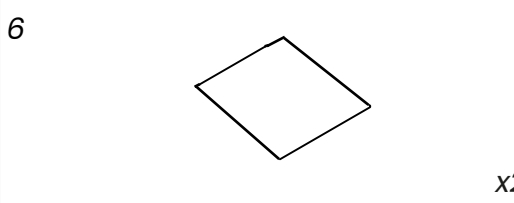
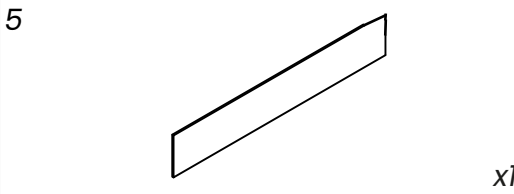
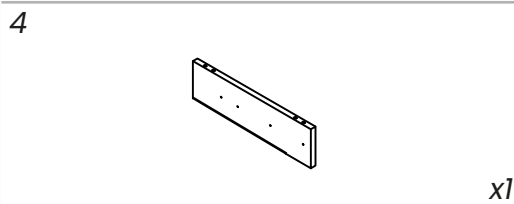
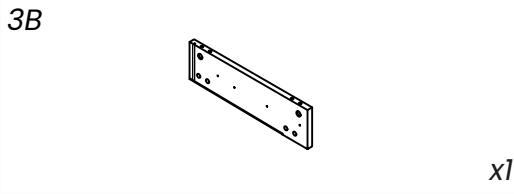
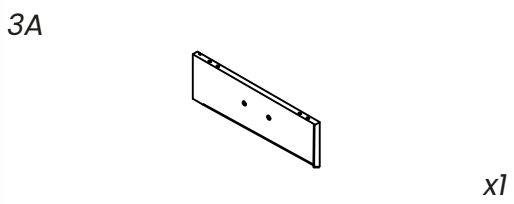
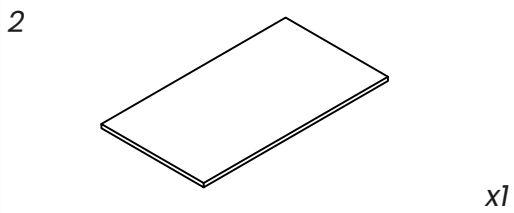
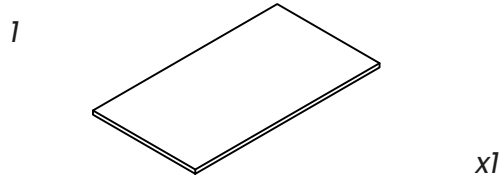




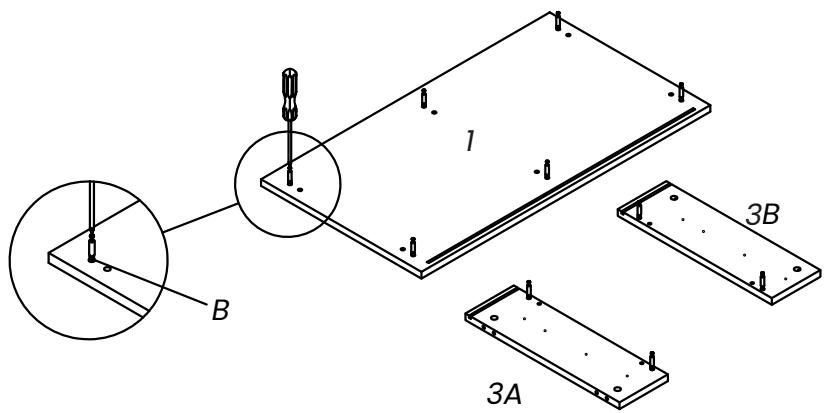
Campbell Large Desk, Black

CF_21519/BLK

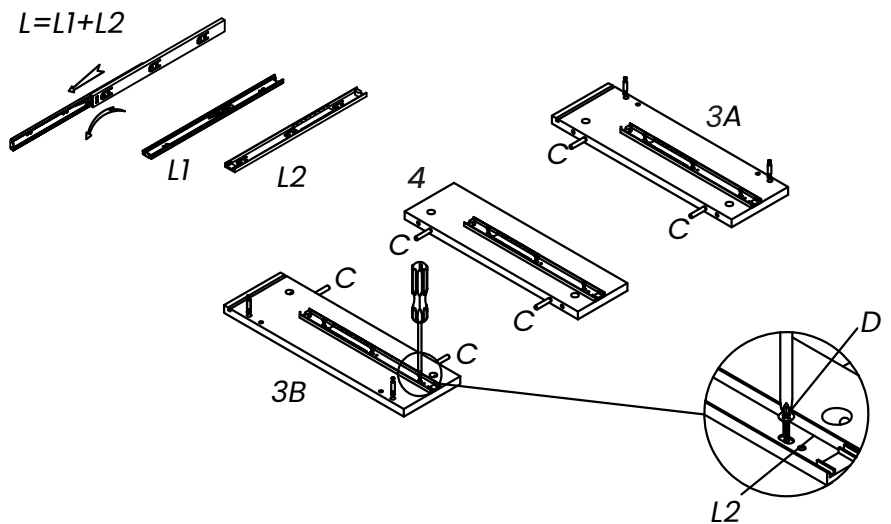
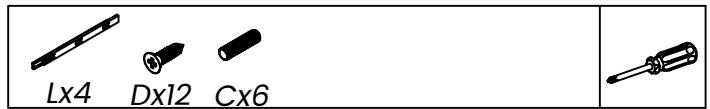
PRODUCT PARTS INCLUDED



STEP 1



STEP 2

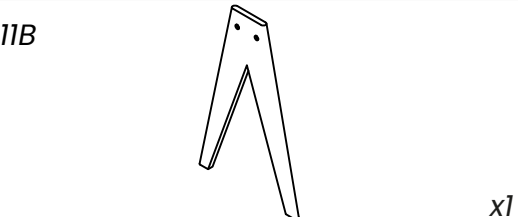
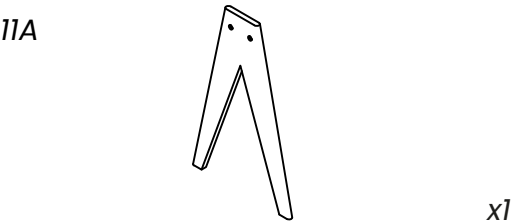
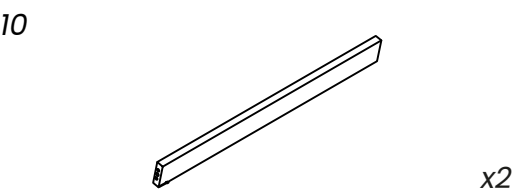
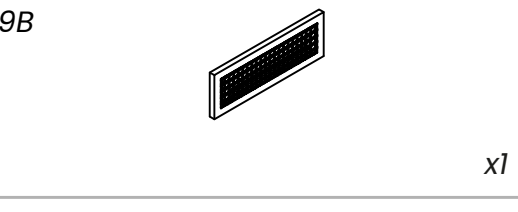
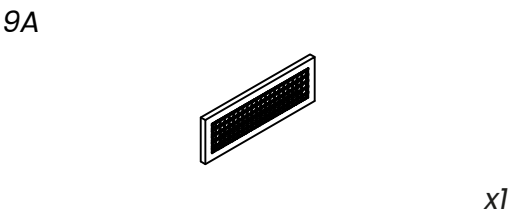
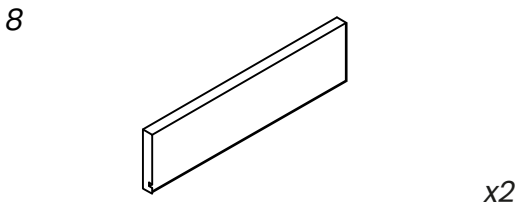
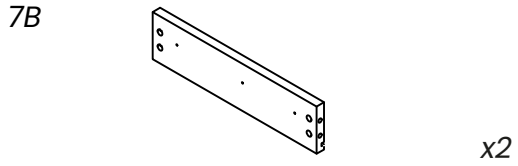




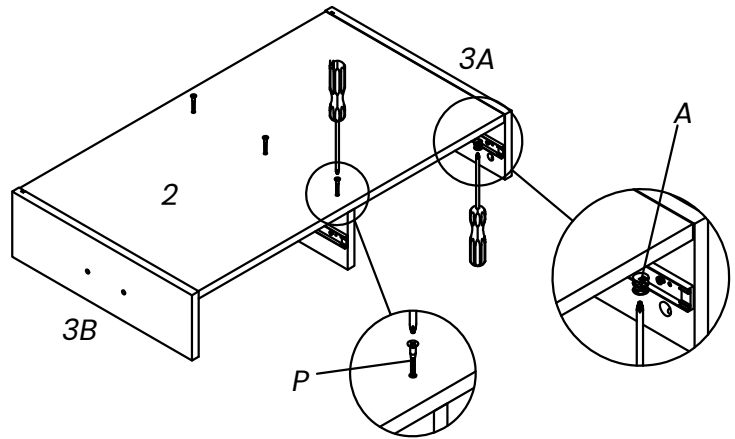
Campbell Large Desk, Black

CF_21519/BLK

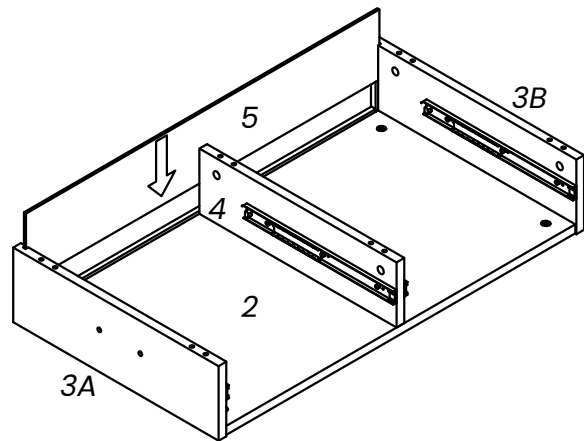
PRODUCT PARTS INCLUDED



STEP 3



STEP 4







Campbell Large Desk, Black

CF_21519/BLK

PRODUCT PARTS INCLUDED

 $\phi 15 \times 12$ Ax10


 M6x35 Bx10


 $\phi 8 \times 40$ Cx14

 M3.5x15 Dx24

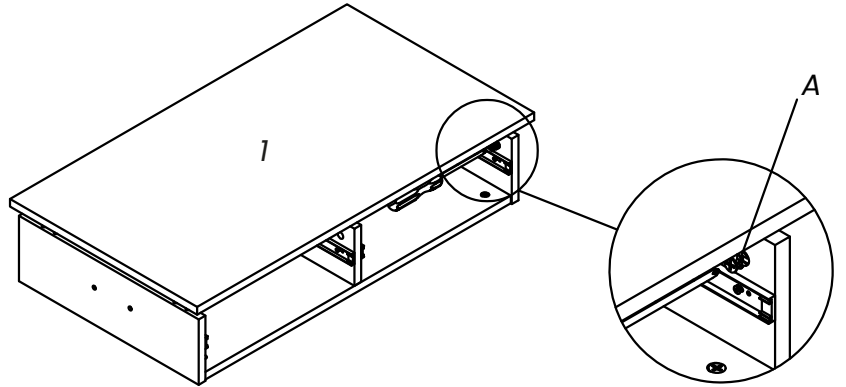
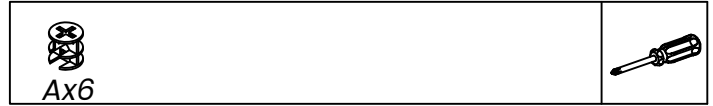
 M8 Ex4

 14 Fx1

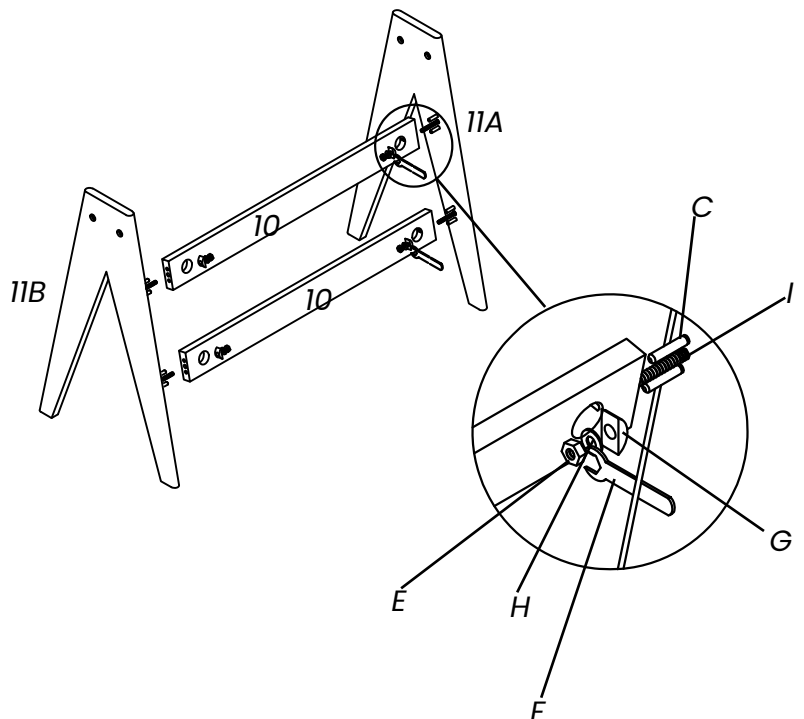
 Gx4

 $\phi 18 \times M8 \times 1.2$ Hx4

STEP 5



STEP 6

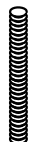





Campbell Large Desk, Black

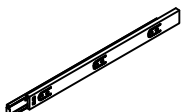
CF_21519/BLK

PRODUCT PARTS INCLUDED



M8x75 1x4



M6x30 Jx4


M5 Kx1


400mm Lx4

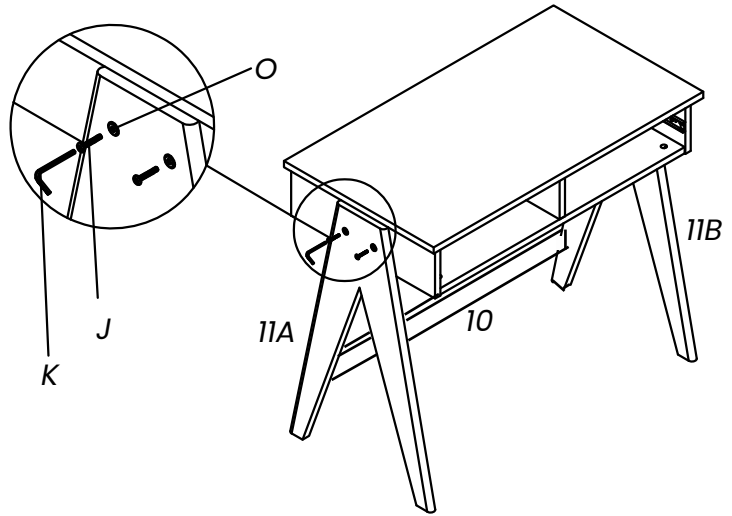
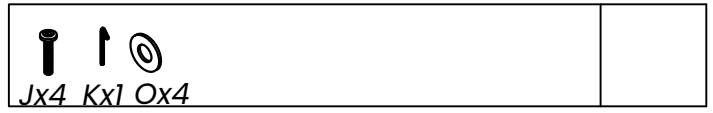

 $\phi 12 \times 12$ Mx16


M6x24 Nx16

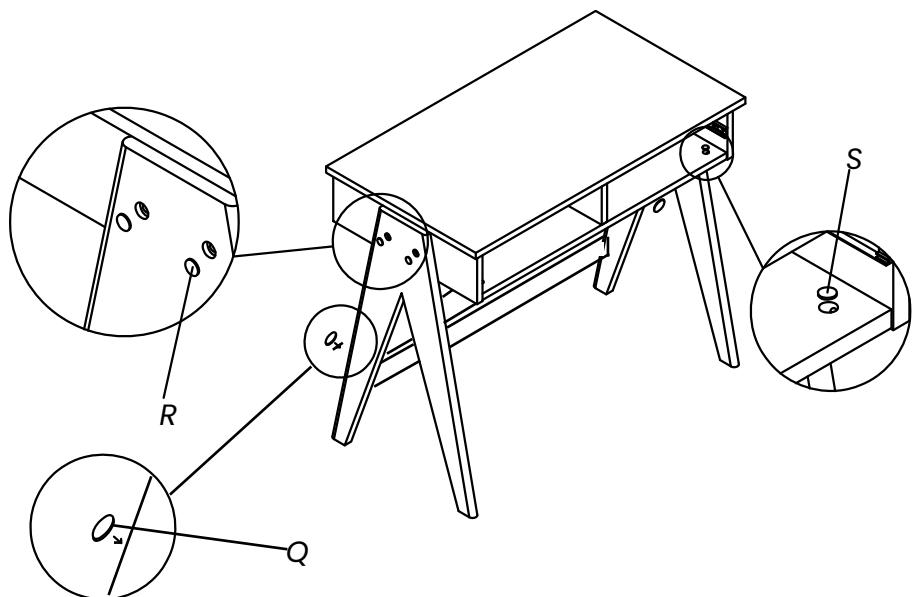
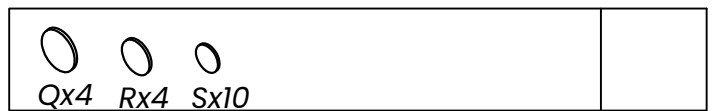

 $\phi 16 \times M6 \times 1.5$ Ox4


M6x37 Px3

STEP 7



STEP 8





Campbell Large Desk, Black

CF_21519/BLK

PRODUCT PARTS INCLUDED



$\phi 45$

Qx4



$\phi 25$

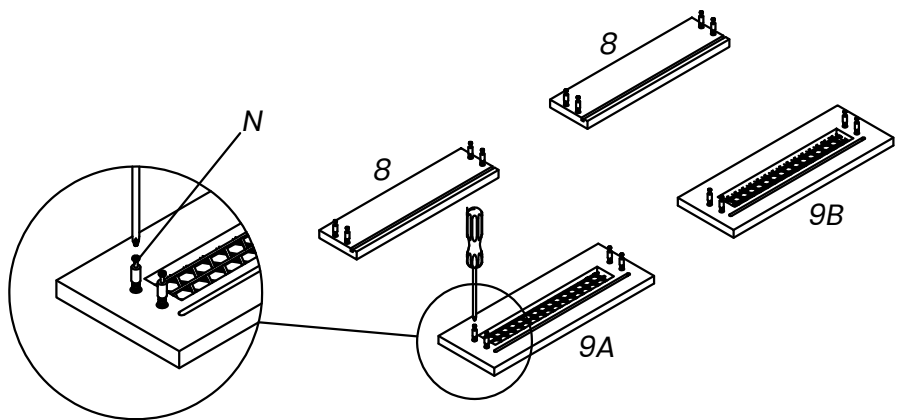
Rx4



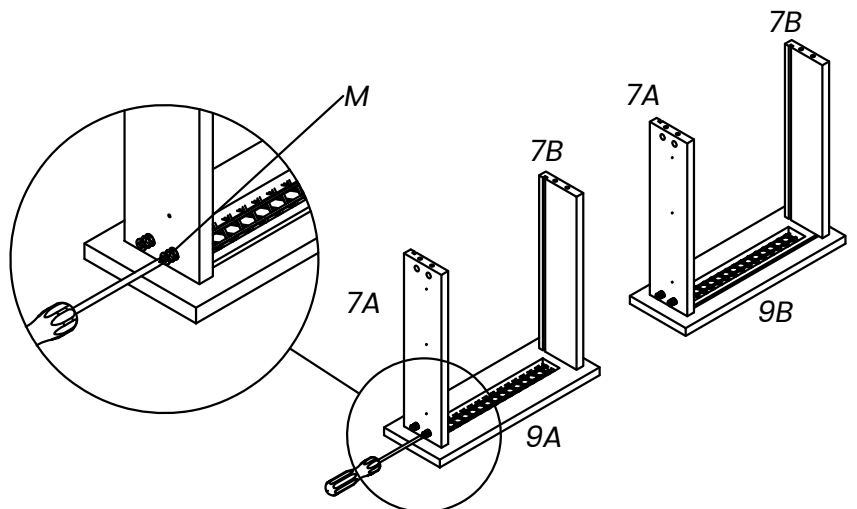
$\phi 20$

Sx10

STEP 9



STEP 10

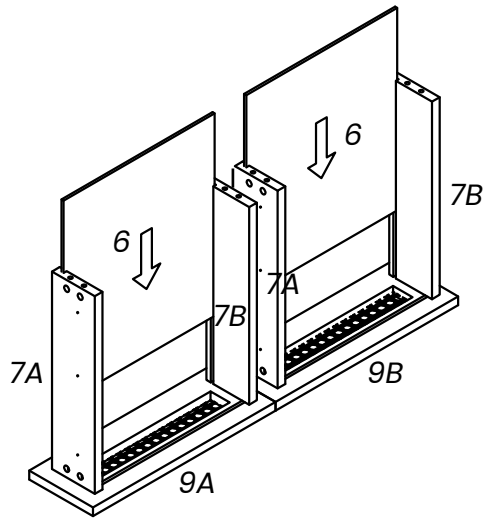




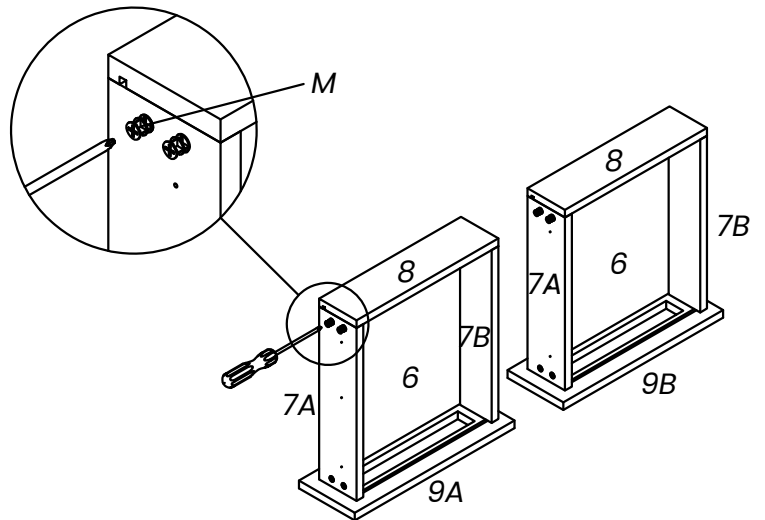
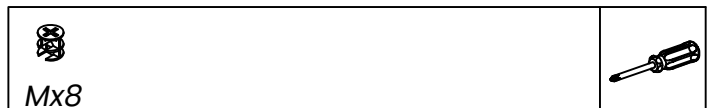
Campbell Large Desk, Black

CF_21519/BLK

STEP 11



STEP 12

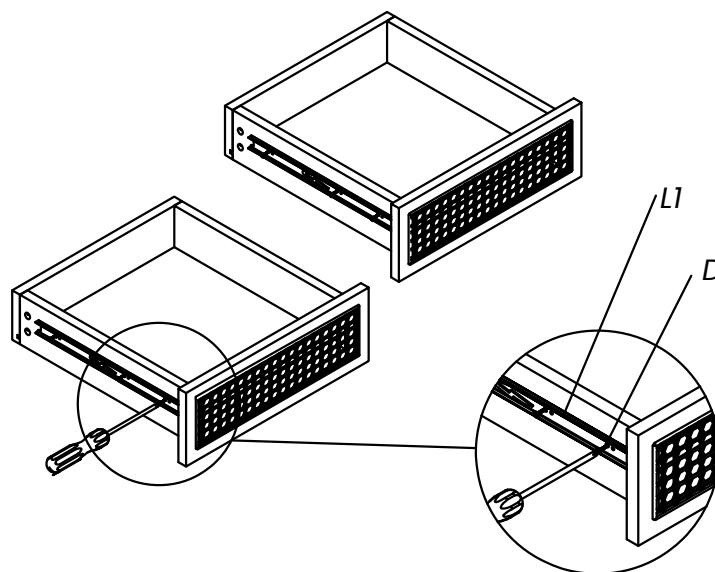
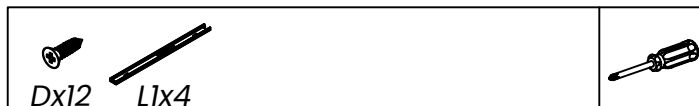




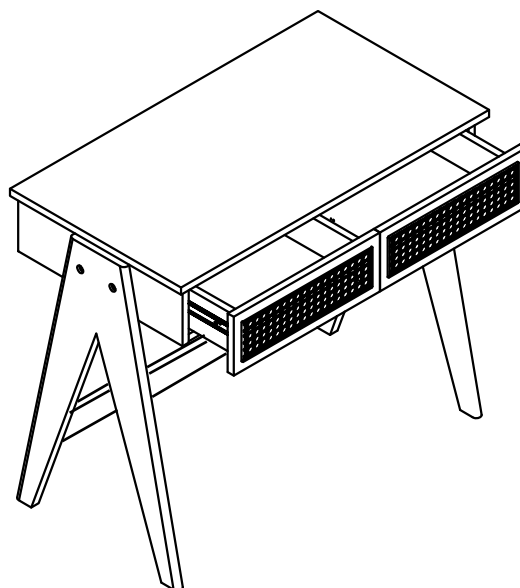
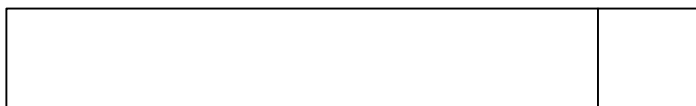
Campbell Large Desk, Black

CF_21519/BLK

STEP 13



STEP 14

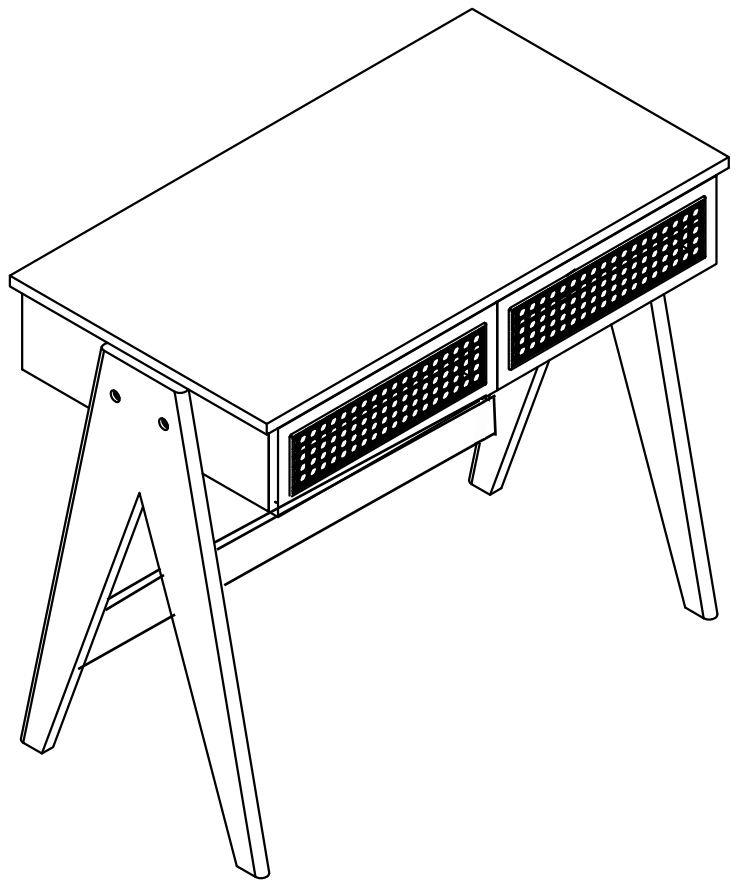




Campbell Large Desk, Black

CF_21519/BLK

STEP 15



Assembled