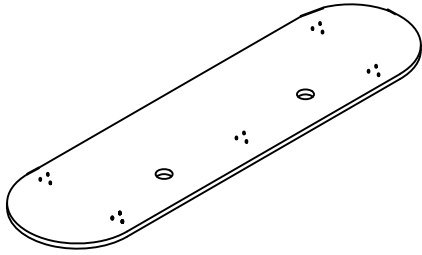


Mika TV Unit, Walnut & Black
CF_2251/WAL/BLK

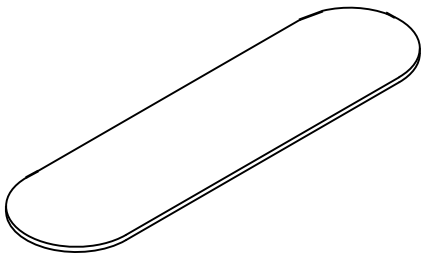
PRODUCT PARTS INCLUDED

1



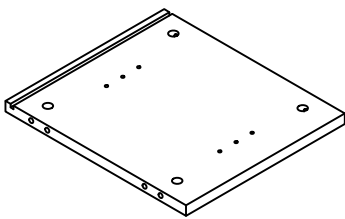
x1

2



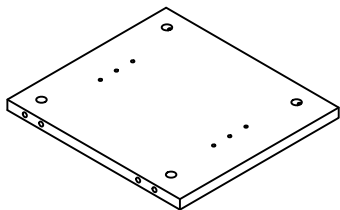
x1

3



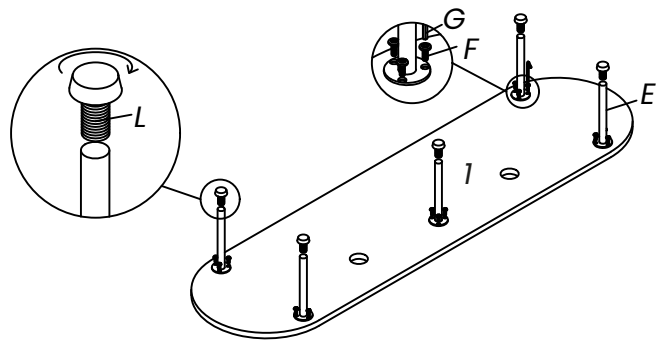
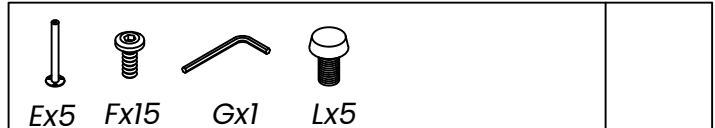
x2

4

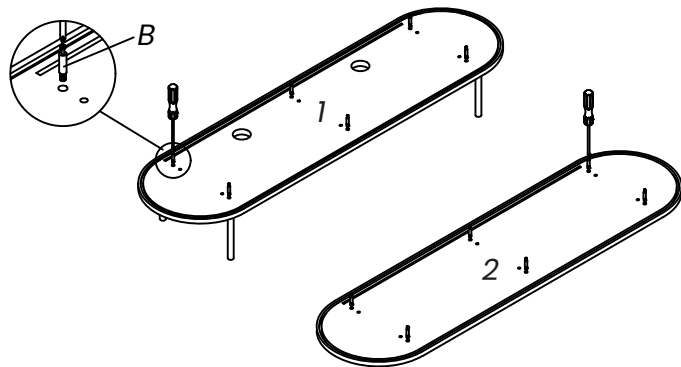
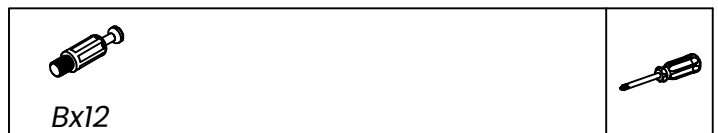


x1

STEP 1



STEP 2



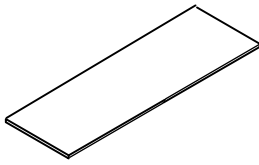


Mika TV Unit, Walnut & Black

CF_2251/WAL/BLK

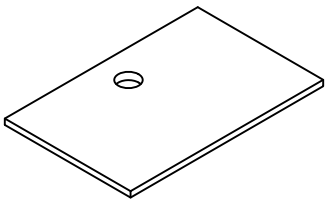
PRODUCT PARTS INCLUDED

5



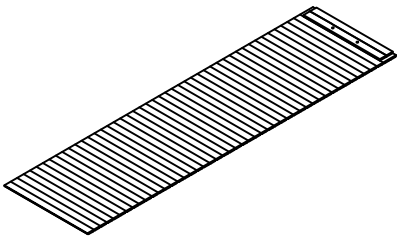
x1

6



x2

7

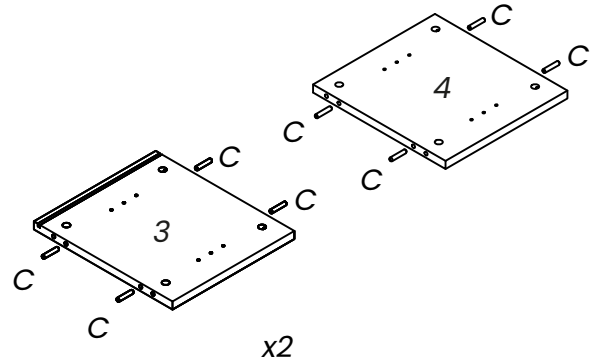


x2

STEP 3



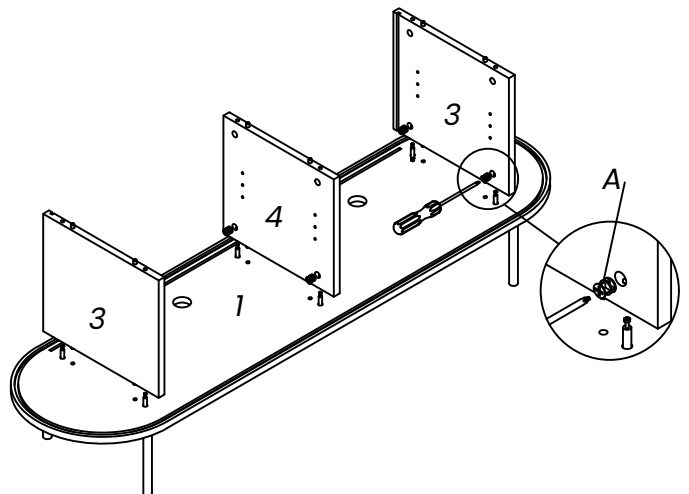
Cx12



STEP 4



Ax6





Mika TV Unit, Walnut & Black

CF_2251/WAL/BLK

PRODUCT PARTS INCLUDED



ϕ 15x12

Ax12



M6x35

Bx12



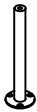
ϕ 8x40

Cx12



M3.5x15

Dx6



Ex5



M6x12

Fx15



M4

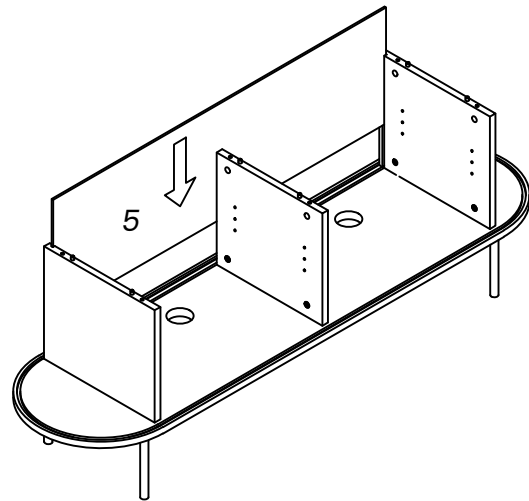
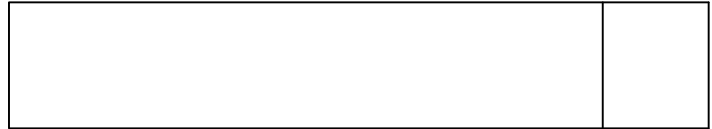
Gx1



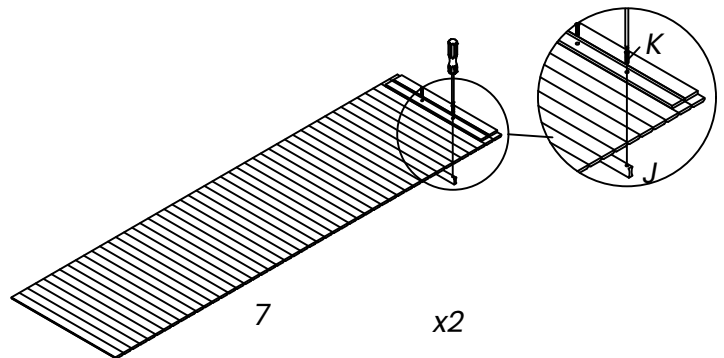
M10x17

Hx6

STEP 5



STEP 6





Mika TV Unit, Walnut & Black

CF_2251/WAL/BLK

PRODUCT PARTS INCLUDED



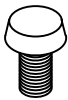
M10x16 Ix8



M15x110 Jx2



M4x14 Kx4

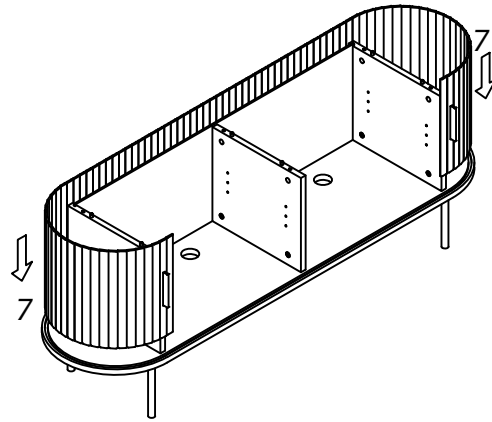


φ20x25 Lx5

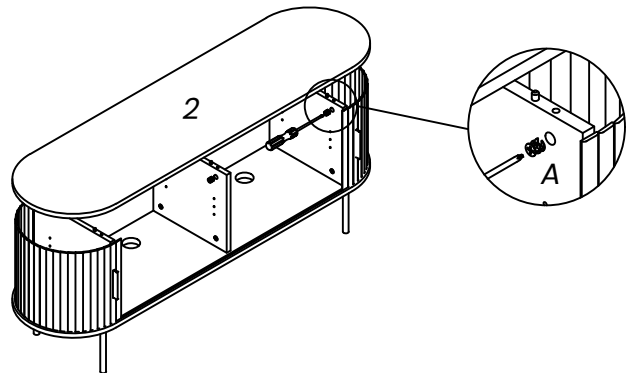
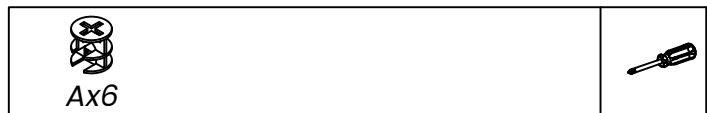


φ20 Mx12

STEP 7



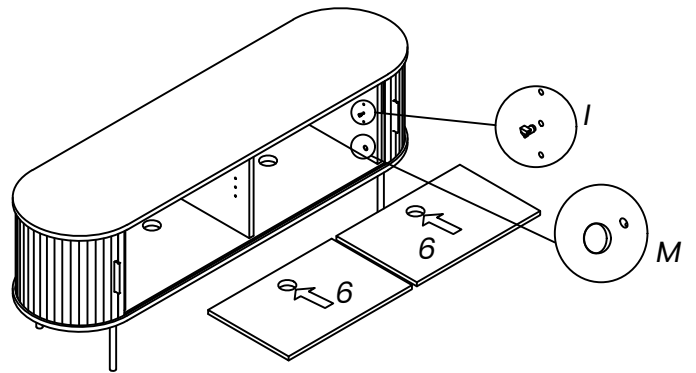
STEP 8



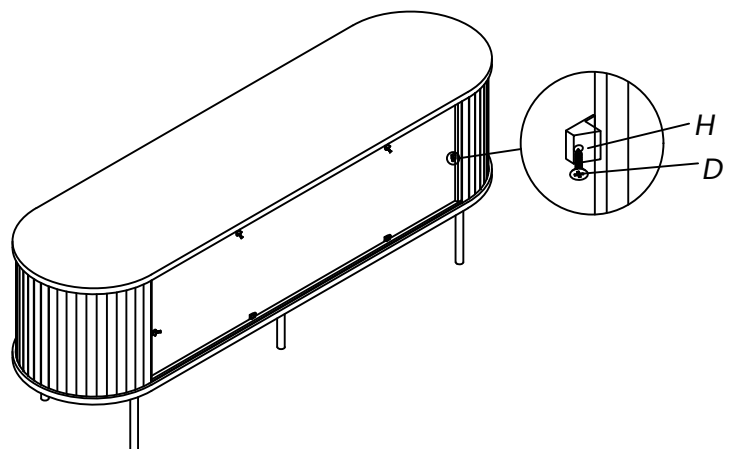
Mika TV Unit, Walnut & Black

CF_2251/WAL/BLK

STEP 9



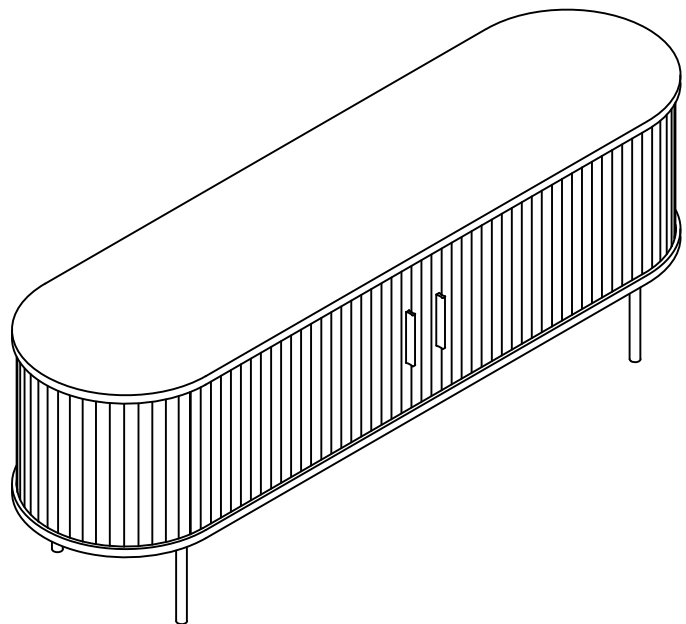
STEP 10





Mika TV Unit, Walnut & Black
CF_2251/WAL/BLK

STEP 11



Assembled