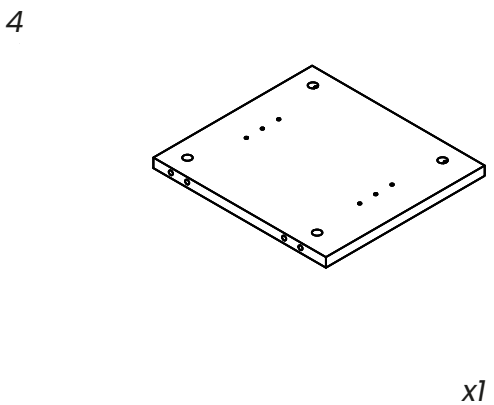
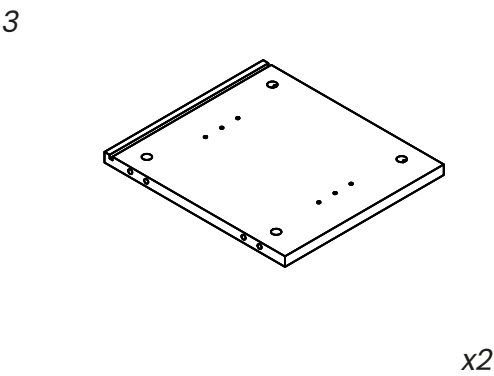
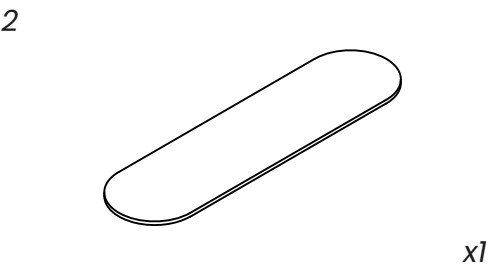
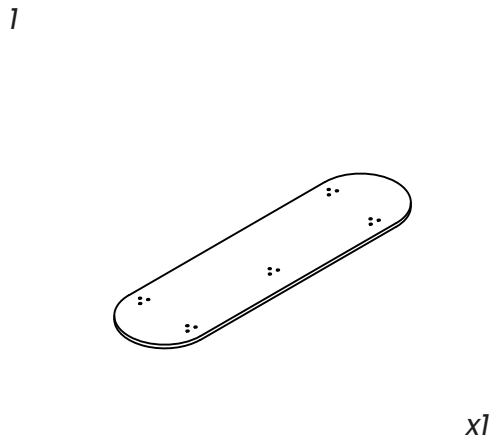


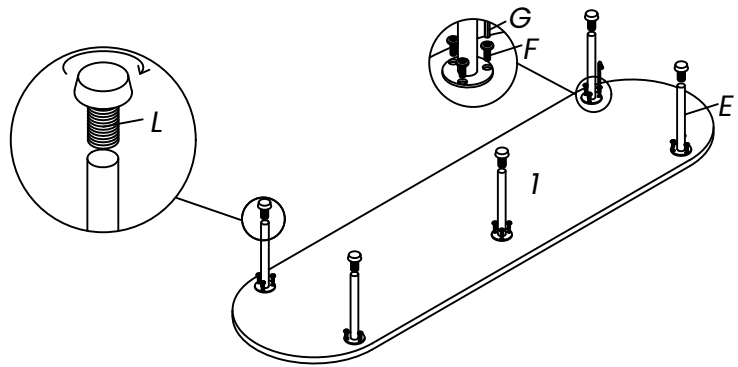
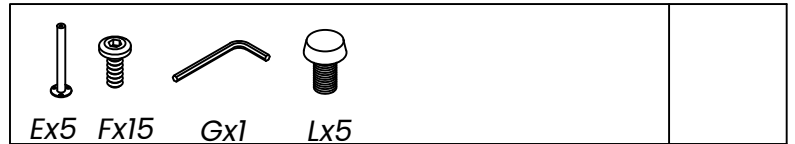
Mika Large Sideboard, Walnut & Black

CF_2253/WAL/BLK

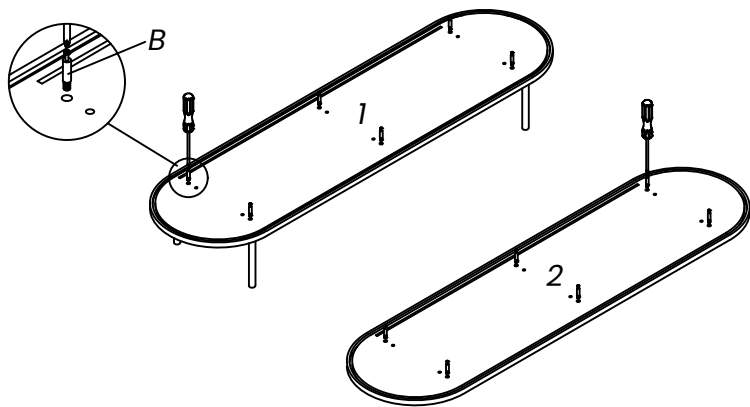
PRODUCT PARTS INCLUDED



STEP 1



STEP 2



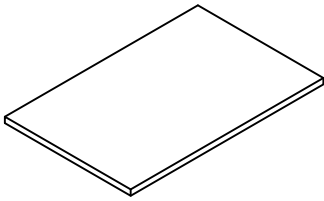


Mika Large Sideboard, Walnut & Black

CF_2253/WAL/BLK

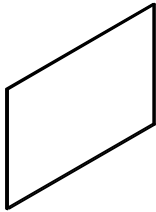
PRODUCT PARTS INCLUDED

5



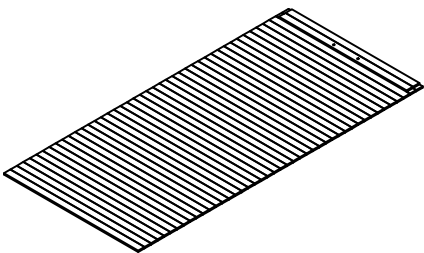
x2

6



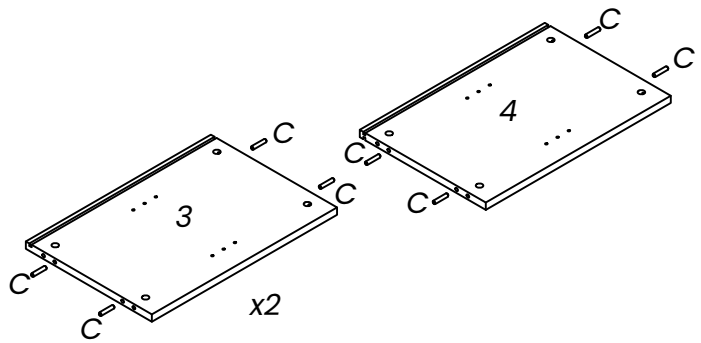
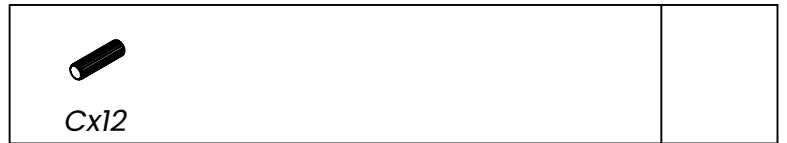
x2

7

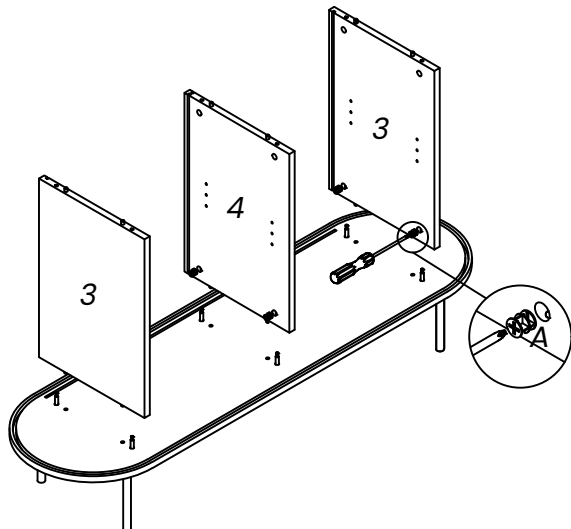
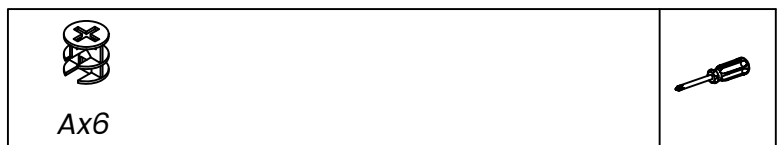


x2

STEP 3



STEP 4





Mika Large Sideboard, Walnut & Black

CF_2253/WAL/BLK

PRODUCT PARTS INCLUDED



$\phi 15 \times 12$

Ax12



M6x35

Bx12



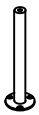
$\phi 8 \times 40$

Cx12



M3.5x15

Dx8



Ex5



$\phi 10 \times 15$

Fx15



M4

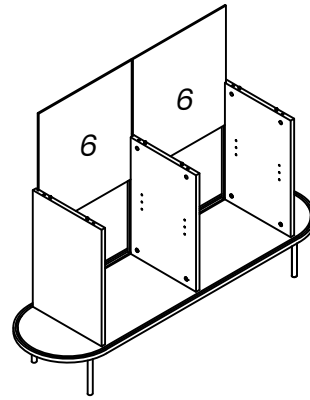
Gx1



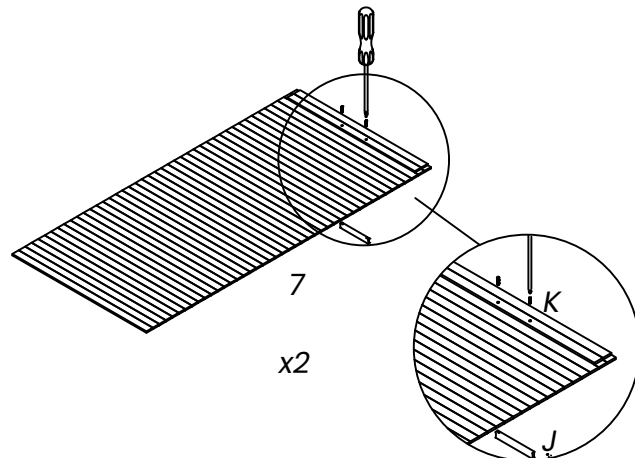
M10x17

Hx8

STEP 5



STEP 6





Mika Large Sideboard, Walnut & Black

CF_2253/WAL/BLK

PRODUCT PARTS INCLUDED



M10x16

1x8



M15x110

Jx2



φ7x15

Kx4



φ20x25

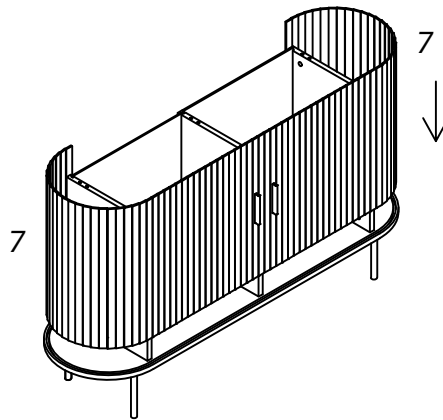
Lx5



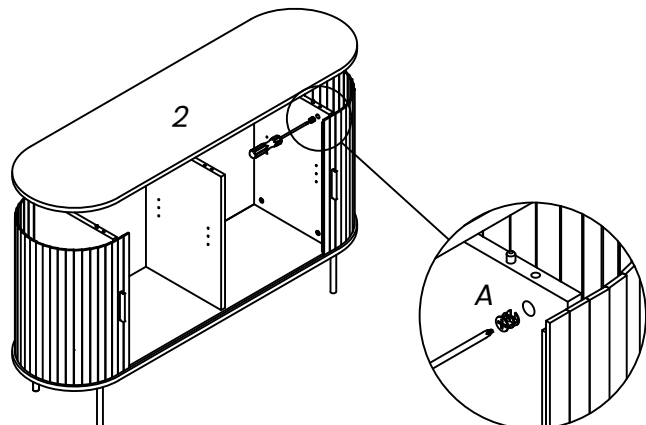
φ20

Mx12

STEP 7



STEP 8

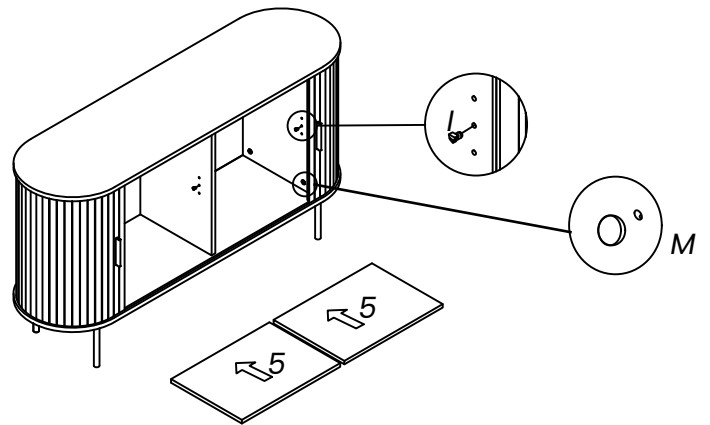
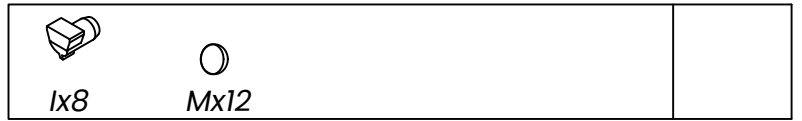




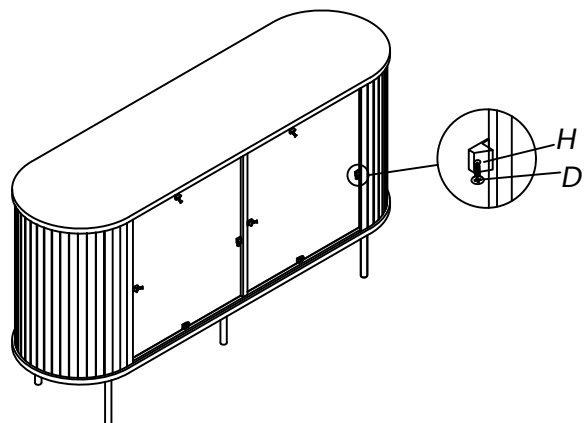
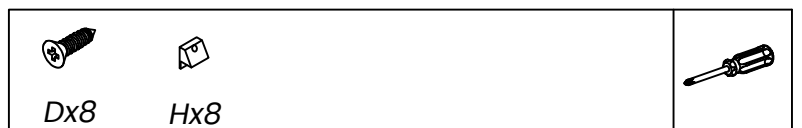
Mika Large Sideboard, Walnut & Black

CF_2253/WAL/BLK

STEP 9



STEP 10

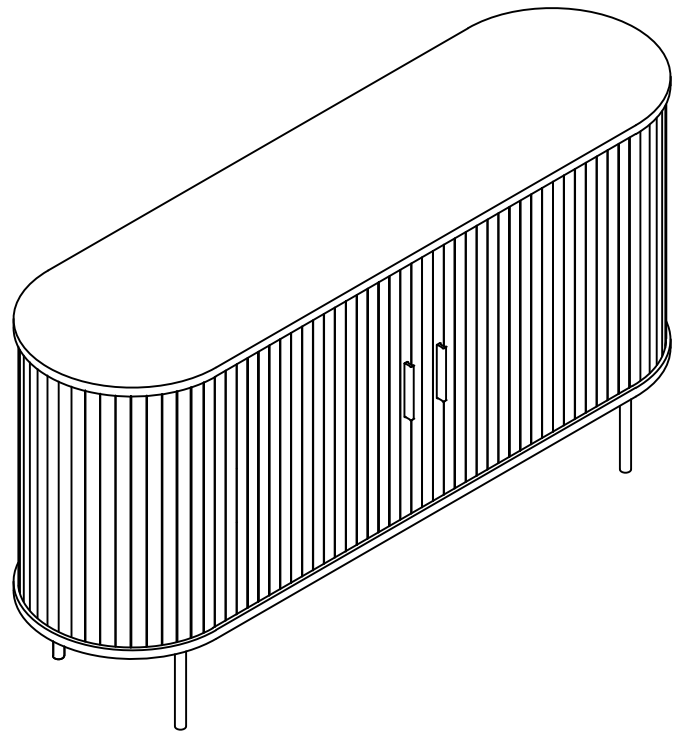




Mika Large Sideboard, Walnut & Black

CF_2253/WAL/BLK

STEP 11



Assembled