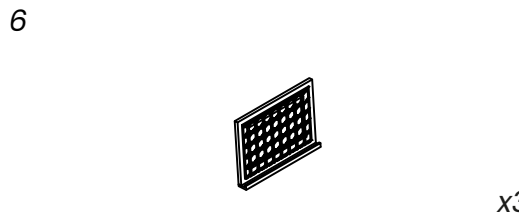
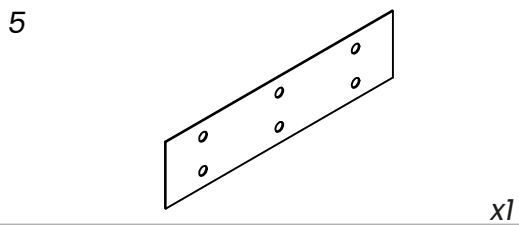
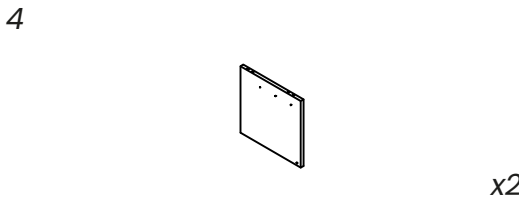
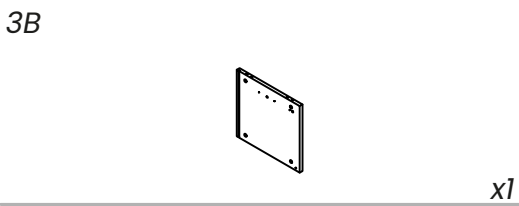
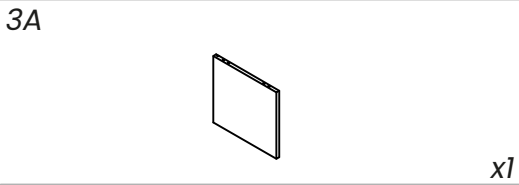
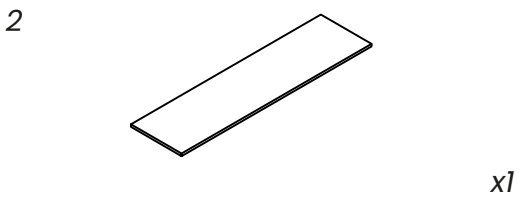
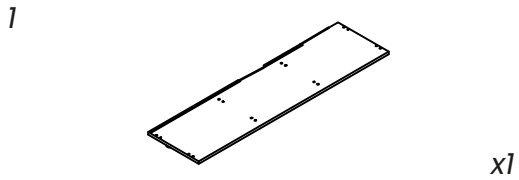


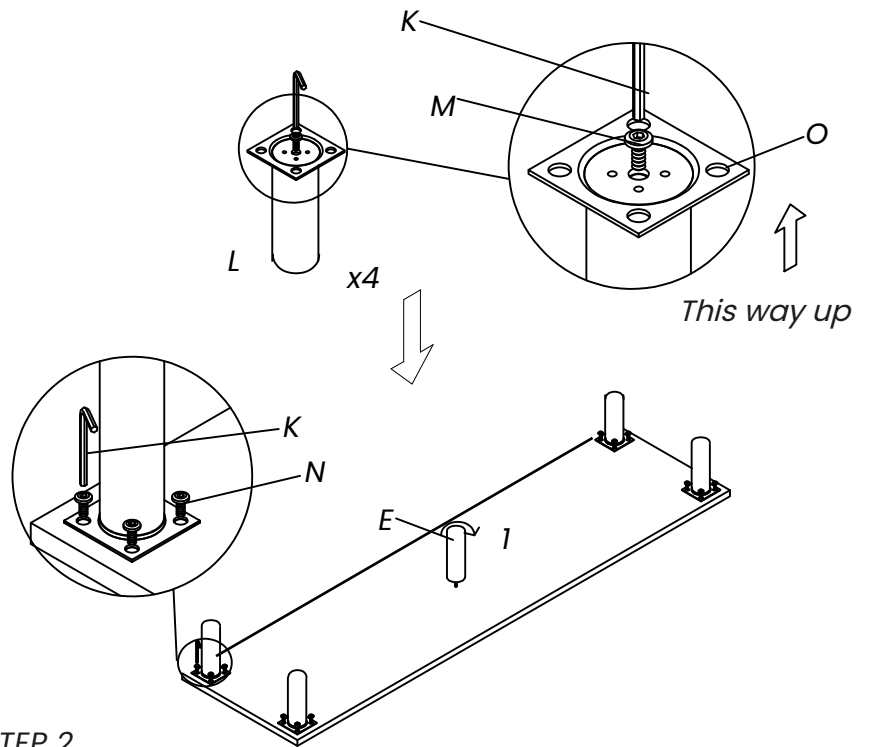
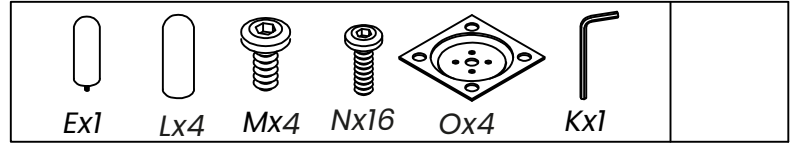
# Soller Large TV Stand, Walnut Effect & Cane

CF\_2293/WAL/CANE

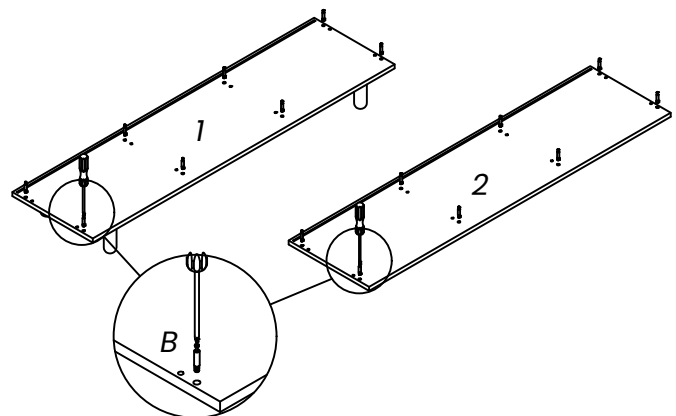
## PRODUCT PARTS INCLUDED



### STEP 1



### STEP 2





# Soller Large TV Stand, Walnut Effect & Cane

CF\_2293/WAL/CANE

## PRODUCT PARTS INCLUDED

  $\phi 15 \times 12$  Ax16

 M6x35 Bx16


  $\phi 8 \times 40$  Cx16

 M3.5x15 Dx36

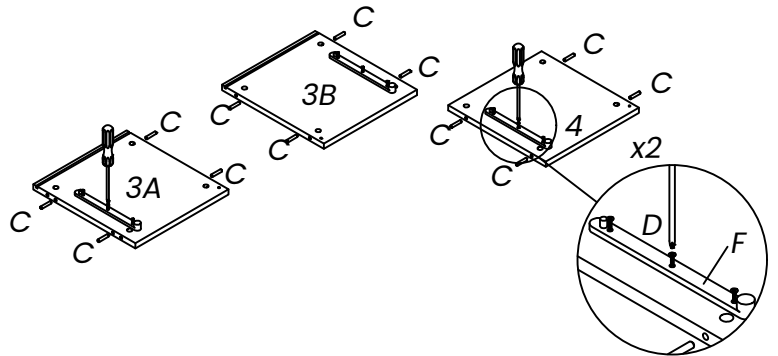
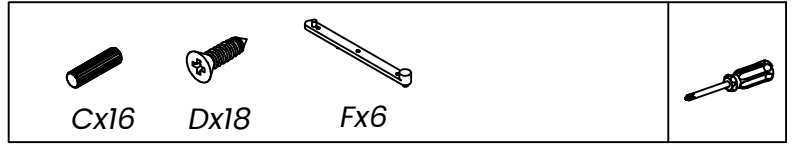
 Ex1

 Fx6

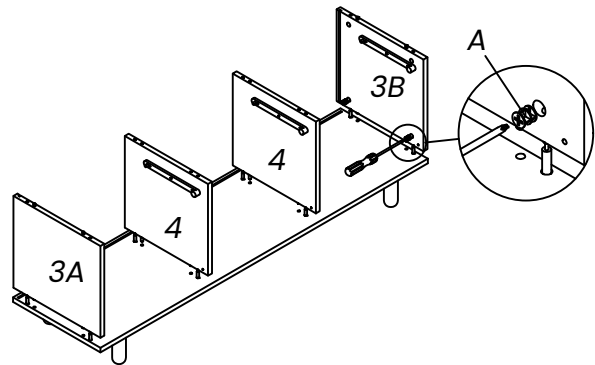
 Gx6

 Hx6

## STEP 3



## STEP 4





# Soller Large TV Stand, Walnut Effect & Cane

CF\_2293/WAL/CANE

## PRODUCT PARTS INCLUDED



Ix6



φ20

Jx25



Kx1



Lx4



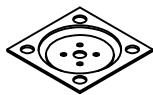
M8x10

Mx4



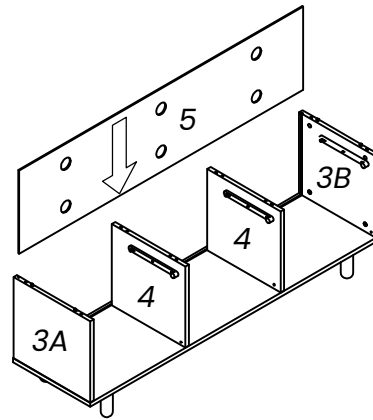
M6x12

Nx16

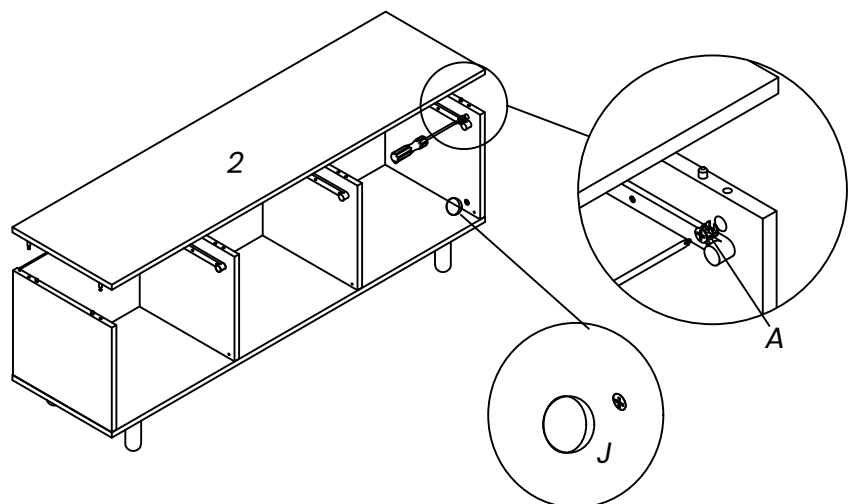


Ox4

## STEP 5



## STEP 6

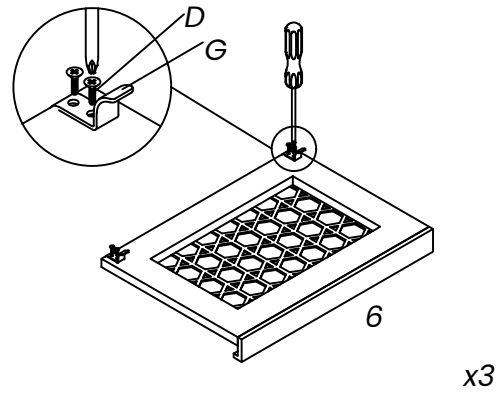
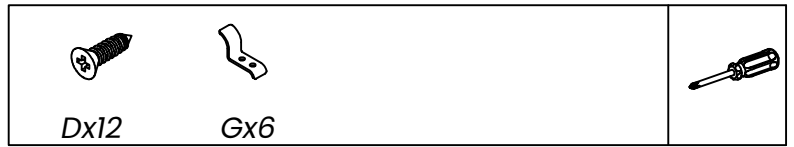


C

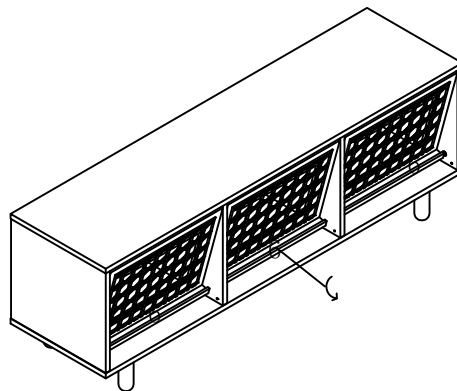
# Soller Large TV Stand, Walnut Effect & Cane

CF\_2293/WAL/CANE

## STEP 7



## STEP 8

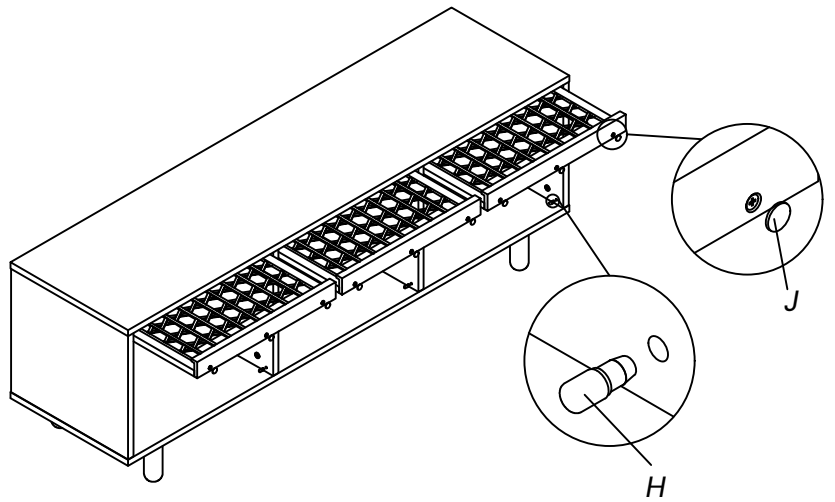


C

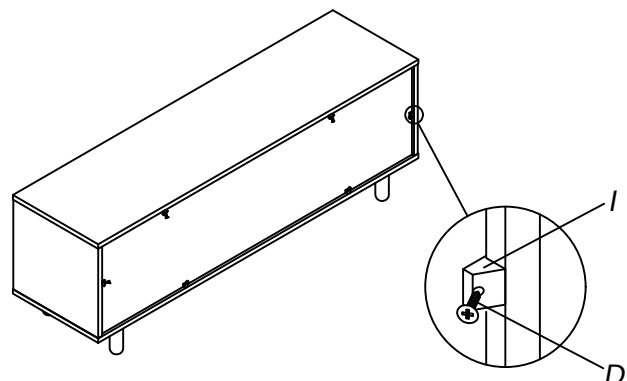
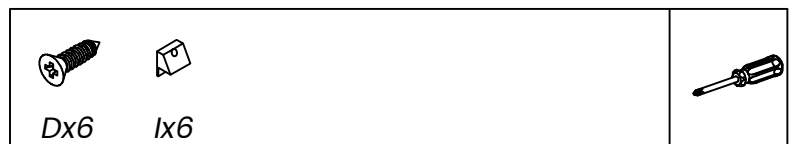
# Soller Large TV Stand, Walnut Effect & Cane

CF\_2293/WAL/CANE

## STEP 9



## STEP 10

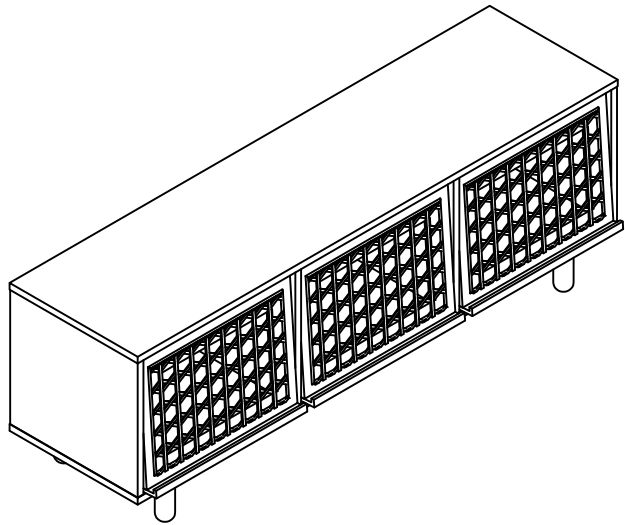




## Soller Large TV Stand, Walnut Effect & Cane

CF\_2293/WAL/CANE

*STEP 11*



*Assembled*