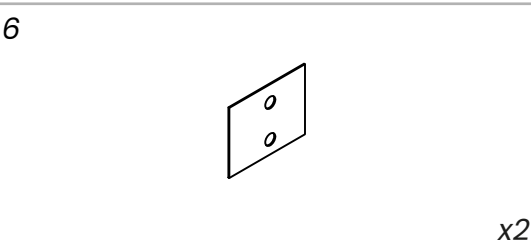
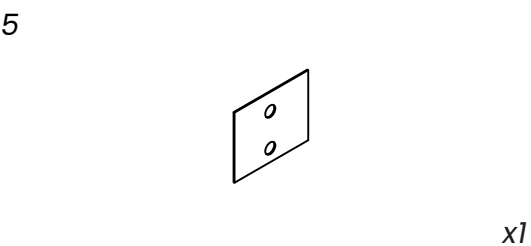
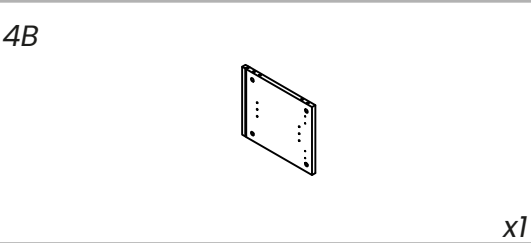
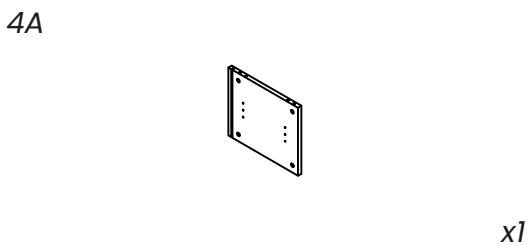
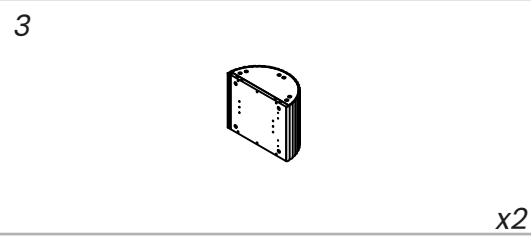
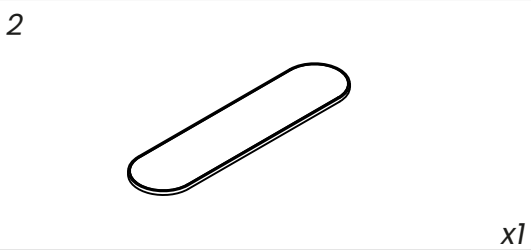
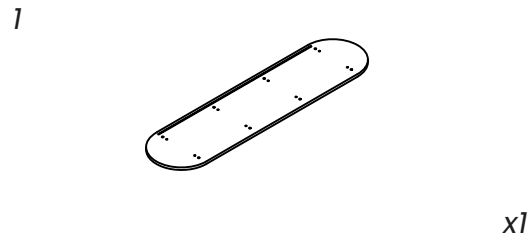




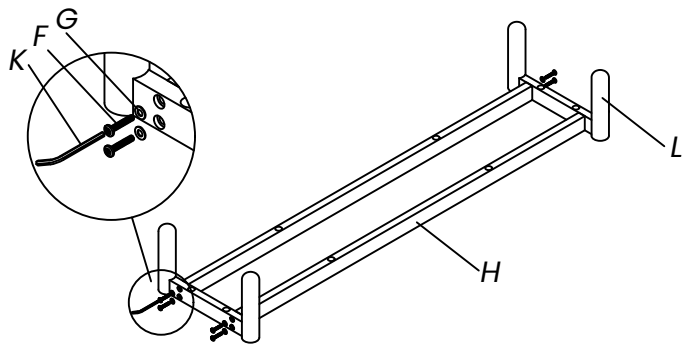
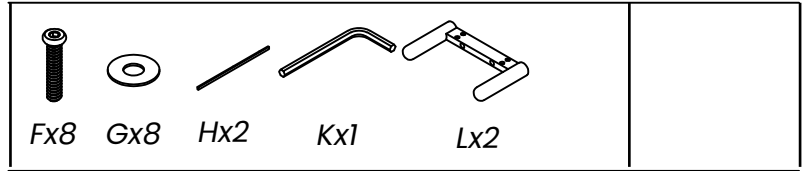
Santana TV Stand

CF_HE2372-1

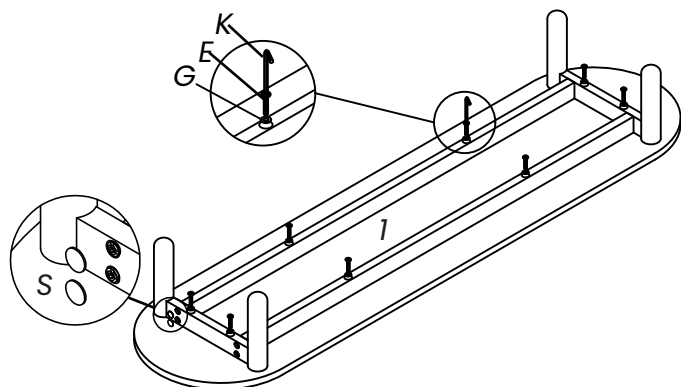
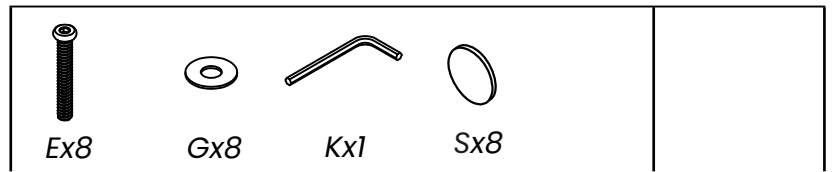
PRODUCT PARTS INCLUDED



STEP 1



STEP 2



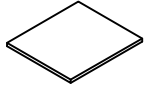


Santana TV Stand

CF_HE2372-1

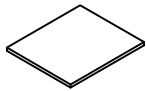
PRODUCT PARTS INCLUDED

7



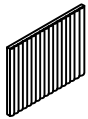
x1

8



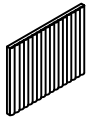
x2

9A



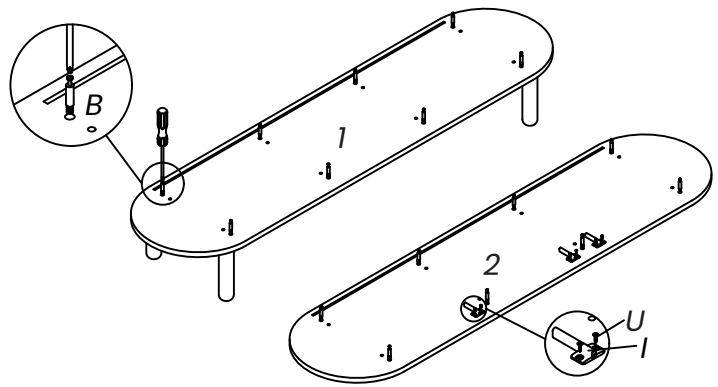
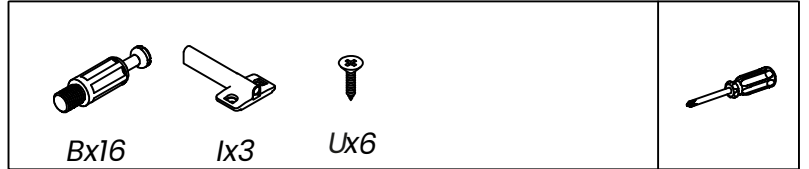
x1

9B

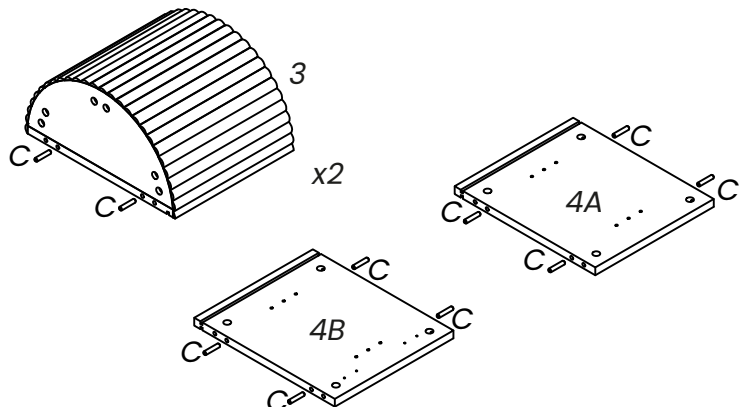
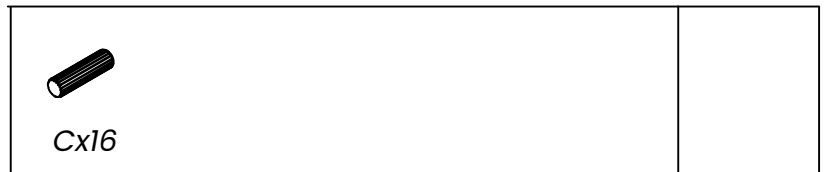


x2

STEP 3



STEP 4



Santana TV Stand

CF_HE2372-1

PRODUCT PARTS INCLUDED



$\phi 15 \times 12$

Ax16



M6x35

Bx16



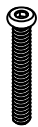
$\phi 8 \times 40$

Cx16



M3.5x15

Dx48



M6x40

Ex8



M6x30

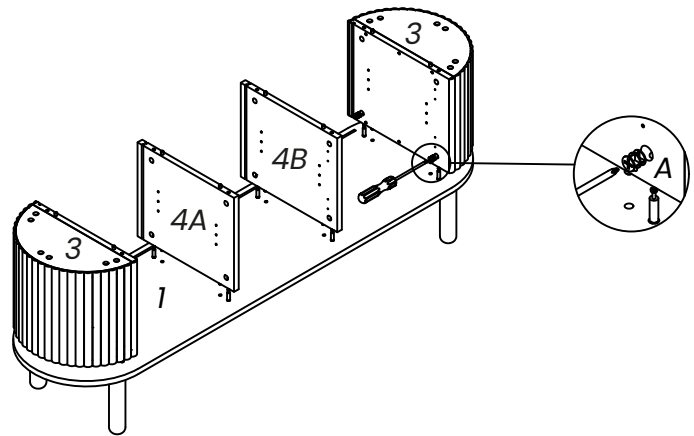
Fx8



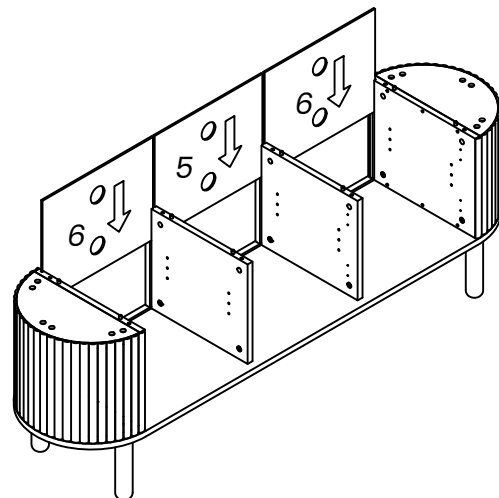
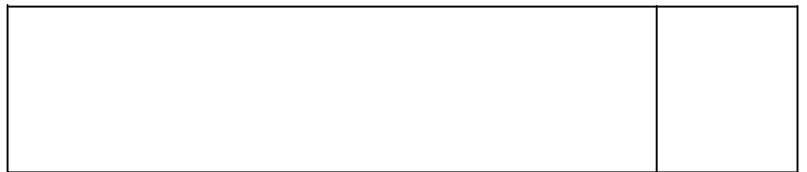
$\phi 6 \times 12 \times 1$

Gx16

STEP 5



STEP 6





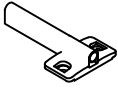
Santana TV Stand

CF_HE2372-1

PRODUCT PARTS INCLUDED



Hx2



Ix3

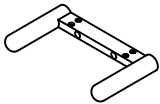


Jx12

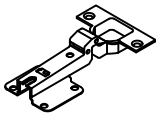


M5

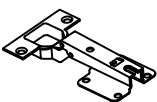
Kx1



Lx2

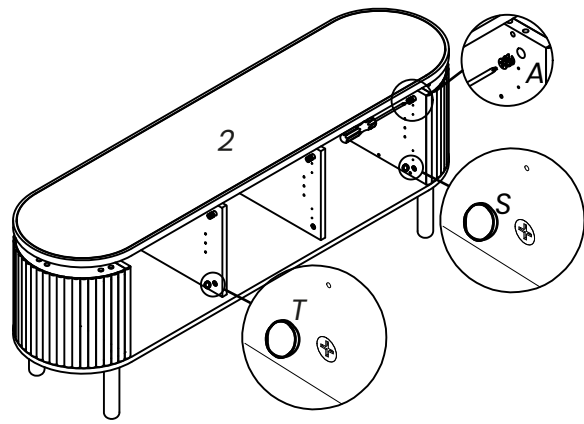
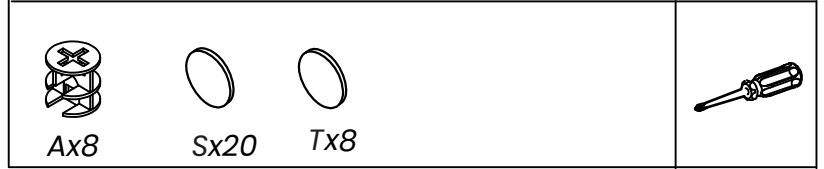


Mx4

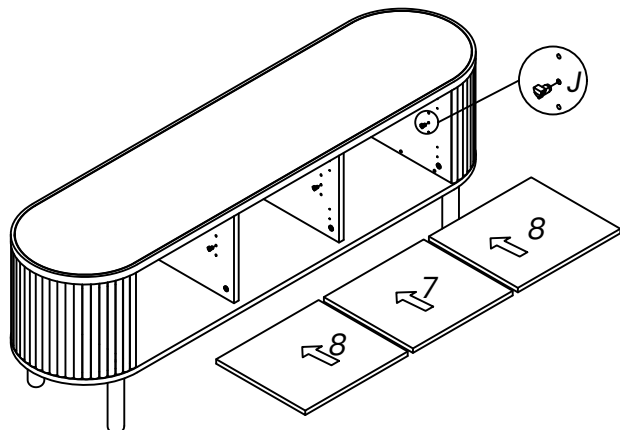


Nx2

STEP 7



STEP 8





Santana TV Stand

CF_HE2372-1

PRODUCT PARTS INCLUDED



Ox3



Px3



Qx3



Rx12



φ 20

Sx28



φ 20

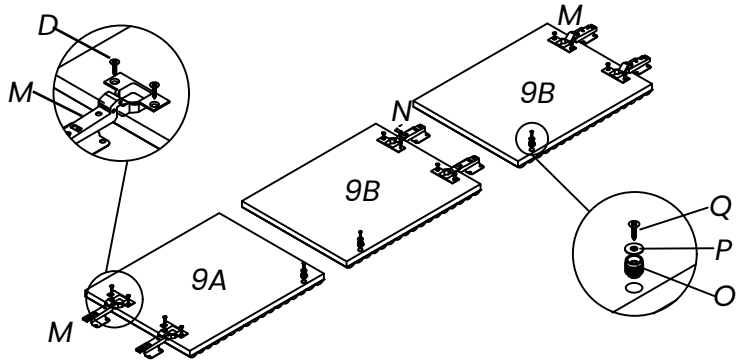
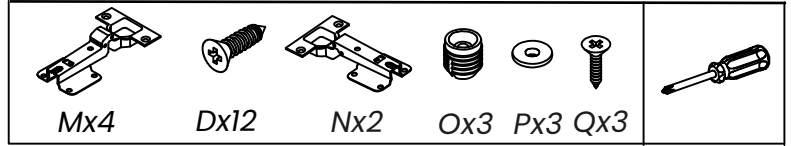
Tx8



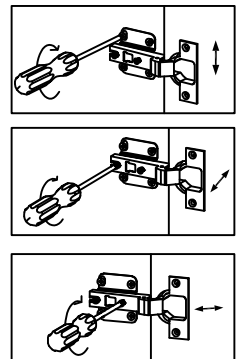
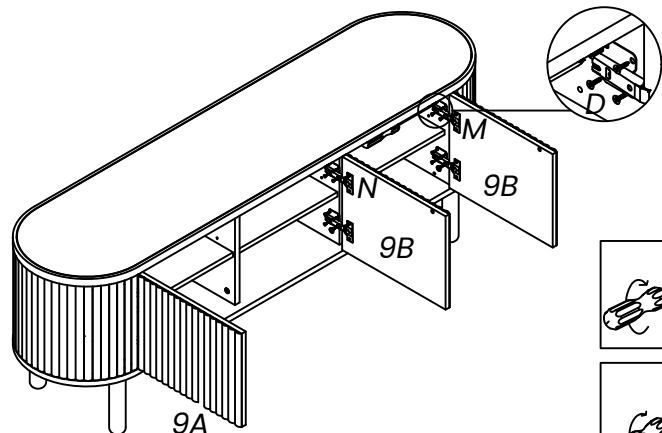
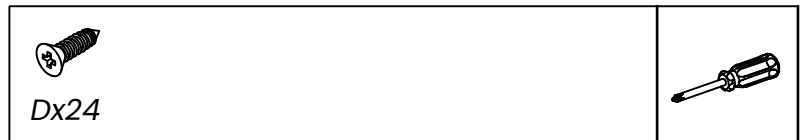
M3.5x12

Ux6

STEP 9



STEP 10

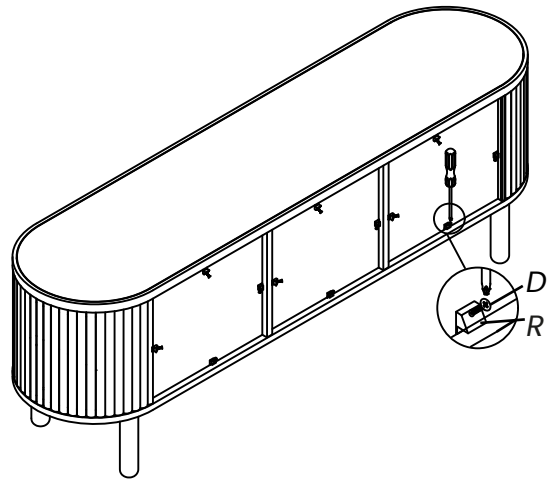




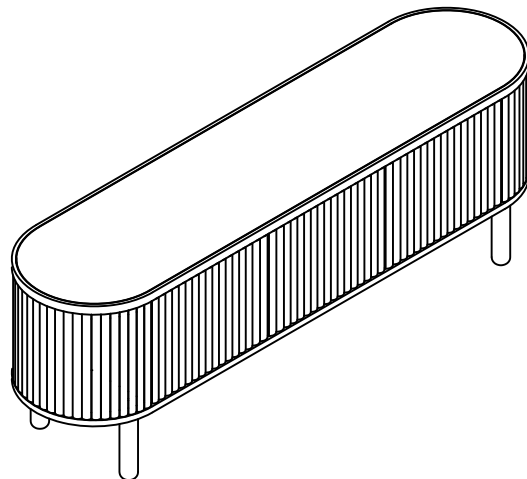
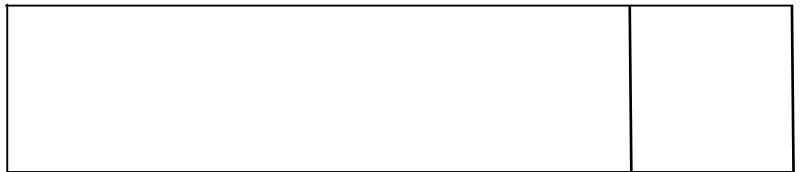
Santana TV Stand

CF_HE2372-1

STEP 11



STEP 12



Assembled