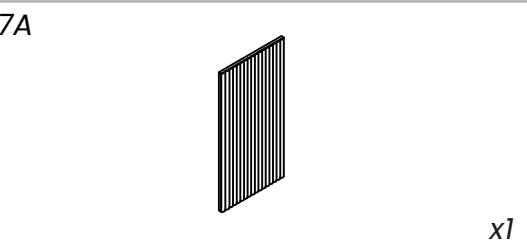
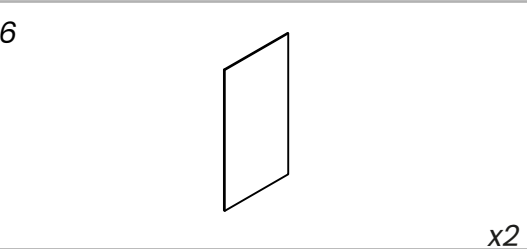
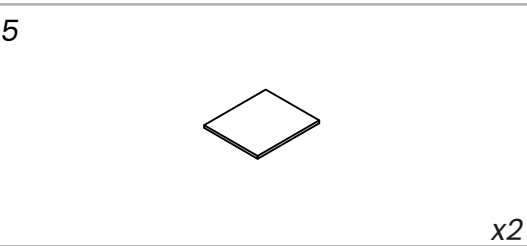
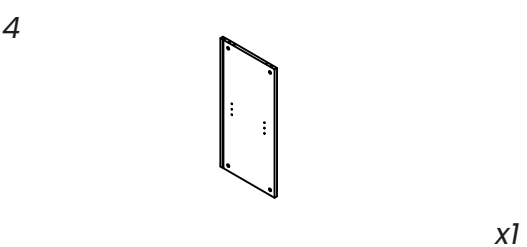
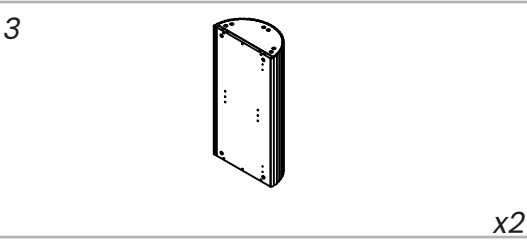
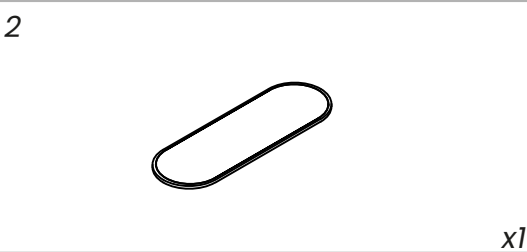
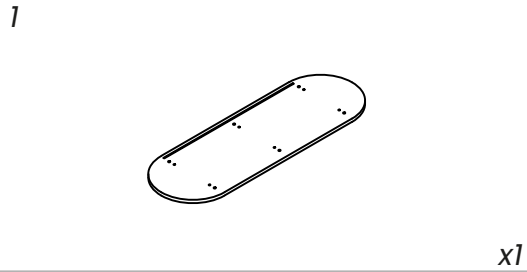




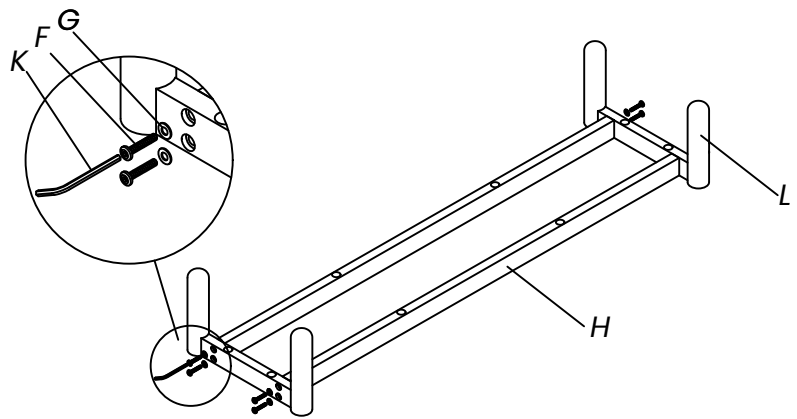
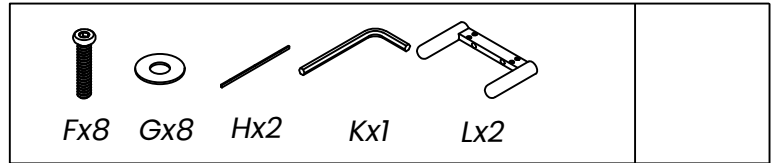
Santana Sideboard

CF_HE2374-1

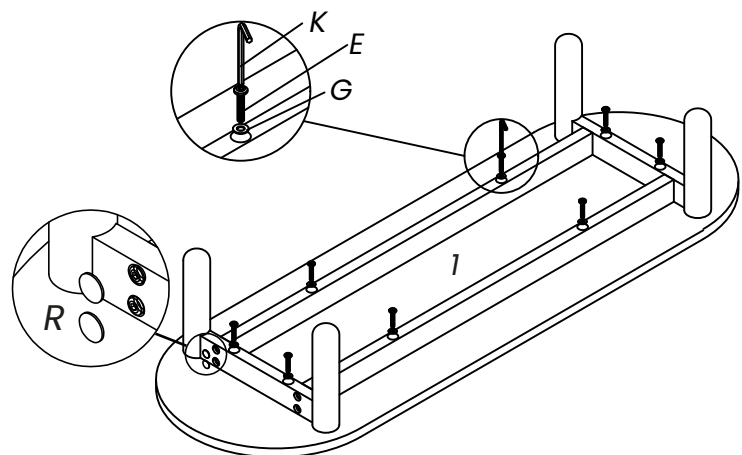
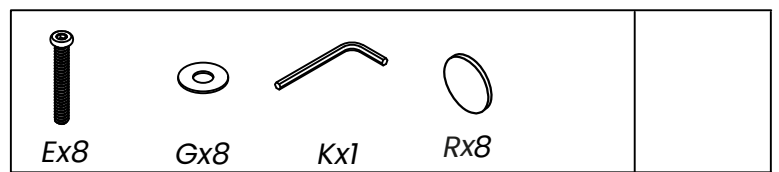
PRODUCT PARTS INCLUDED



STEP 1



STEP 2



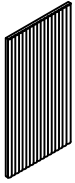


Santana Sideboard

CF_HE2374-1

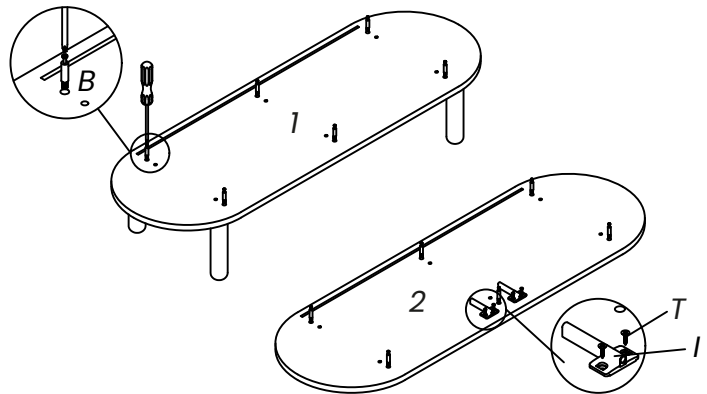
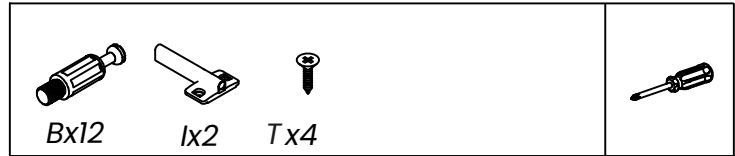
PRODUCT PARTS INCLUDED

7B

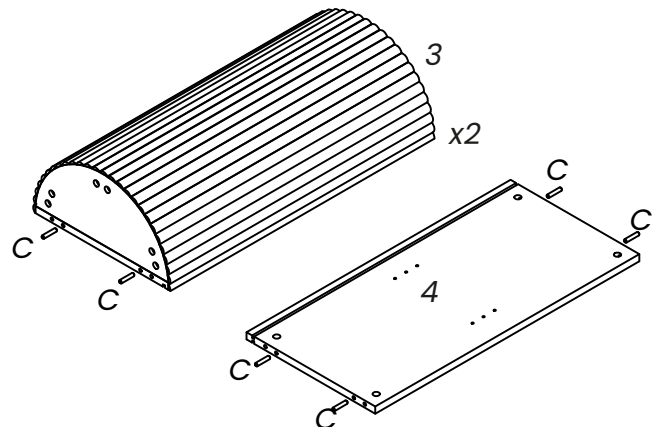


x1

STEP 3



STEP 4



Santana Sideboard

CF_HE2374-1

PRODUCT PARTS INCLUDED



$\phi 15 \times 12$

Ax12



M6x35

Bx12



$\phi 8 \times 40$

Cx12



M3.5x15

Dx32



M6x40

Ex8



M6x30

Fx8



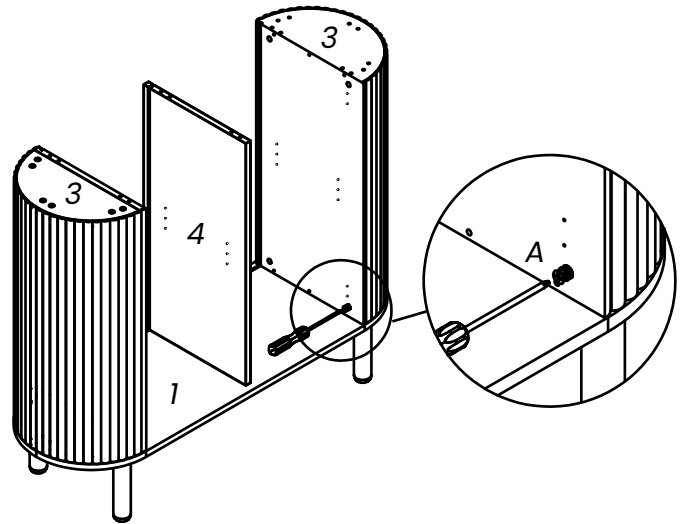
$\phi 12 \times M6 \times 1$

Gx16

STEP 5



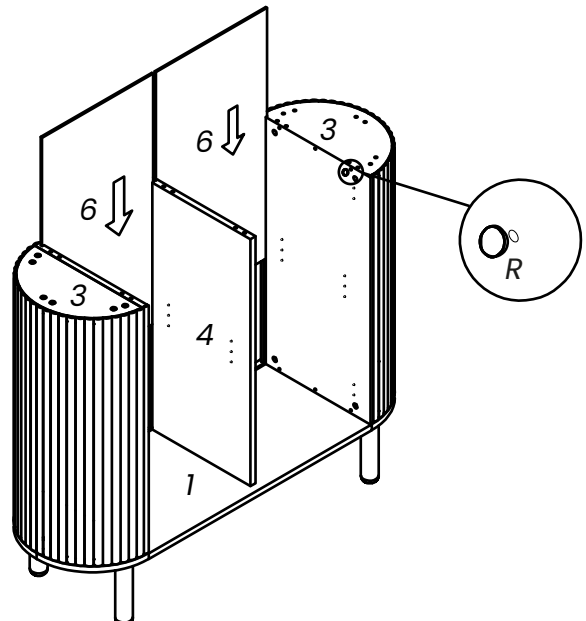
Ax6



STEP 6



Rx12





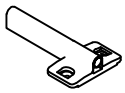
Santana Sideboard

CF_HE2374-1

PRODUCT PARTS INCLUDED



Hx2



Ix2

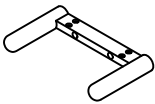


Jx8

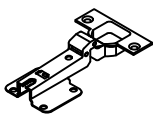


M5

Kx1



Lx2

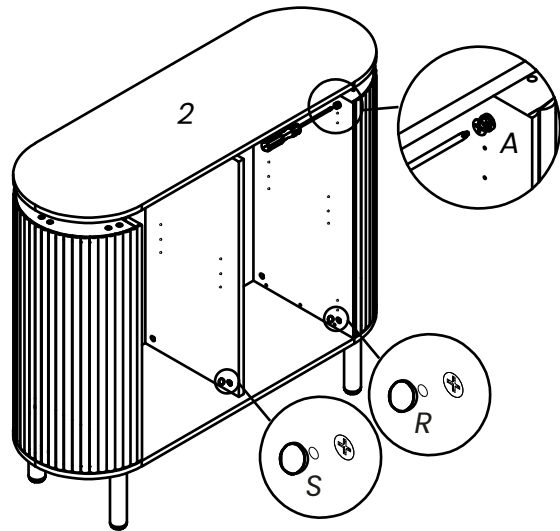


Mx4

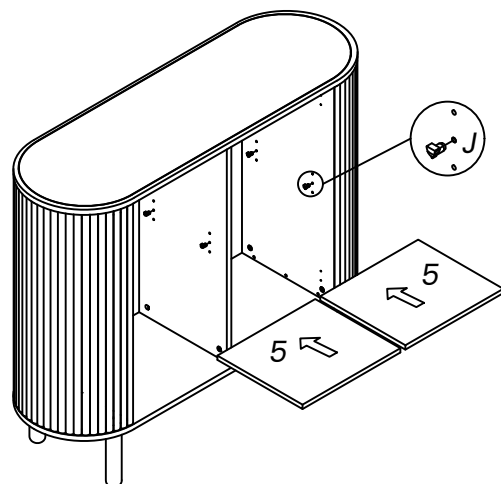


Nx8

STEP 7



STEP 8





Santana Sideboard

CF_HE2374-1

PRODUCT PARTS INCLUDED



Ox2



Px2



Qx2



φ 20

Rx28



φ 20

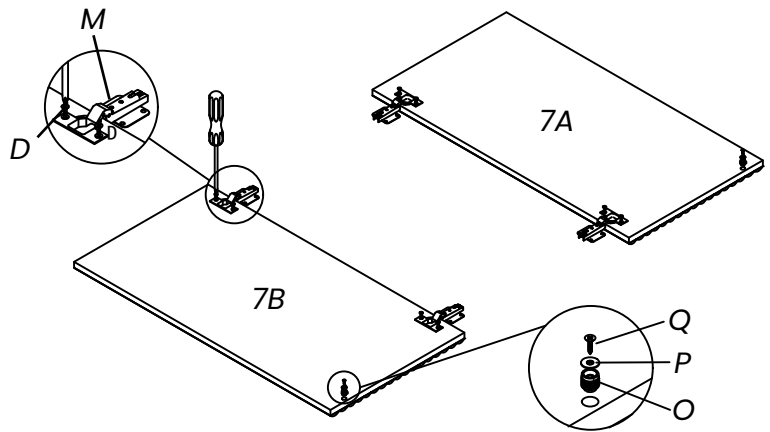
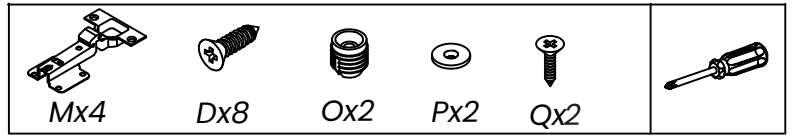
Sx4



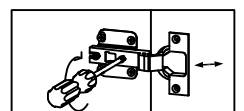
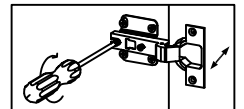
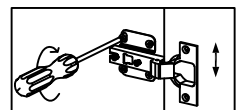
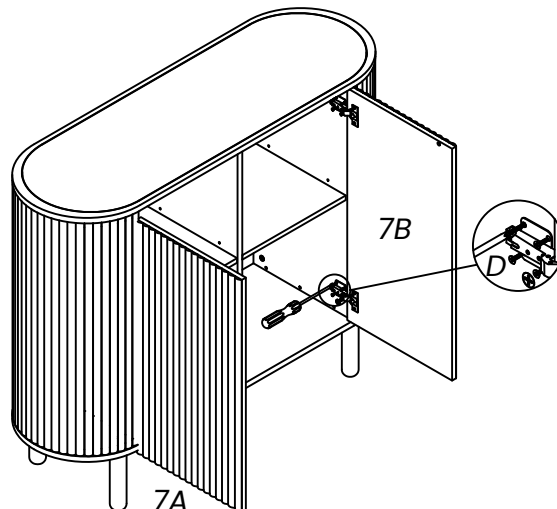
M3.5x12

Tx4

STEP 9



STEP 10

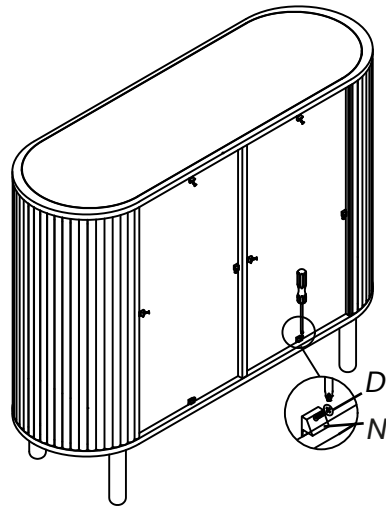




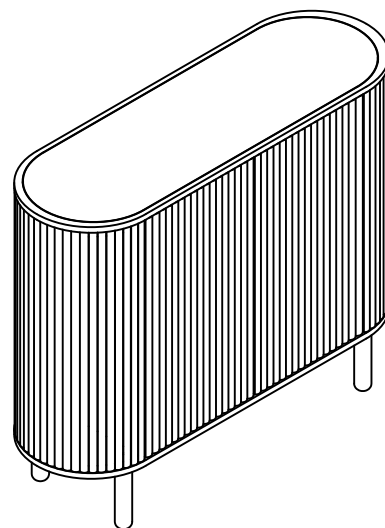
Santana Sideboard

CF_HE2374-1

STEP 11



STEP 12



Assembled