



# Mason Office Chair, Vintage Tan, Black and Green

CF-90-529G/VGRN-PU/BLK

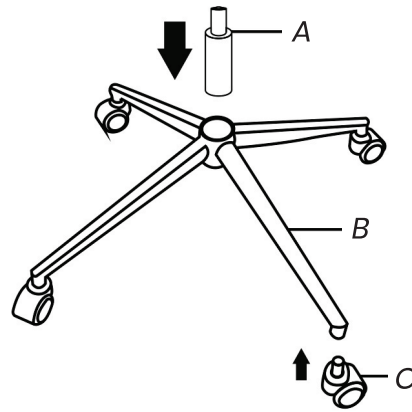
CF-90-529G/VTAN-PU/BLK

CF-90-529G/VBLK-PU/BLK

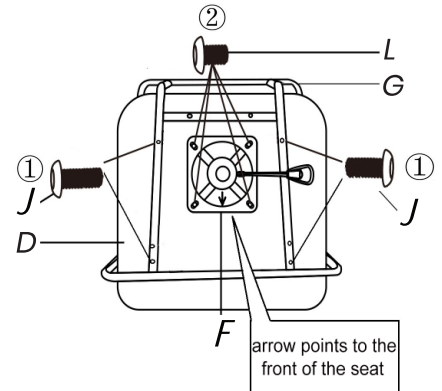
## PRODUCT PARTS INCLUDED

A	
B	
C	 WHEEL X 4
D	
E	
F	
G	
H	 ARMREST X 2
I	 6x40 SCREW X 4
J	 6x35 SCREW X 4
K	 6x30 SCREW X 4
L	 6x20 SCREW X 4
M	 WASHER X 4
N	 ALLEN WRENCH X1

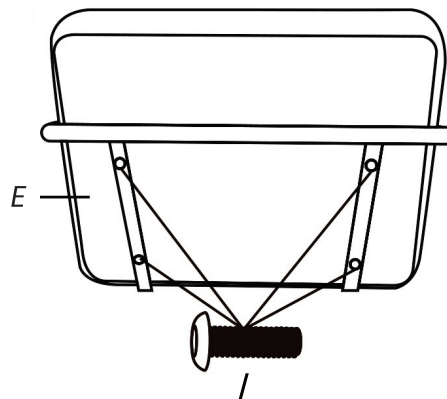
## STEP 1



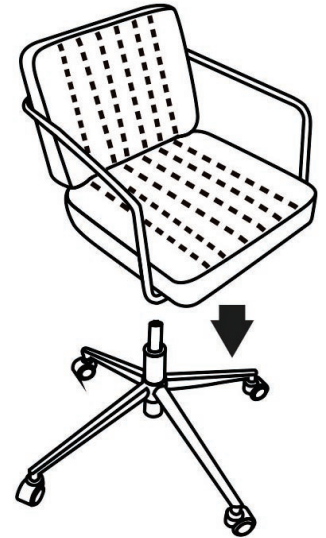
## STEP 2



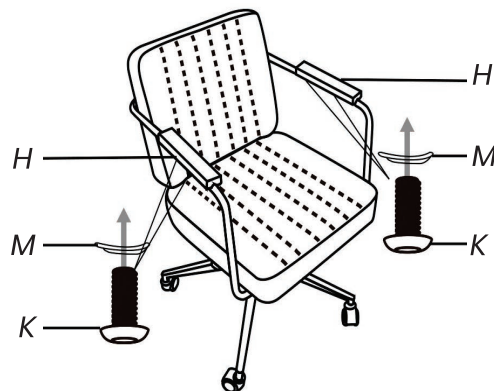
## STEP 3



## STEP 4



## STEP 5



## STEP 6

