

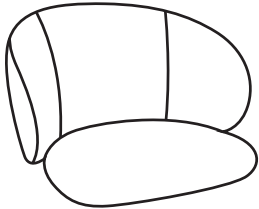
C

Cameron Dining Chair

CF_A-4031

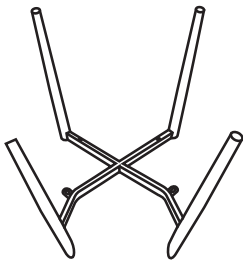
PRODUCT PARTS INCLUDED

A



SEAT x1

B



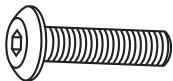
FRAME x1

C



SCREWS x2
M6*20mm

D



SCREWS x2
M6*50mm

E



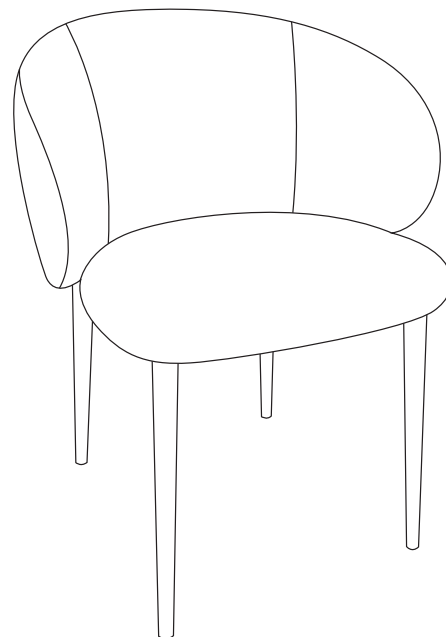
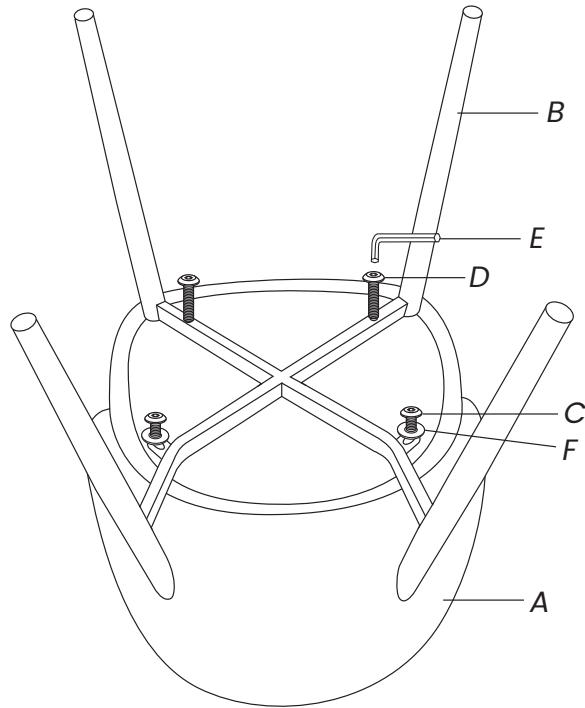
TOOL x1

F



WASHER x2

STEP 1



Assembled