

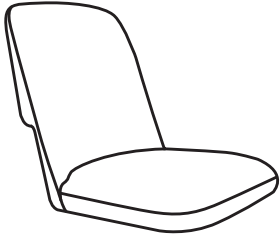
C

Amari Dining Chair

CF_A-4037

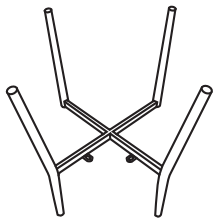
PRODUCT PARTS INCLUDED

A



SEAT x1

B



FRAME x1

C



SCREWS x2
M6*55mm

D



SCREWS x2
M6*55mm

E



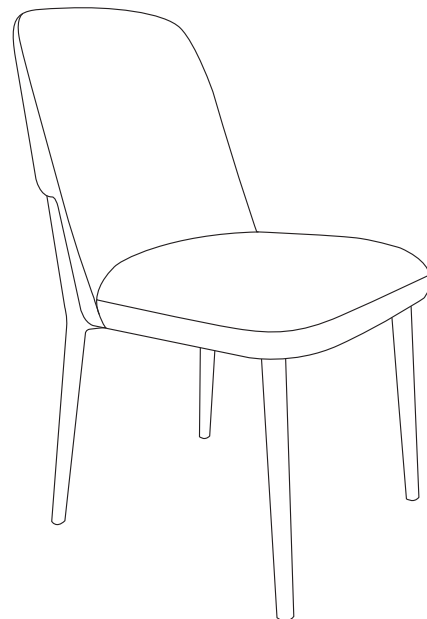
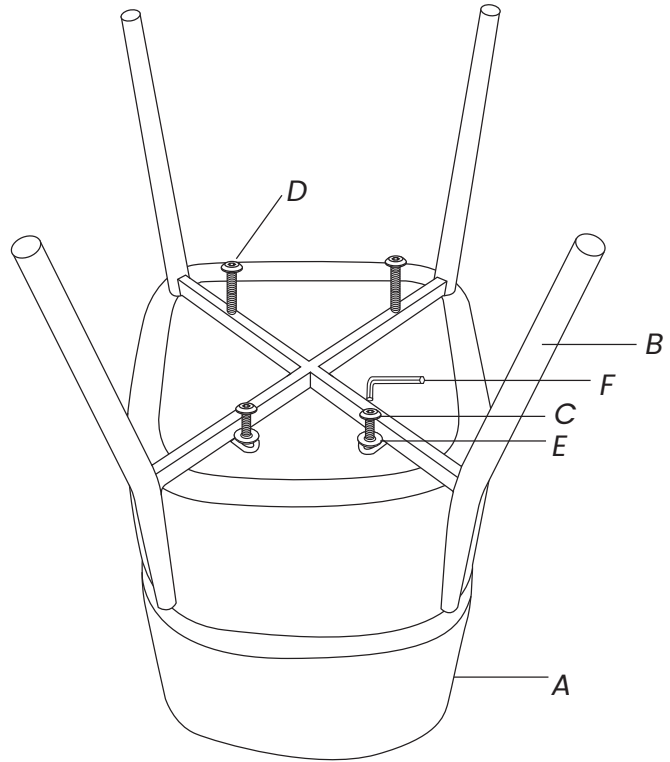
WASHER x2

F



TOOL x1

STEP 1



Assembled