

# Arbor Carver Dining Chair

CF\_A-4060

**PRODUCT PARTS INCLUDED**

A



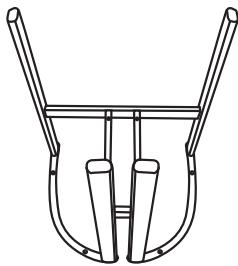
BACKREST x1

B



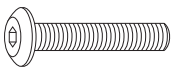
SEAT x1

C



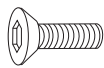
FRAME x1

D



SCREWS x4  
M6\*55mm

E



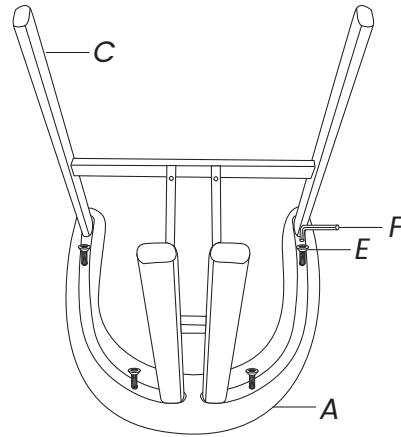
SCREWS x4  
M6\*35mm

F

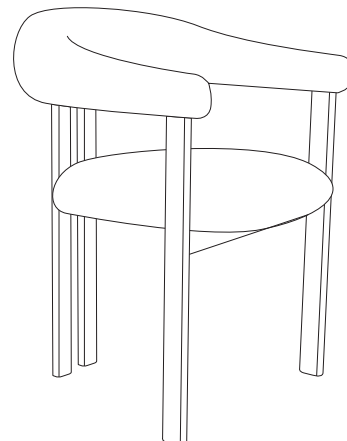
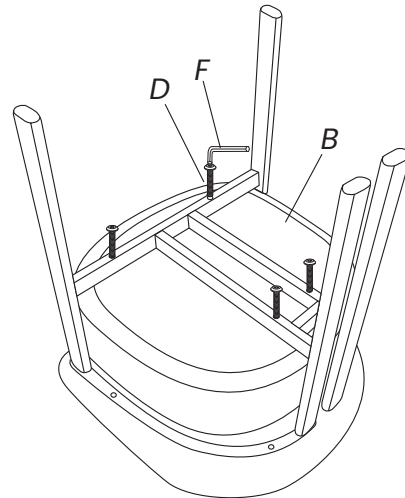


TOOL x1

**STEP 1**



**STEP 2**



Assembled

Please loosen all screws fully first, then reassemble by tightening each screw only around 25% at a time evenly across all fixing points.