

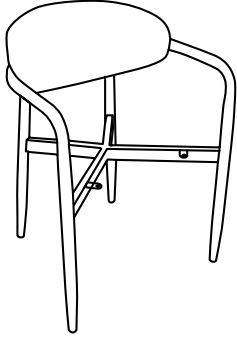
C

Halston Carver Dining Chair

CF_A-4093

PRODUCT PARTS INCLUDED

A



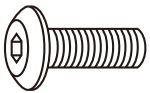
FRAME x1

B



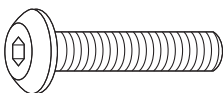
SEAT x1

C



SCREWS x2 M6*20mm

D



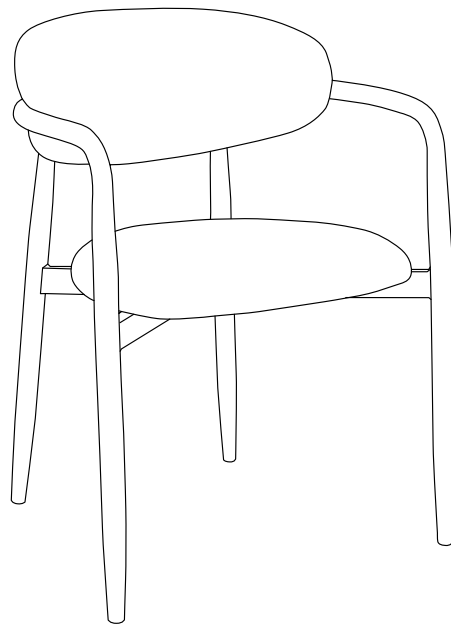
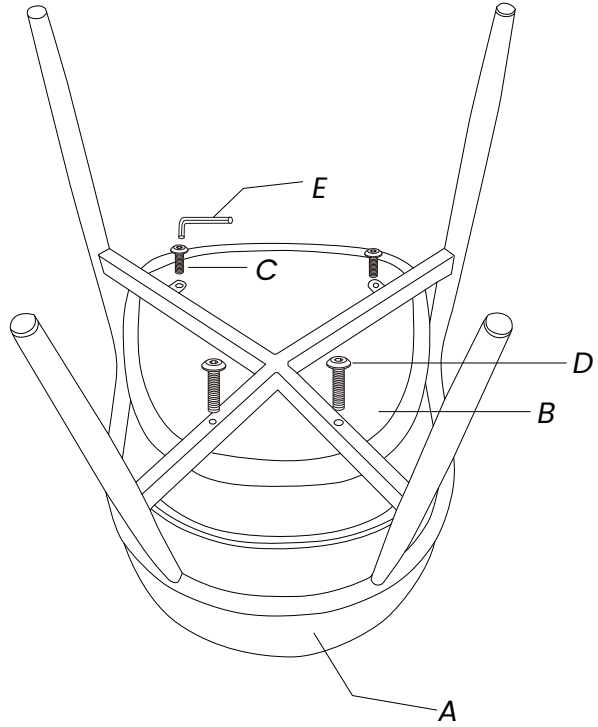
SCREWS x2 M6*55mm

E



TOOL x1

STEP 1



Assembled