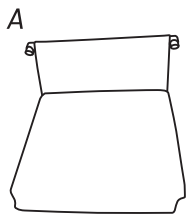




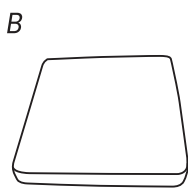
Barbican Chair

CF_MIRA

PRODUCT PARTS INCLUDED



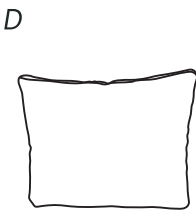
SEAT x1



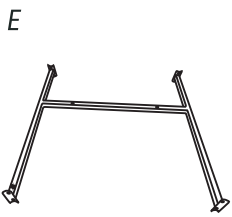
CUSHION x1



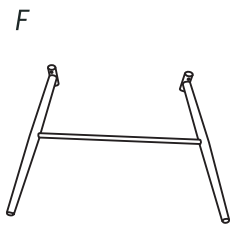
WOODEN LEG x2



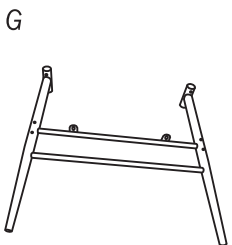
BACKREST x1



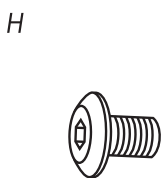
FRAME x1



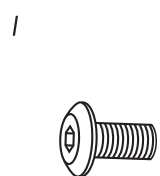
FRAME x1



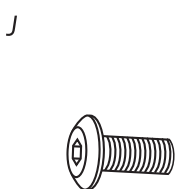
FRAME x1



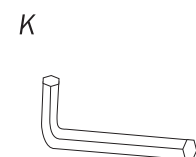
SCREWS x2
M6*20mm



SCREWS x14
M6*25mm

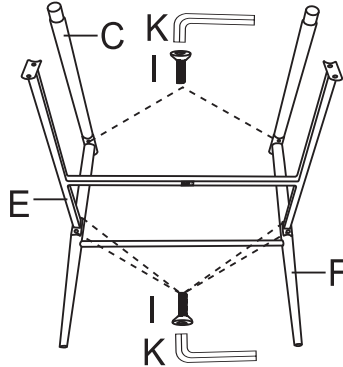


SCREWS x2
M6*35mm



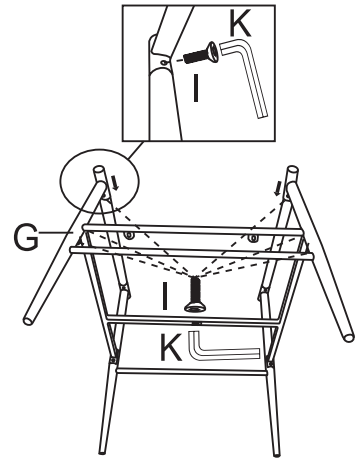
TOOL x1

STEP 1



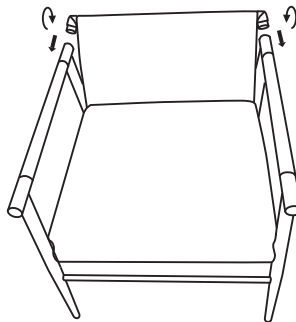
When you install the screw, tighten 80% in advance, then tighten 100%

STEP 2

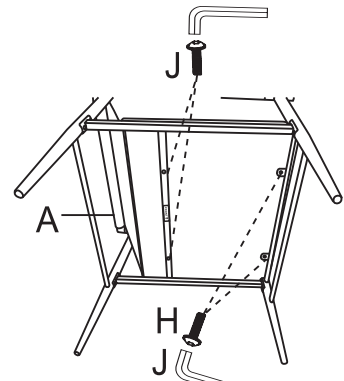


When you install the screw, tighten 80% in advance, then tighten 100%

STEP 3

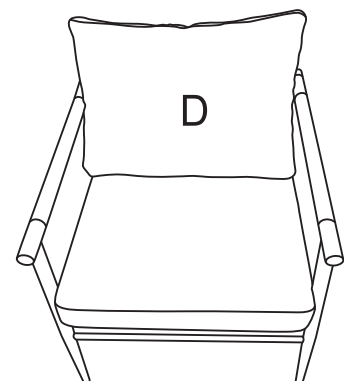
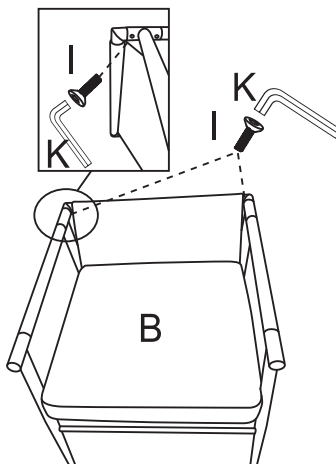


STEP 4



When you install the screw, tighten 80% in advance, then tighten 100%

STEP 5



Assembled