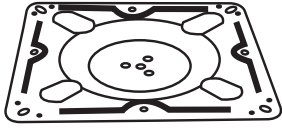


Rafferty Table Base

CF_H-604

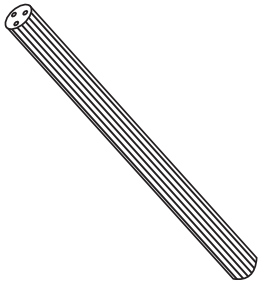
PRODUCT PARTS INCLUDED

A



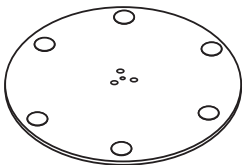
TOP CONNECTION x1

B



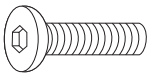
COLUMN x1

C



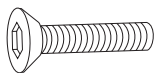
BASE x1

D



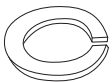
SCREWS x3
M8*16mm

E



SCREWS x3
M8*20mm

F



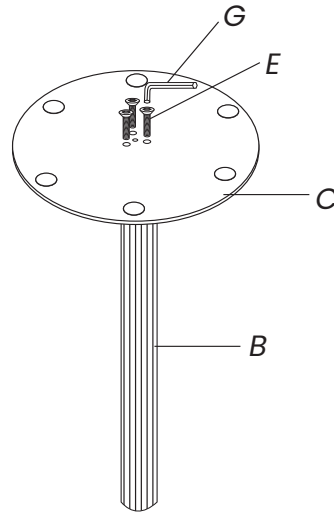
SPRING
WASHER x7

G

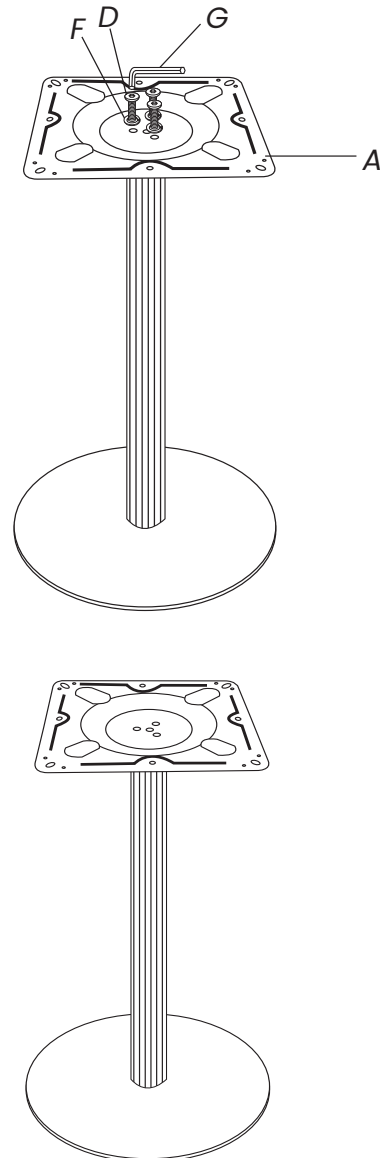


TOOL x1

STEP 1



STEP 2



Assembled