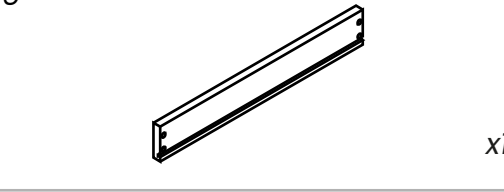
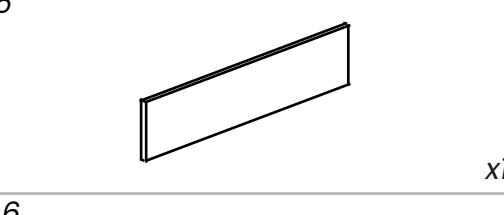
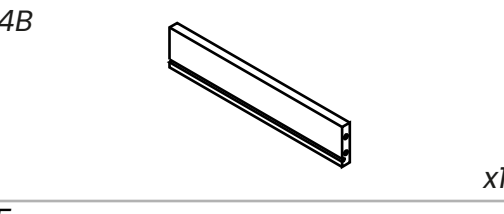
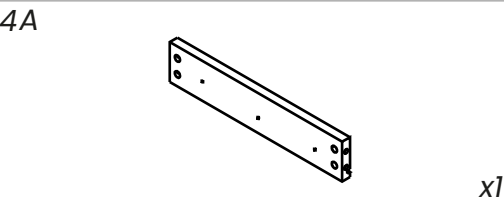
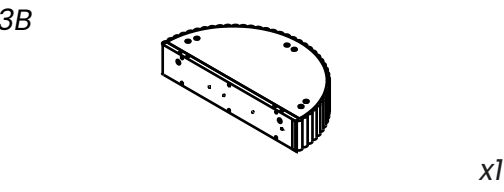
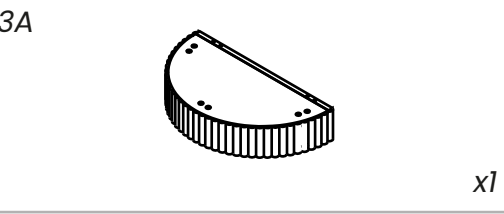
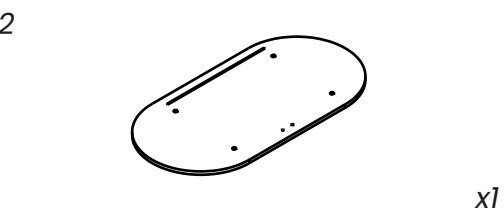
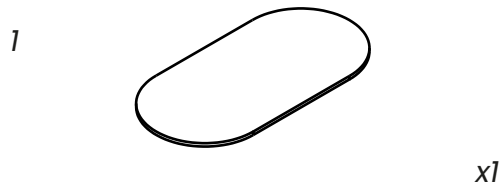




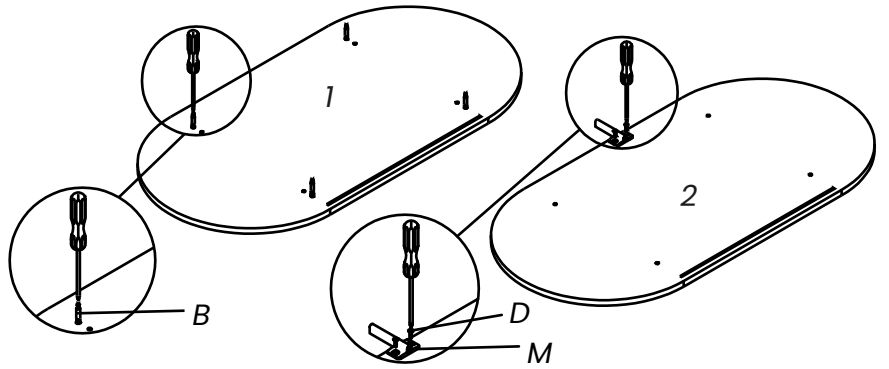
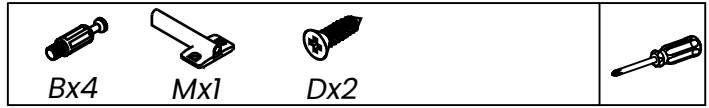
Santana Desk, Smokey Oak

CF_HE2377-1/SMK-OAK_bundle

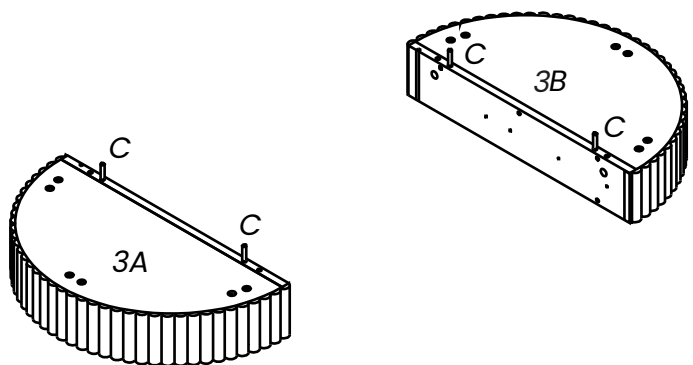
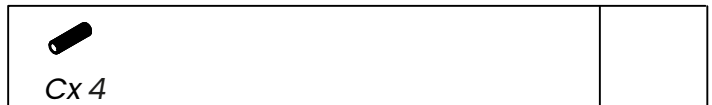
PRODUCT PARTS INCLUDED



STEP 1



STEP 2

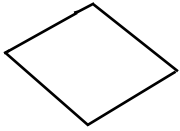


Santana Desk, Smokey Oak

CF_HE2377-1/SMK-OAK_bundle

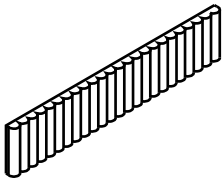
PRODUCT PARTS INCLUDED

7



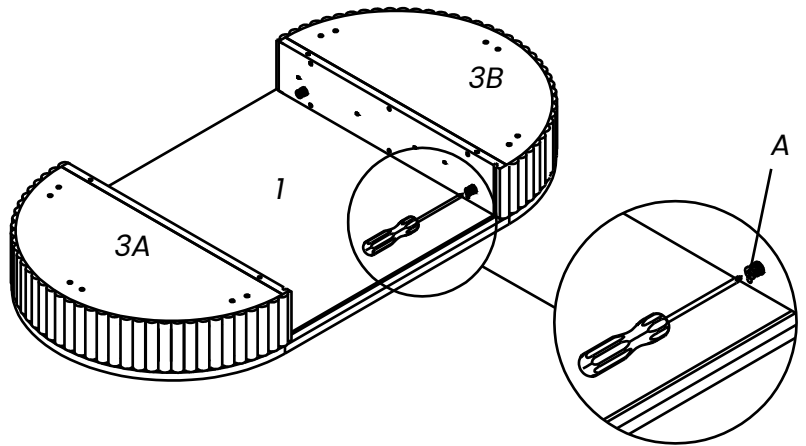
x1

8

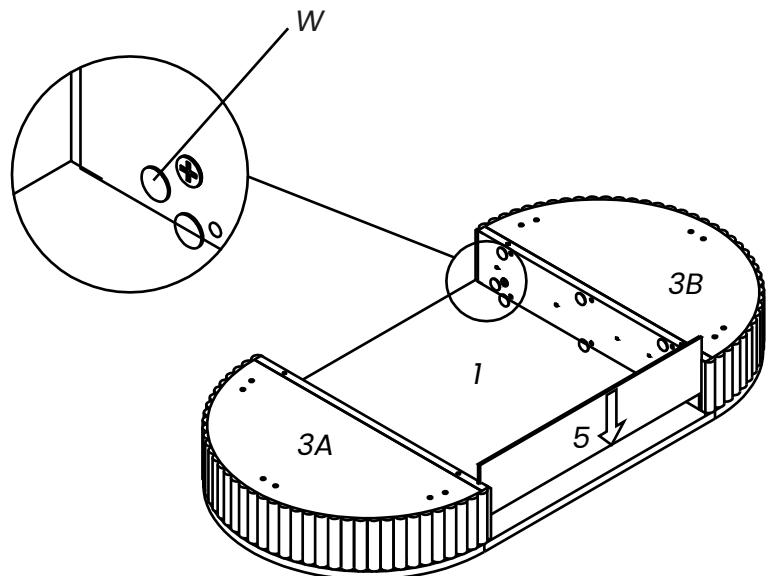
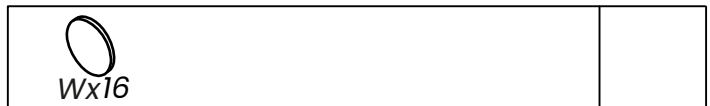


x1

STEP 3



STEP 4





Santana Desk, Smokey Oak

CF_HE2377-1/SMK-OAK_bundle

PRODUCT PARTS INCLUDED



$\phi 15 \times 12$

Ax4



M6x35

Bx4



$\phi 8 \times 40$

Cx4



M3.5x15

Dx14



M6x45

Ex2



M6x45

Fx8



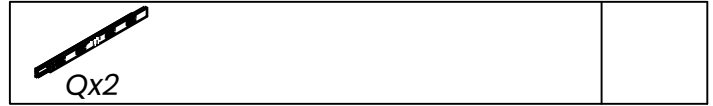
$\phi 12 \times M6 \times 1$

Gx18

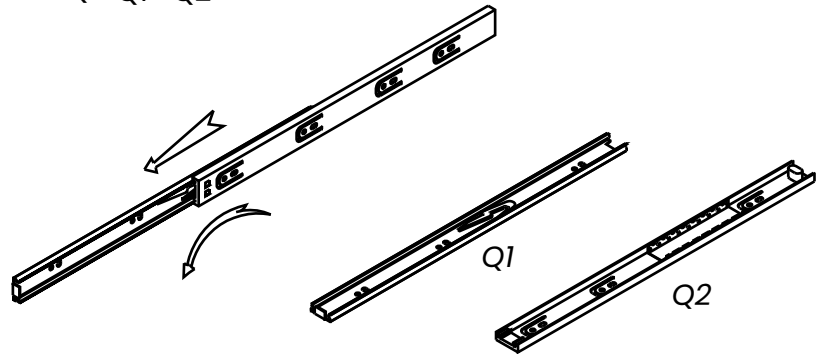


Hx2

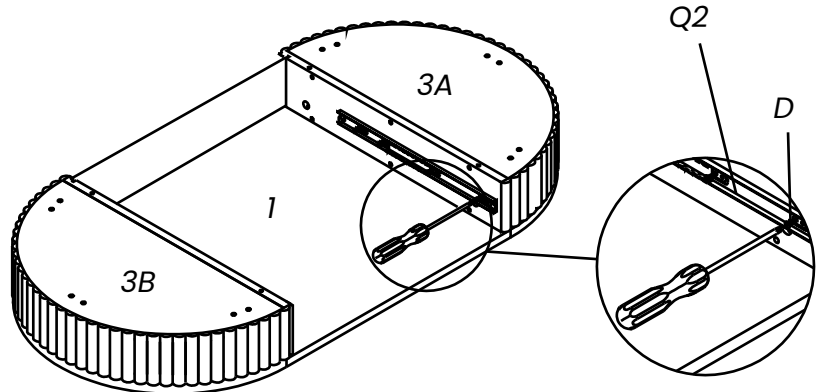
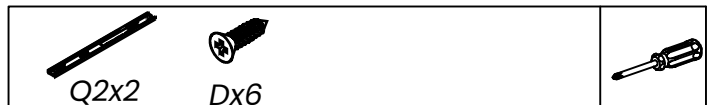
STEP 5



$$Q = Q1 + Q2$$



STEP 6

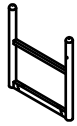




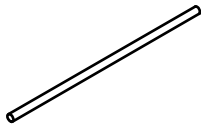
Santana Desk, Smokey Oak

CF_HE2377-1/SMK-OAK_bundle

PRODUCT PARTS INCLUDED



Ix1



Jx1



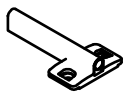
M5

Kx1



φ7x37

Lx4



Mx1



Nx1

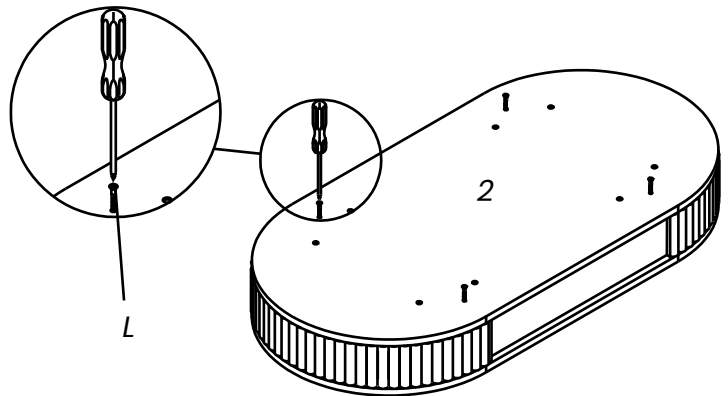


Ox1

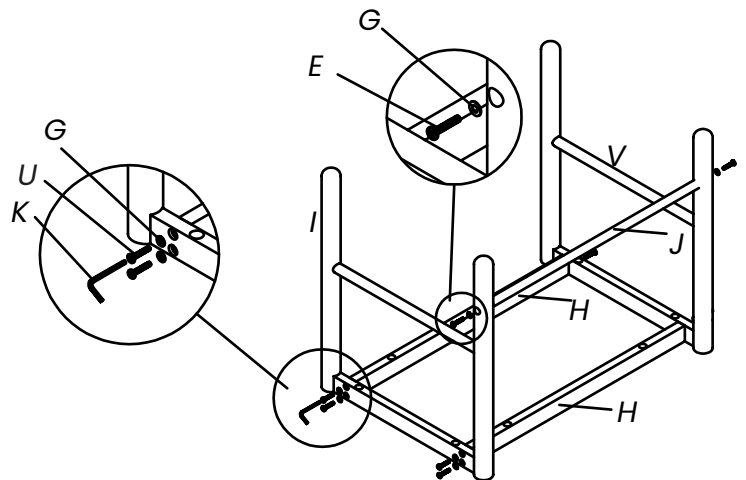


Px1

STEP 7



STEP 8

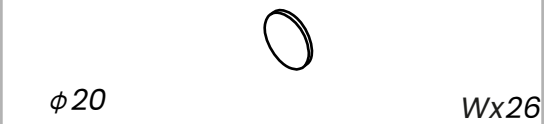
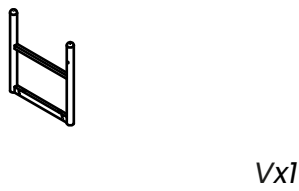
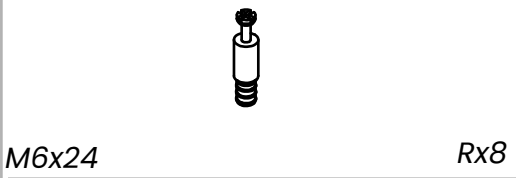
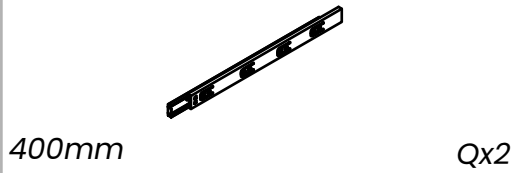




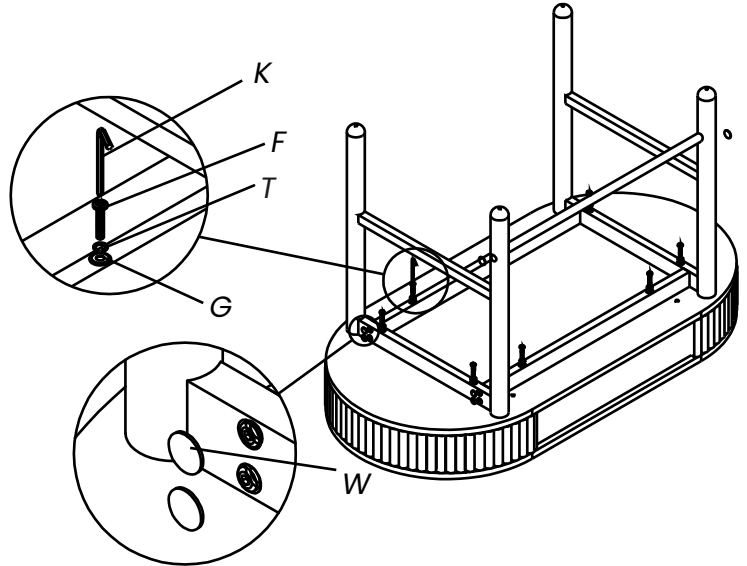
Santana Desk, Smokey Oak

CF_HE2377-1/SMK-OAK_bundle

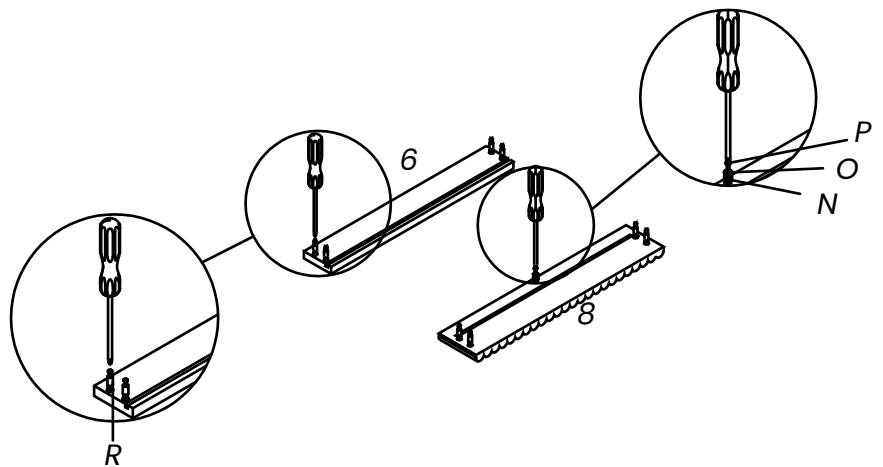
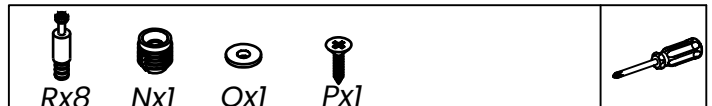
PRODUCT PARTS INCLUDED



STEP 9



STEP 10

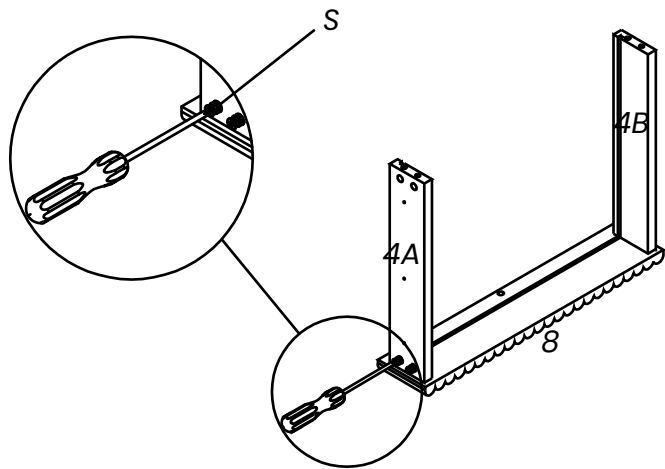
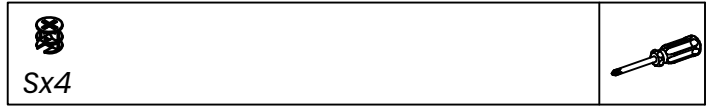




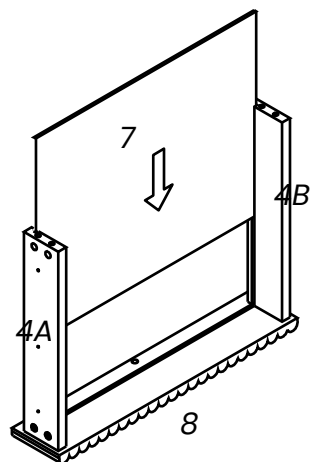
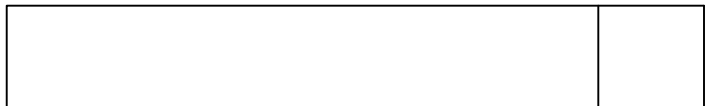
Santana Desk, Smokey Oak

CF_HE2377-1/SMK-OAK_bundle

STEP 11



STEP 12

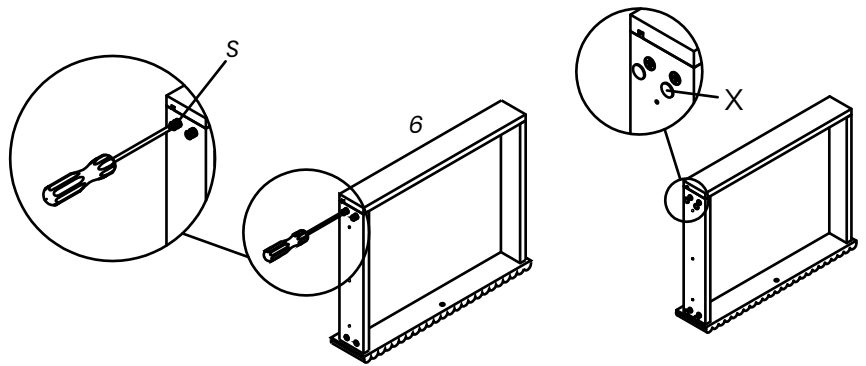




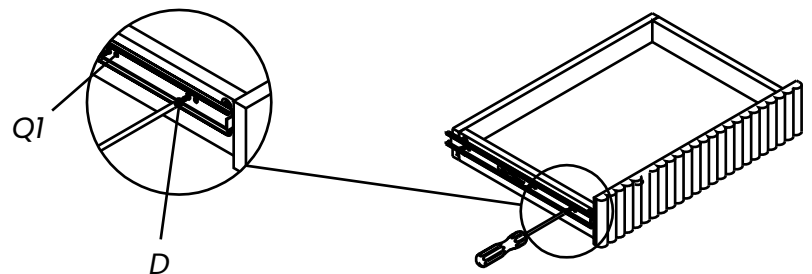
Santana Desk, Smokey Oak

CF_HE2377-1/SMK-OAK_bundle

STEP 13



STEP 14

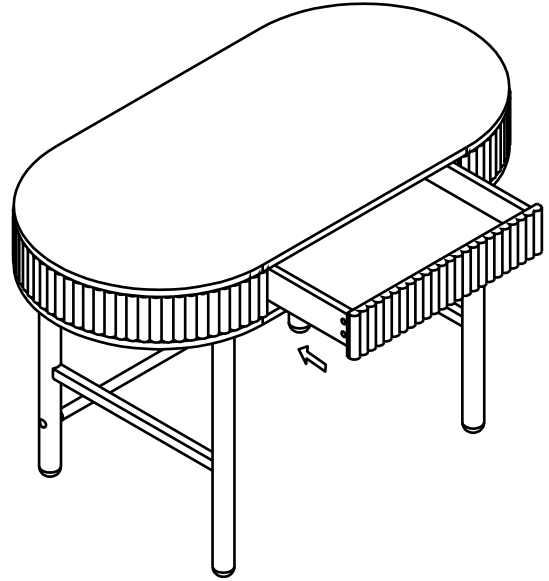




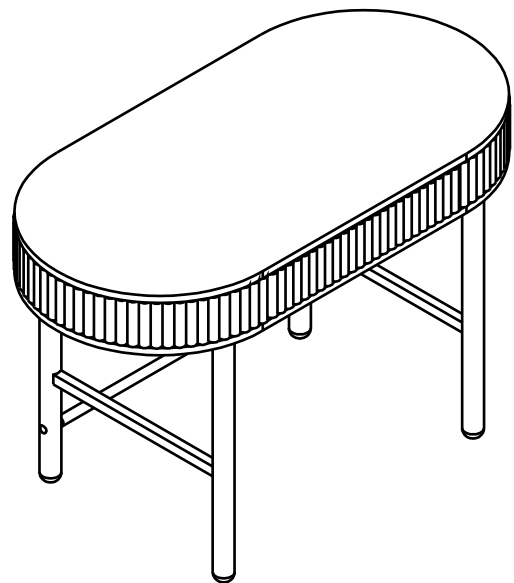
Santana Desk, Smokey Oak

CF_HE2377-1/SMK-OAK_bundle

STEP 15



STEP 16



Assembled