

Care & Maintenance Guide – High Gloss

Your high-gloss furniture is crafted with a premium finish to bring a modern, contemporary design into your space. To preserve its beauty and longevity, please follow the guidelines below.

General Maintenance

- Periodically check and tighten all fittings and fixtures to ensure stability.
- Always lift your furniture when moving it – never drag or push, as this may damage the frame or surface.

Protecting the Surface

- Always use coasters, placemats, or trivets under hot dishes, drinks, vases, and decorative items.
- Avoid placing sharp or rough items (e.g., keys, cutlery, ceramics) directly on the table as this may scratch the surface.
- Immediately wipe away any spills – prolonged exposure to moisture can cause swelling or delamination.

Cleaning Instructions

- Wipe clean using a soft, damp cotton cloth only. Avoid applying strong pressure.
- Do not use abrasive cloths (e.g., scouring pads or microfibre), harsh chemicals, alcohol, or solvent-based cleaners.
- Ensure your cleaning cloth is free of any dust, grit, or debris to prevent micro-scratches.

Understanding Surface Characteristics

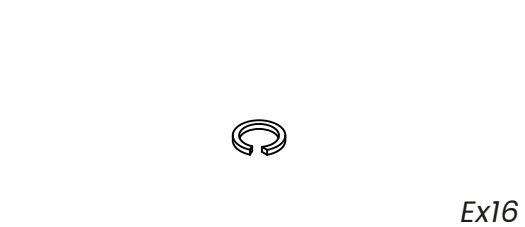
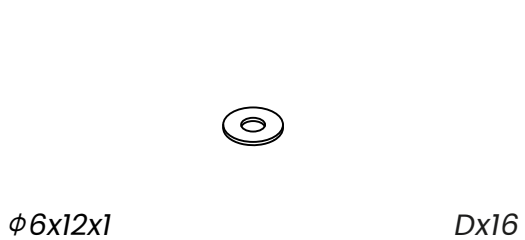
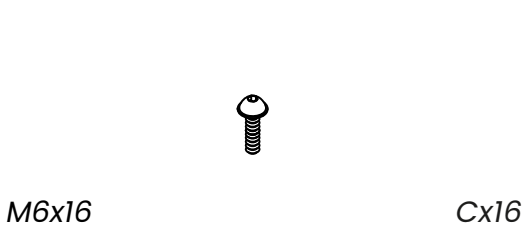
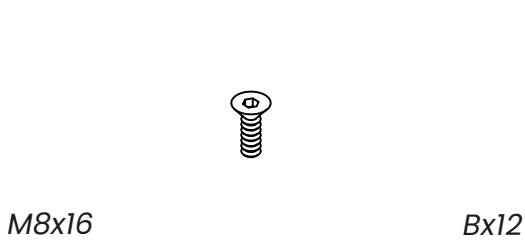
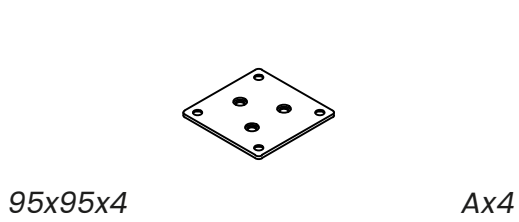
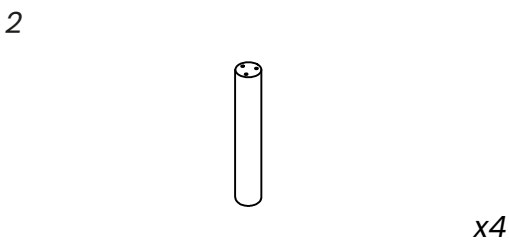
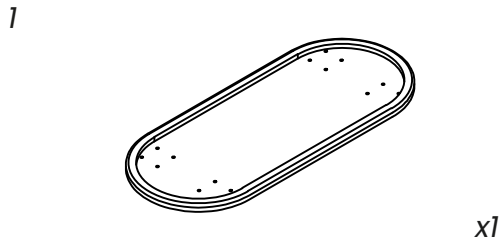
- Fine surface marks may appear with regular use – this is normal and not considered a defect.
- Depending on lighting, minor surface irregularities (e.g., ripples or micro-swirls) may be visible.



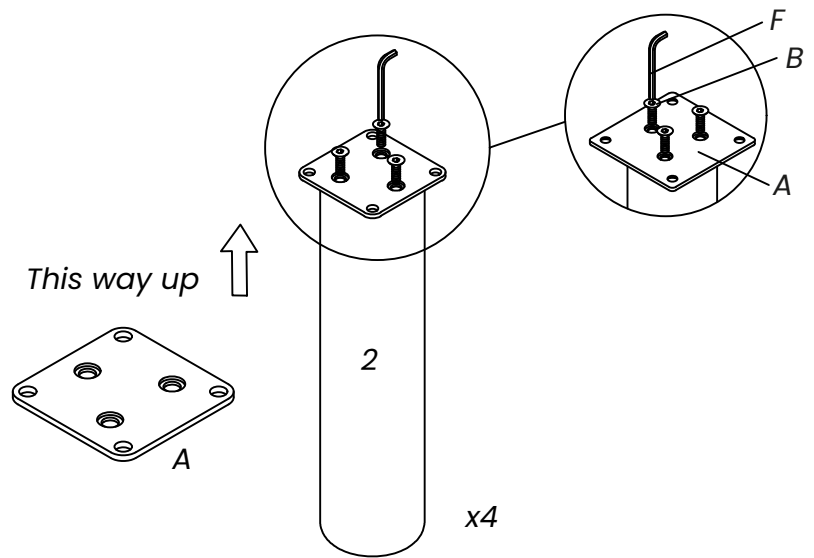
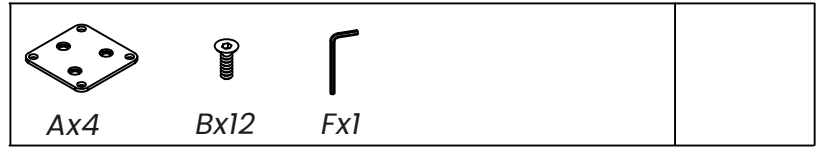
Raphael Oval Coffee Table, Taupe

CF_HE24125/TAUP_bundle

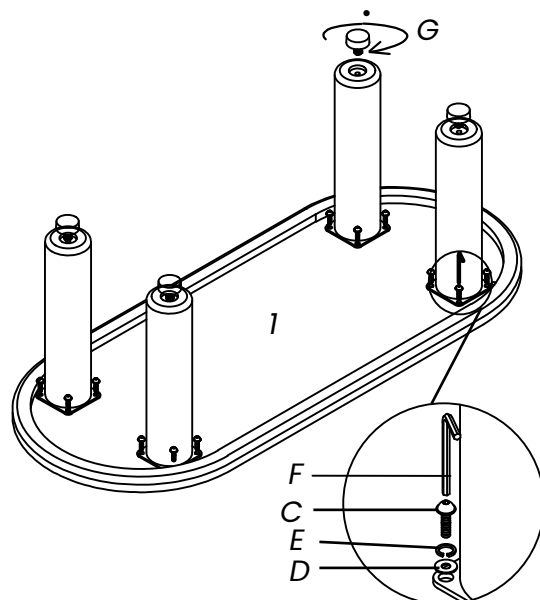
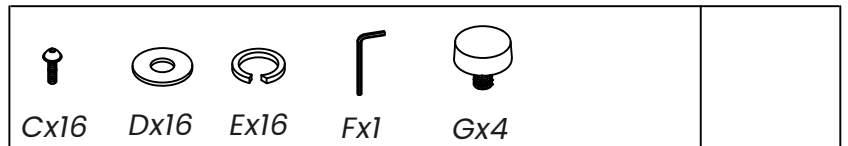
PRODUCT PARTS INCLUDED



STEP 1



STEP 2





Raphael Oval Coffee Table, Taupe

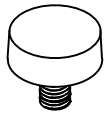
CF_HE24125/TAUP_bundle

PRODUCT PARTS INCLUDED



M5

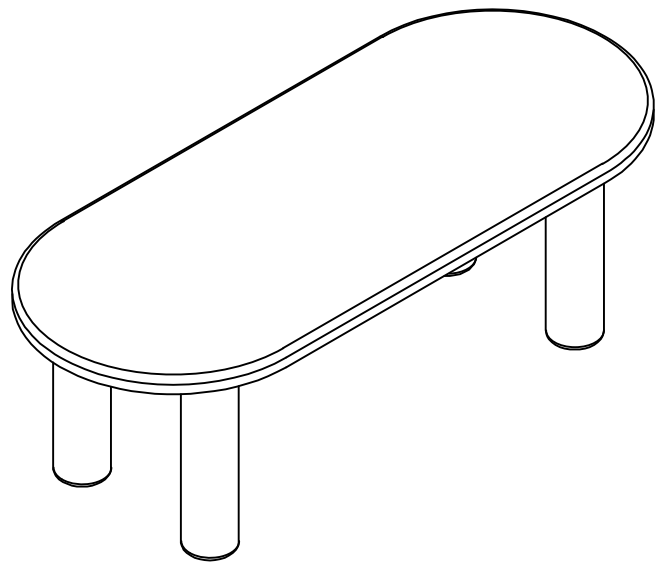
Fx1



M6

Gx4

STEP 3



Assembled