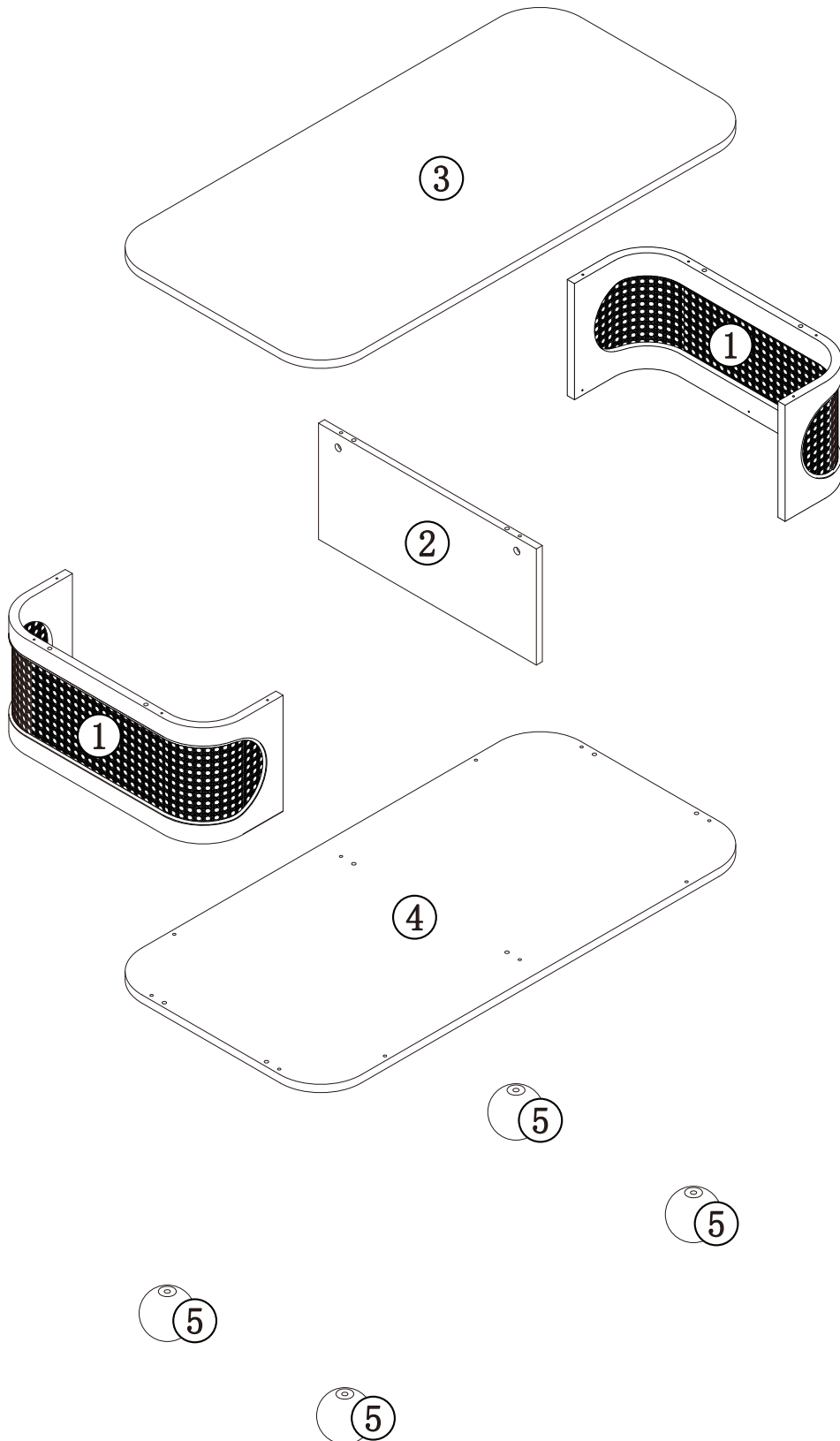




# Una Coffee Table, Oak/Walnut

CF\_KL60463/NAT/WAL

## PRODUCT PARTS INCLUDED

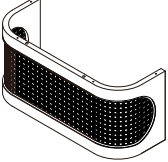
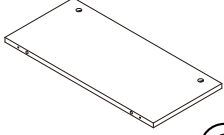
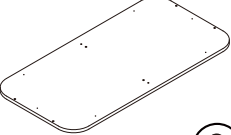
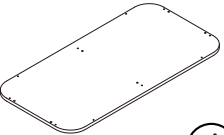
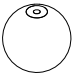


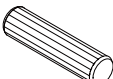


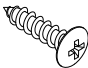
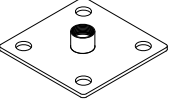
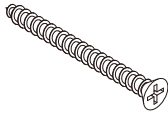
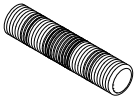

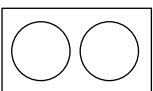




# Una Coffee Table, Oak/Walnut

CF\_KL60463/NAT/WAL

## PRODUCT PARTS INCLUDED

 ① x2	 ② x1	 ③ x1	 ④ x1
 ⑤ x4			
 7x39mm Ax2	 Bx2	 8x30mm Cx12	 Dx6
 3.5x14mm Ex12	 4x14mm Fx16	 Gx4	 5x50mm Hx10
 8x35mm Ix4	 Jx4	 Kx1	



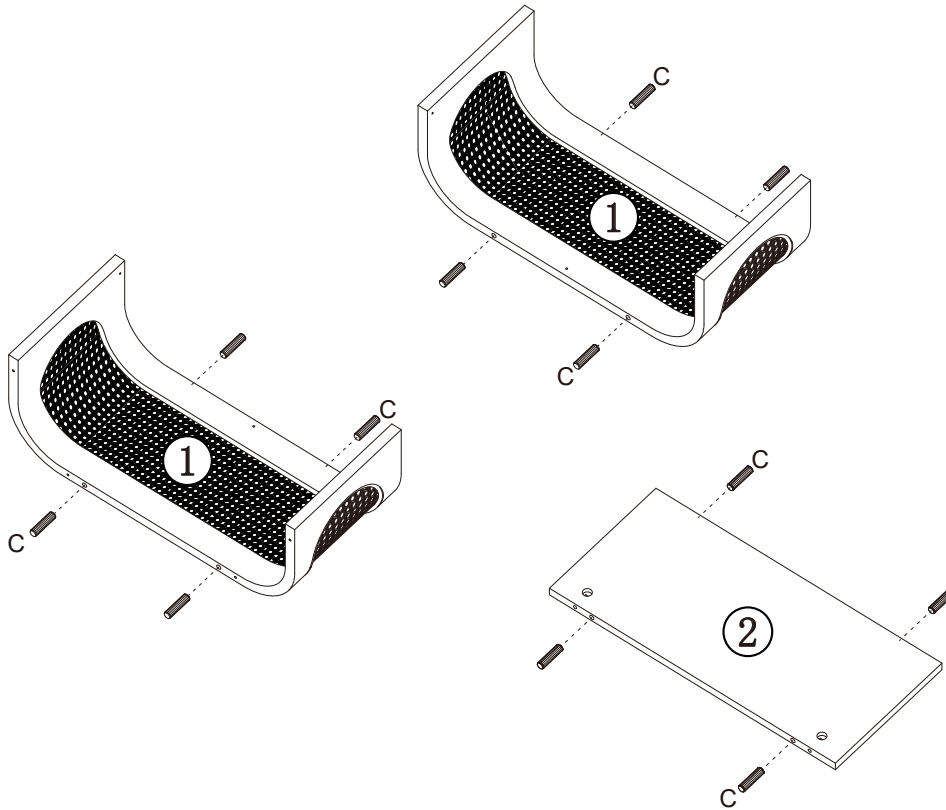
# Una Coffee Table, Oak/Walnut

CF\_KL60463/NAT/WAL

STEP 1



Cx12



STEP 2



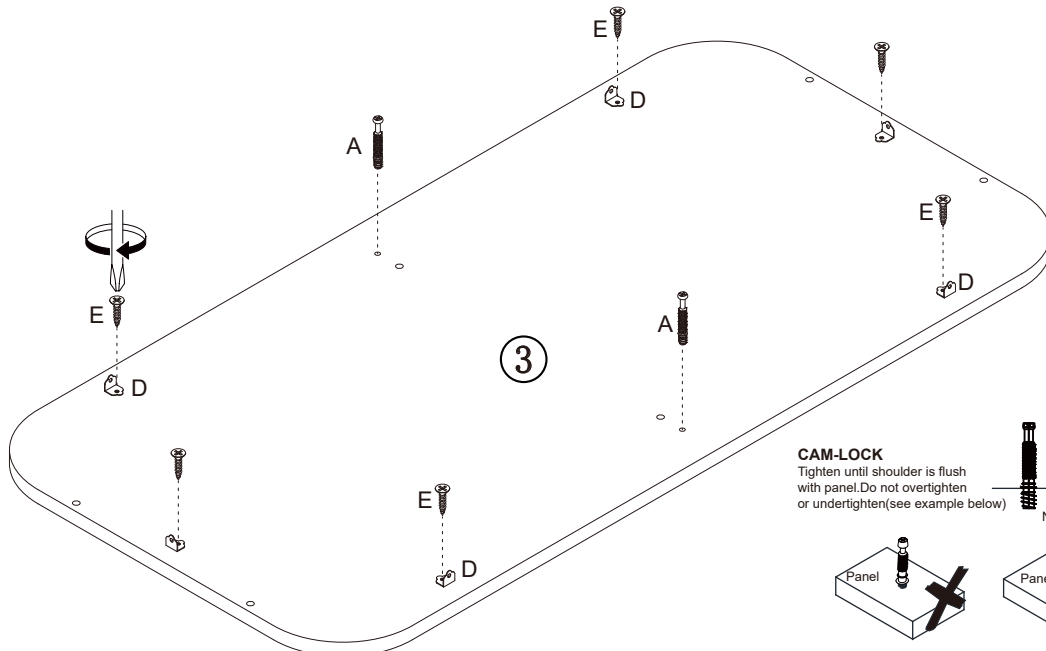
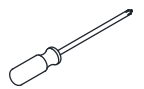
Ax2



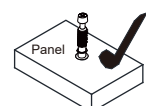
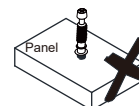
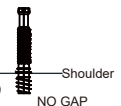
Dx6



Ex6



**CAM-LOCK**  
Tighten until shoulder is flush with panel. Do not overtighten or undertighten (see example below)

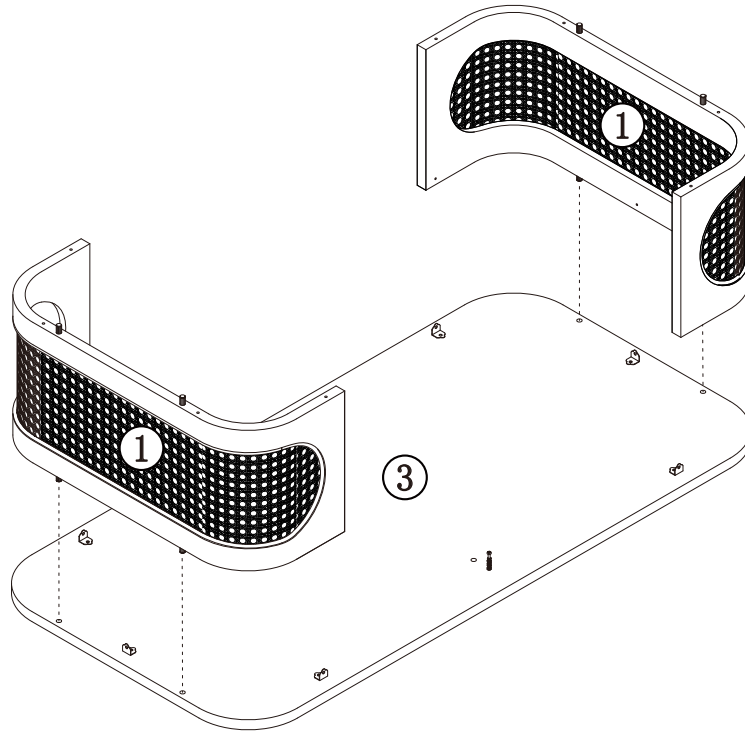




# Una Coffee Table, Oak/Walnut

CF\_KL60463/NAT/WAL

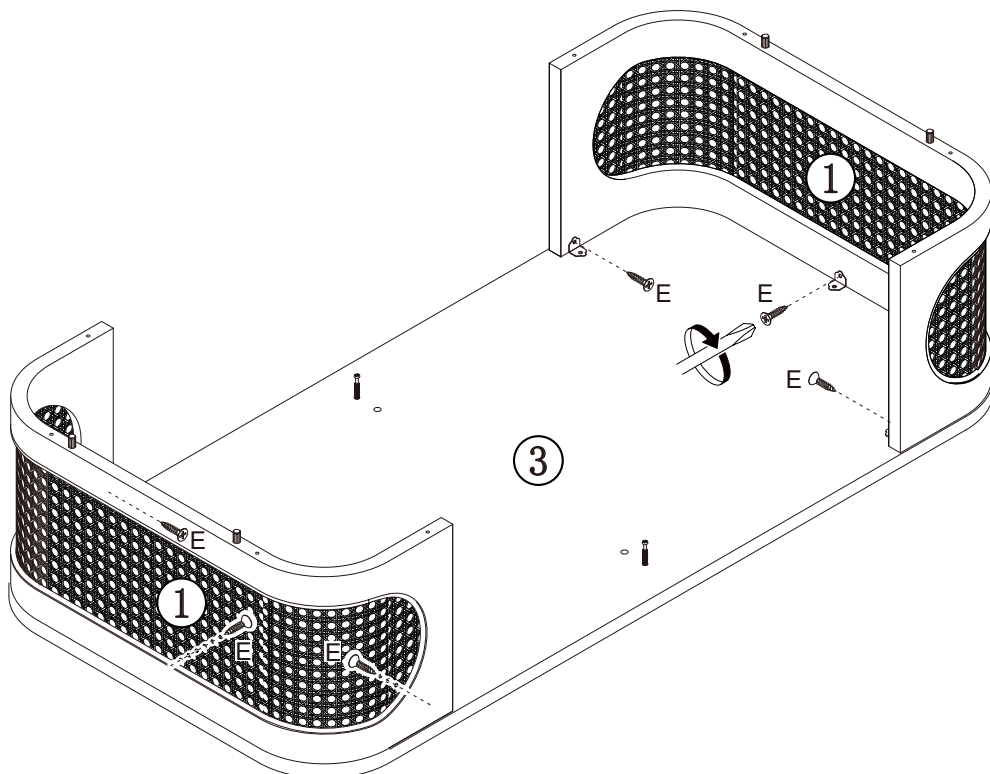
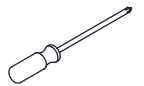
STEP 3



STEP 4



Ex6

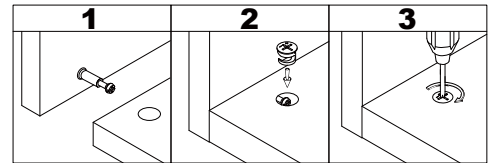
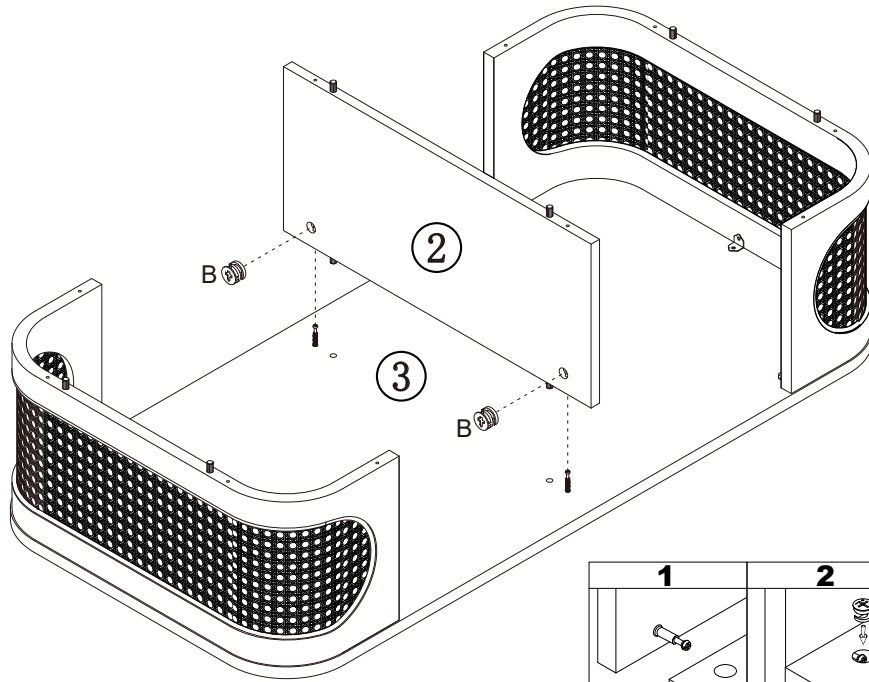
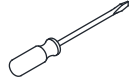




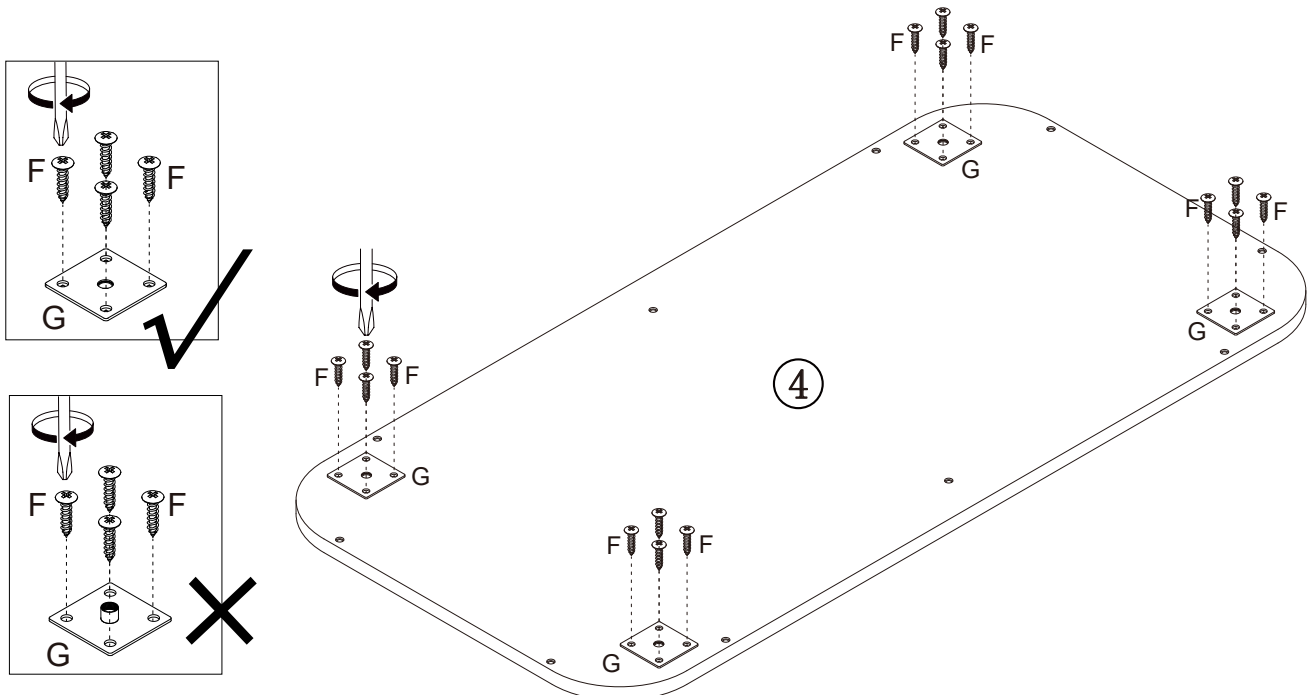
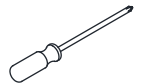
# Una Coffee Table, Oak/Walnut

CF\_KL60463/NAT/WAL

STEP 5



STEP 6





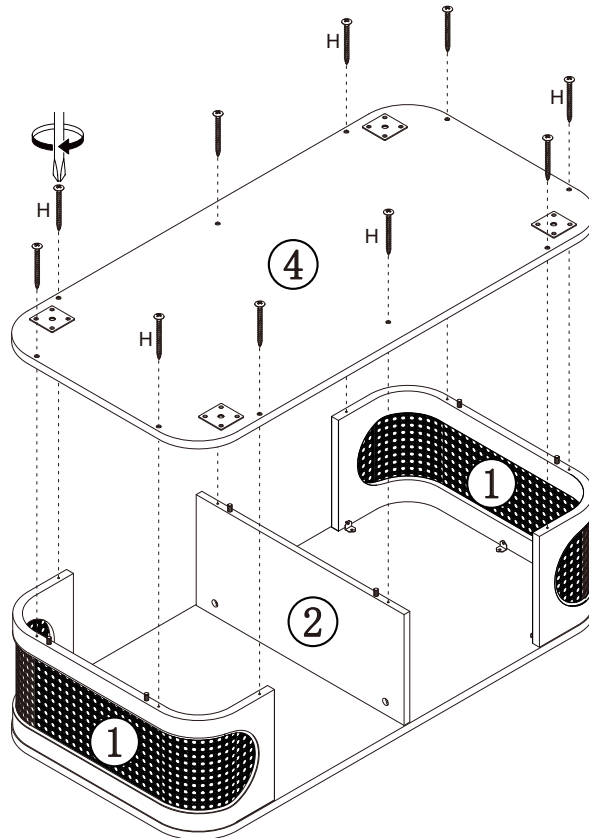
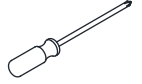
# Una Coffee Table, Oak/Walnut

CF\_KL60463/NAT/WAL

STEP 7



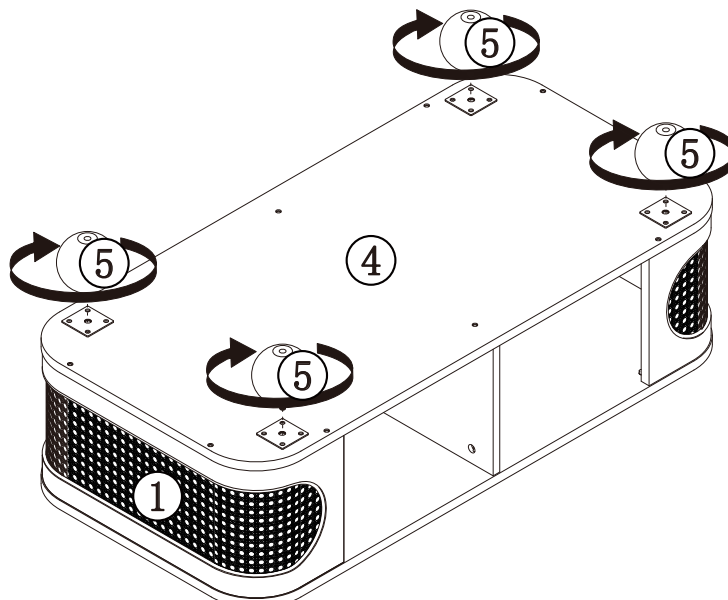
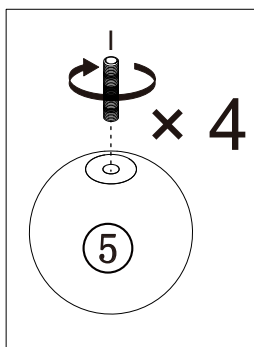
Hx10



STEP 8



1x4

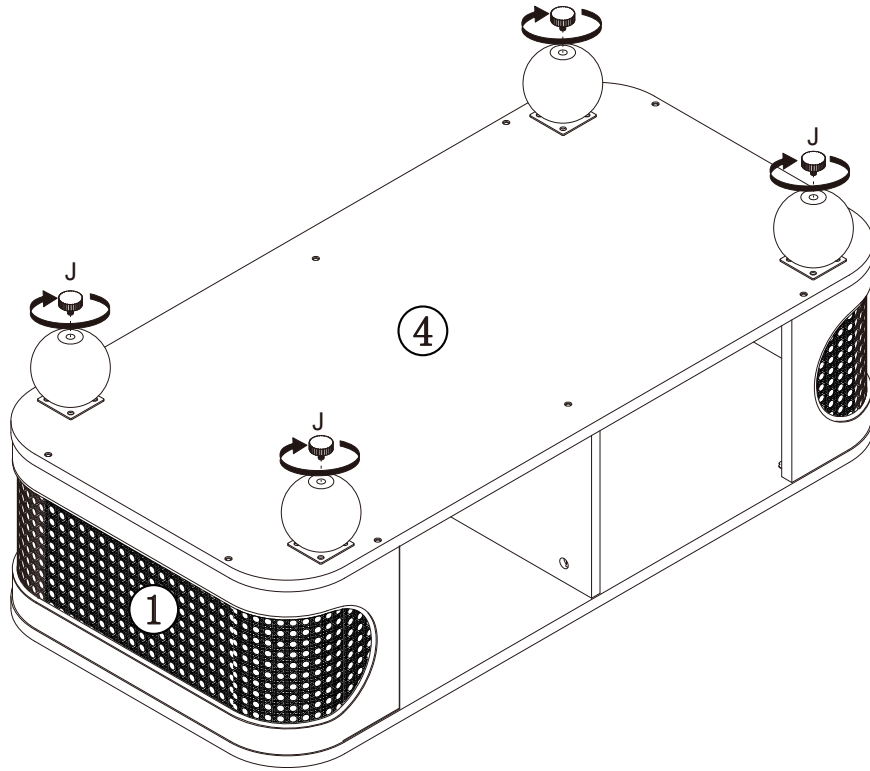




# Una Coffee Table, Oak/Walnut

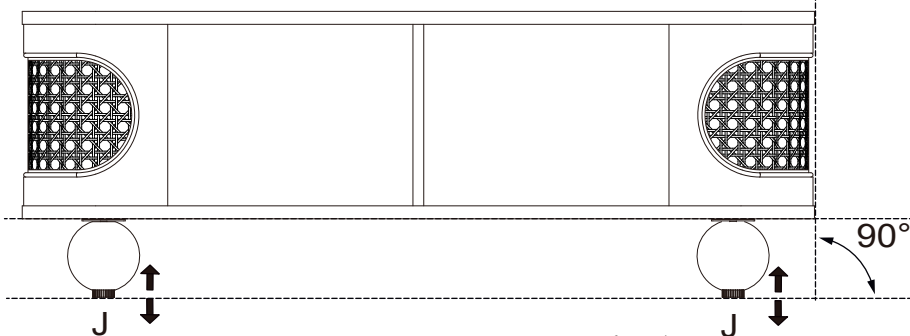
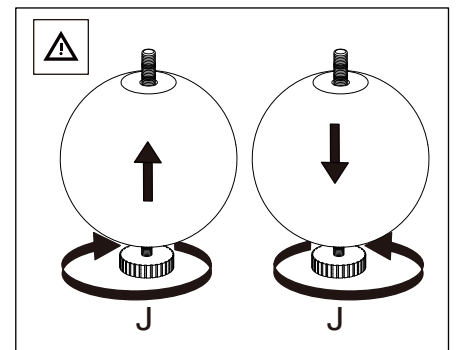
CF\_KL60463/NAT/WAL

STEP 9



STEP 10

Please adjust the height of the legs to keep the bottom level.





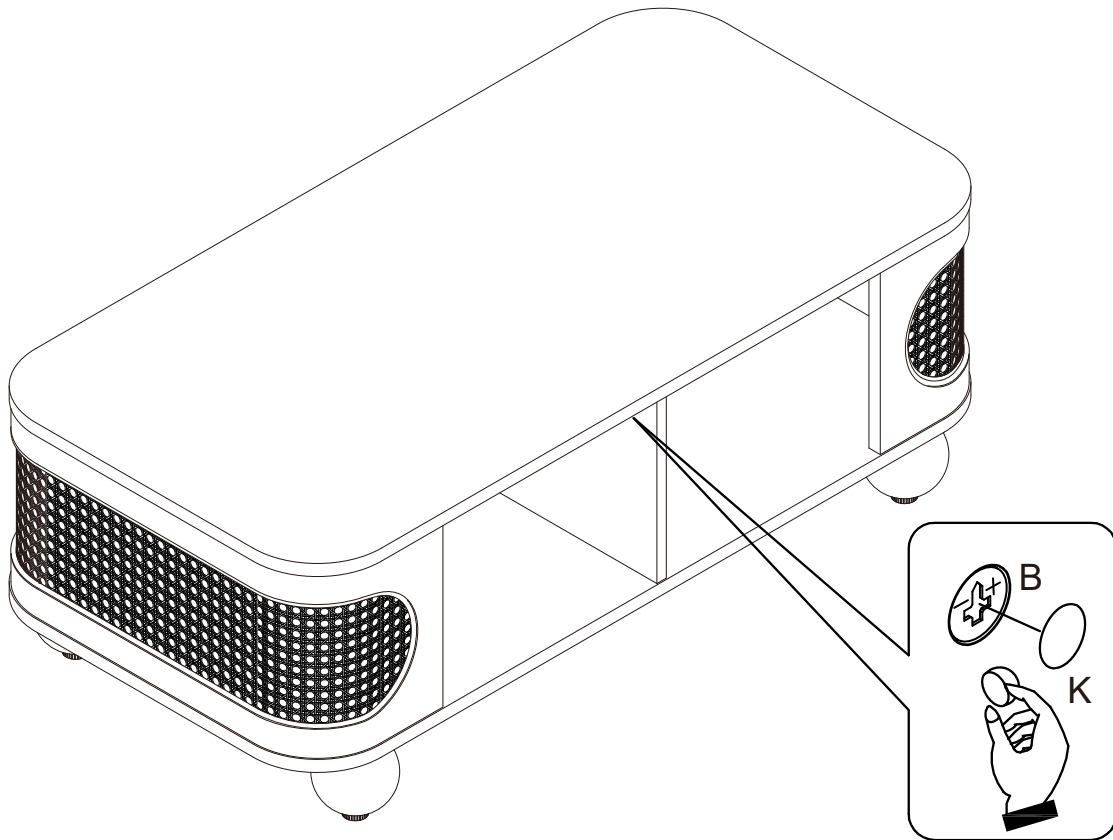
# Una Coffee Table, Oak/Walnut

CF\_KL60463/NAT/WAL

STEP 11



Kx1



Assembled