

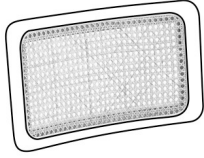


Kenton Carver Dining Chair

CF_LF9-05A-1

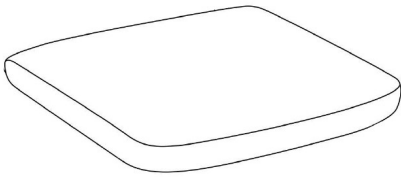
PRODUCT PARTS INCLUDES

A



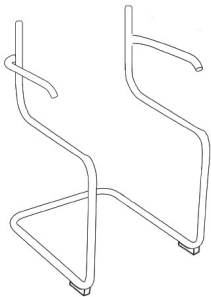
BACKREST X1

B



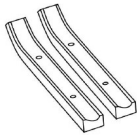
CUSHION X1

C



METAL LEG X1

D



ARMREST X2

E



SCREW X4
M6*40mm

F



SCREW X8
M6*35mm

G

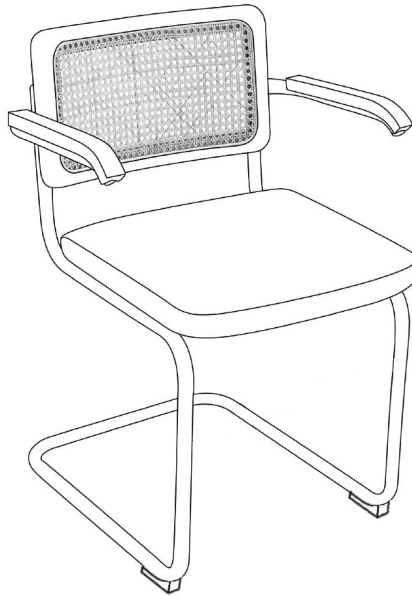


ALLEN WRENCH X1

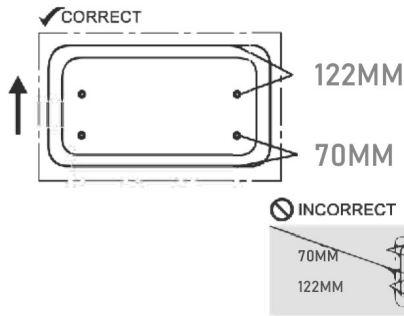
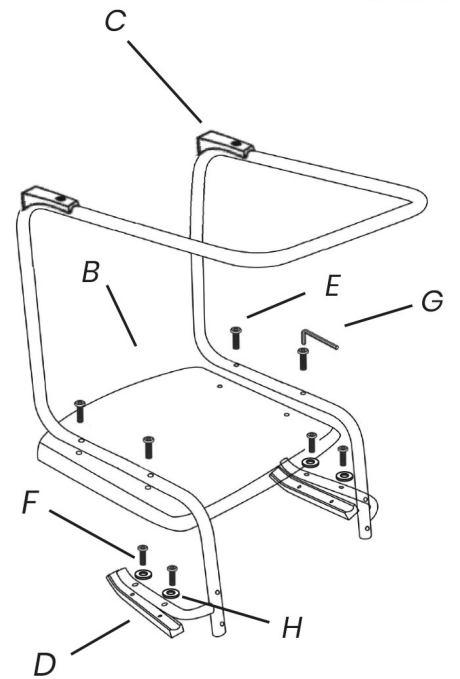
H



METAL GASKETE X4



STEP 1



NOTE: To attach the backrest correctly, the lower drill holes should be : 70 mm from the bottom edge of the backrest.

The top of the backrest drill holes should be 122mm from the top edge of the backrest.

STEP 2

