

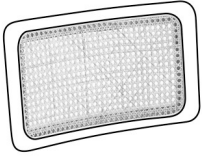


Kenton Kitchen Stool

CF_LF9-05E-1

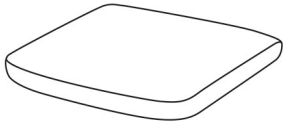
PRODUCT PARTS INCLUDES

A



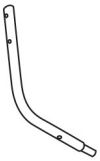
BACKREST X1

B



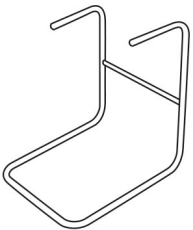
CUSHION X1

C



METAL LEG PART X2

D



METAL LEG X1

E



SCREW X4
M6*40mm

F

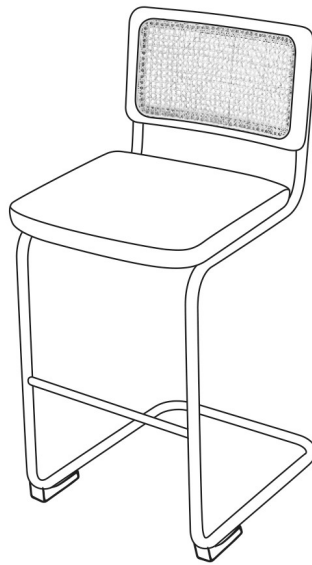


SCREW X4
M6*35mm

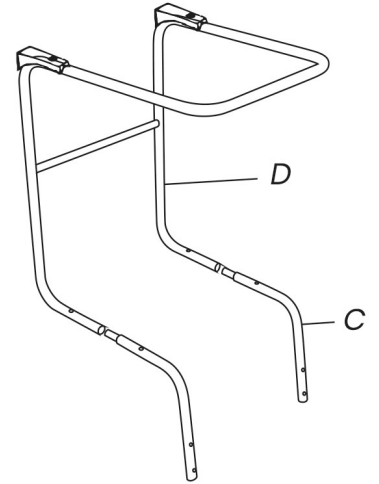
G



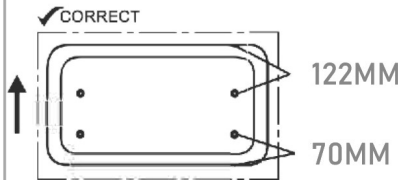
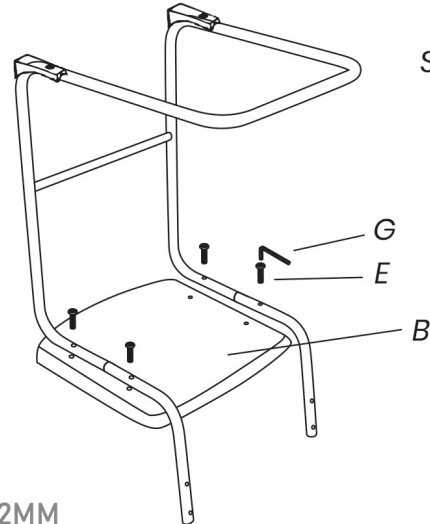
ALLEN WRENCH X1



STEP 1



STEP 2



✓ CORRECT

122MM

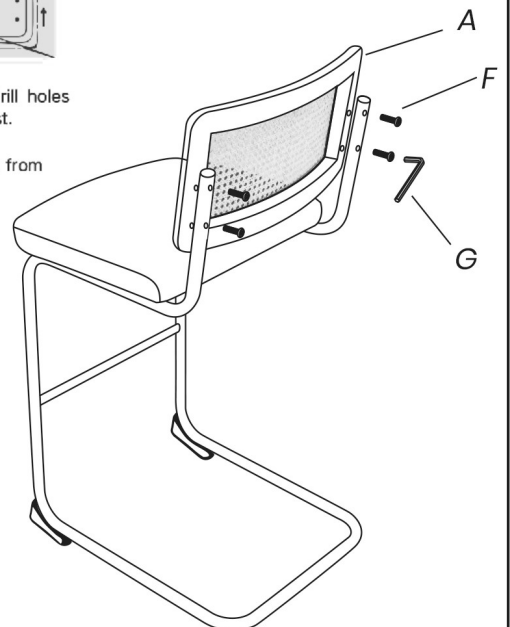
70MM

✗ INCORRECT

70MM

122MM

STEP 3



NOTE: To attach the backrest correctly, the lower drill holes should be : 70 mm from the bottom edge of the backrest.

The top of the backrest drill holes should be 122mm from the top edge of the backrest.