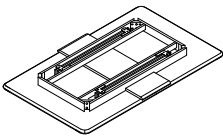

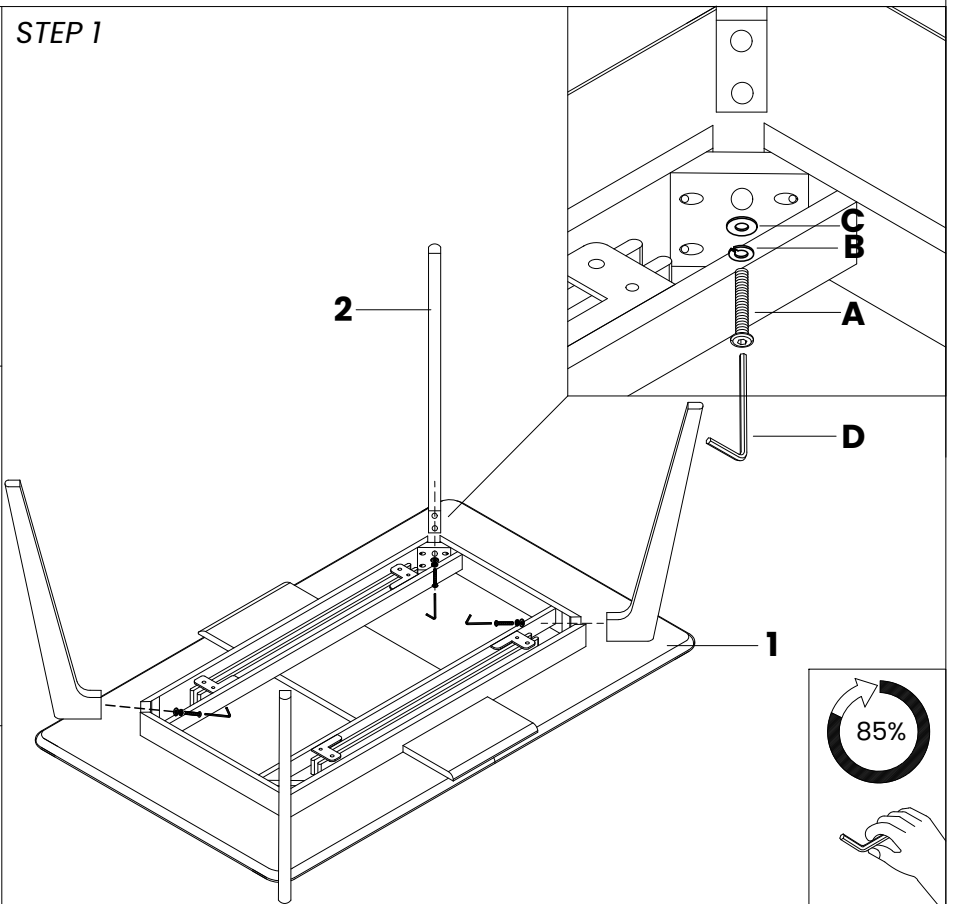
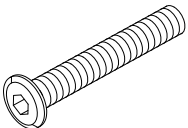
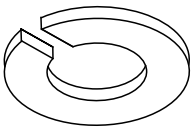
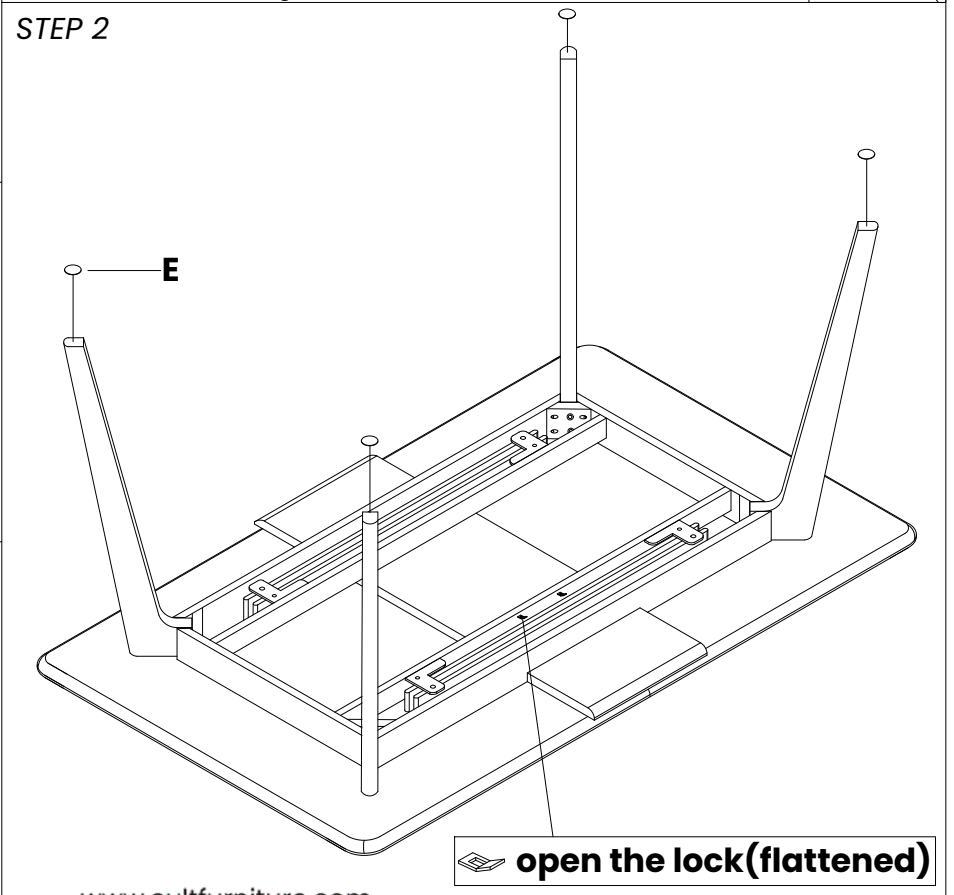
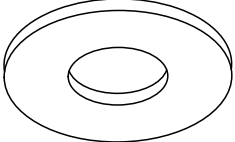
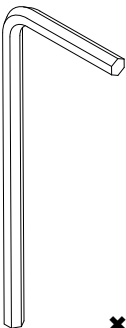
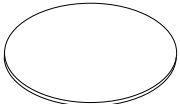




# Landon 4-6 Seat Wooden Dining Table, Walnut

CF\_MK-CL-09/WAL

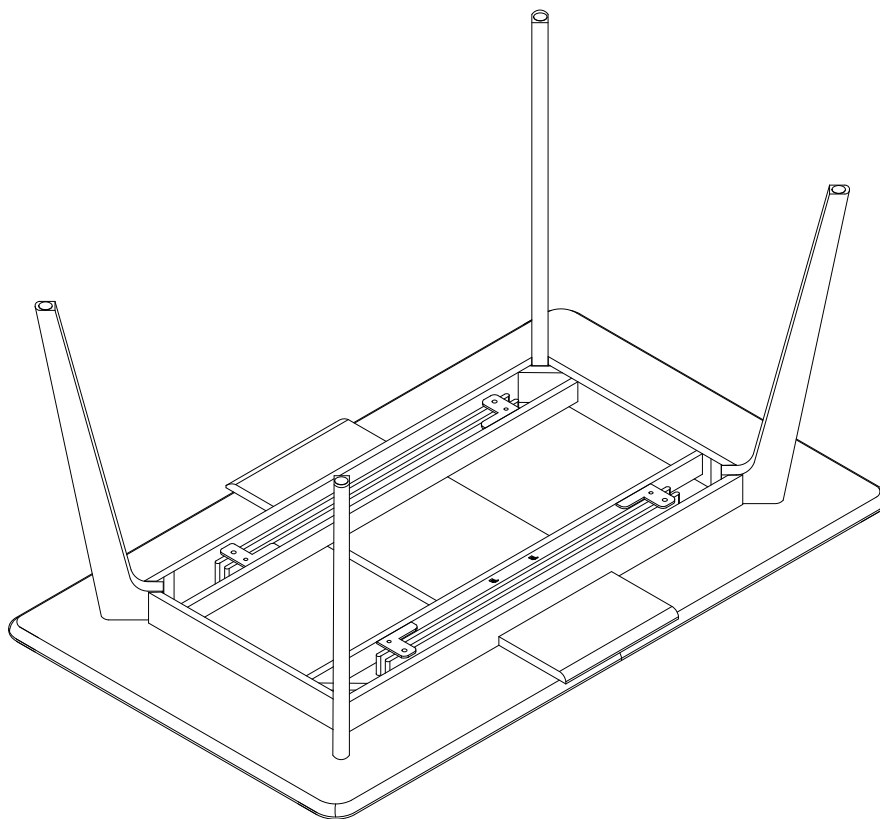
<p><b>1</b></p>  <p><b>x1</b></p>	<p><b>2</b></p>  <p><b>x4</b></p>	<p><b>STEP 1</b></p>  <p><b>85%</b></p>
<p><b>A</b></p>  <p><b>M8*45 x8</b></p>	<p><b>B</b></p>  <p><b>x8</b></p>	<p><b>STEP 2</b></p>  <p><b>open the lock(flattened)</b></p>
<p><b>C</b></p>  <p><b>x8</b></p>	<p><b>D</b></p>  <p><b>x1</b></p>	
<p><b>E</b></p>  <p><b>x4</b></p>		



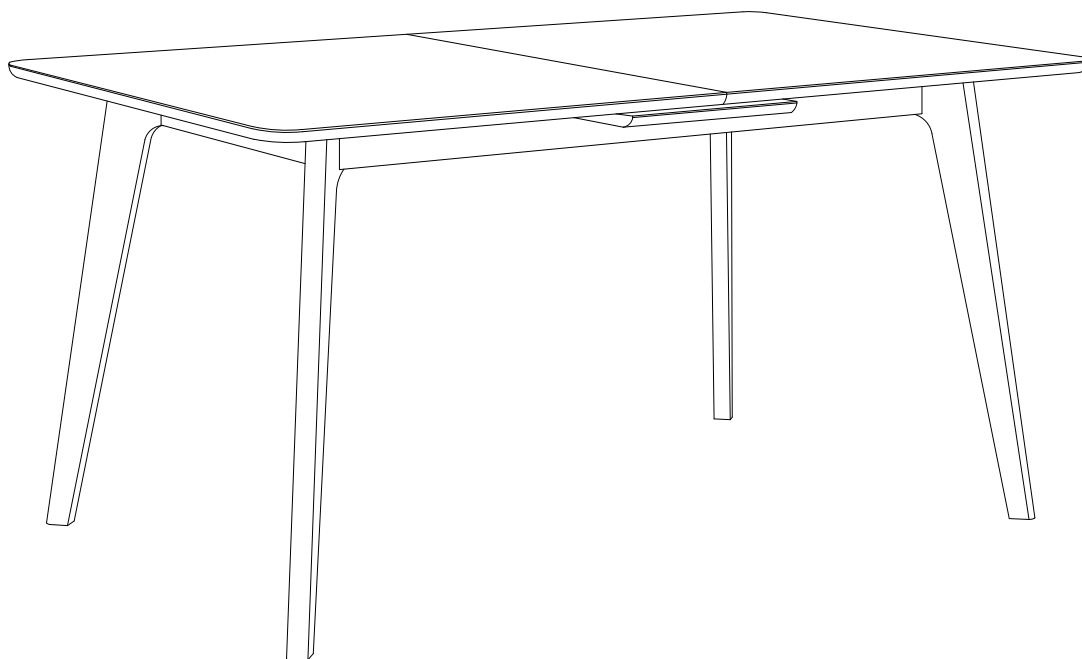
# Landon 4-6 Seat Wooden Dining Table, Walnut

CF\_MK-CL-09/WAL

## STEP 3



## STEP 4



*Assembled*



Fully tighten all bolts  
after turning upright.

