

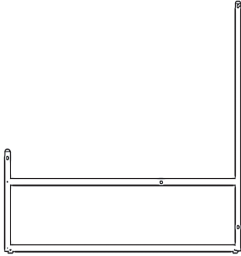
C

Enzo Armchair Set

CF_MLM-211404A

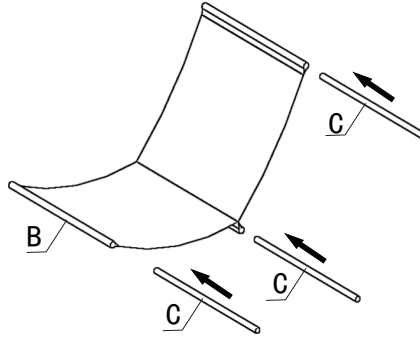
PRODUCT PARTS INCLUDED

A

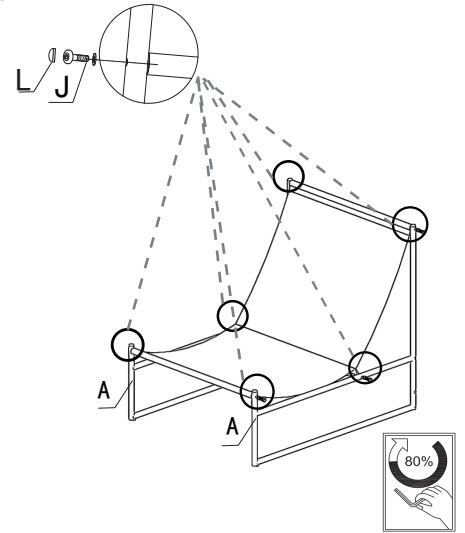


x4

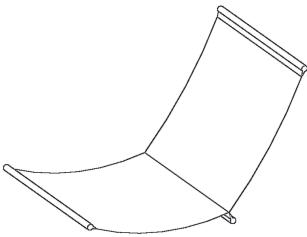
STEP 1



STEP 2

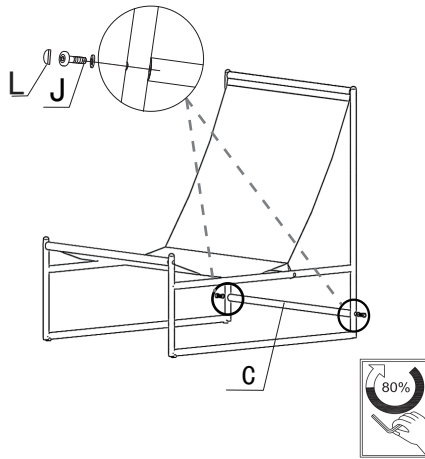


B

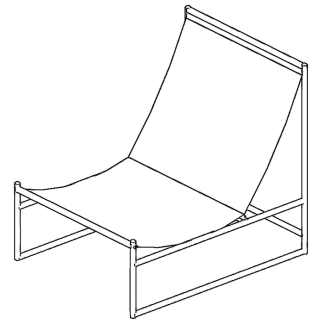


x2

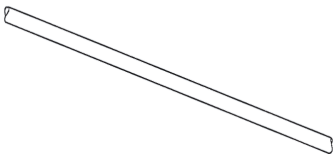
STEP 3



STEP 4

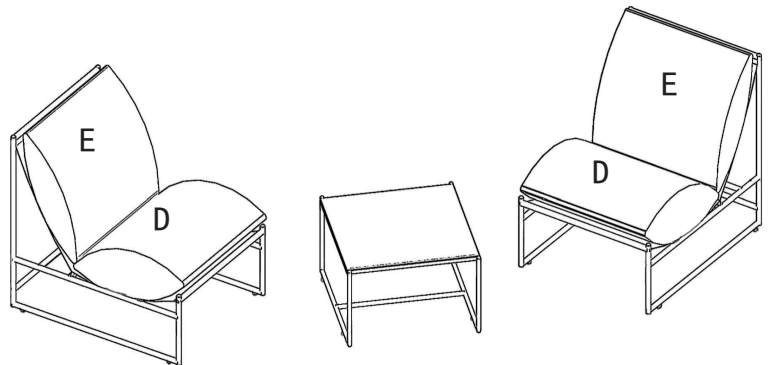


C

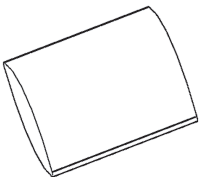


x8

STEP 5

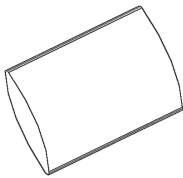


D



x2

E



x2

J



SCREWS x16
M8*45 mm

L



x22

M



TOOL x1

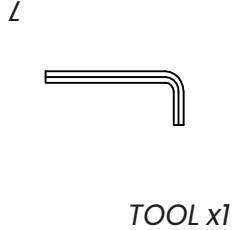
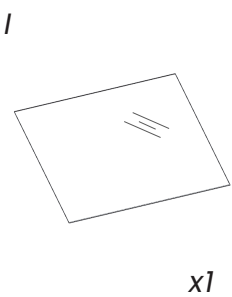
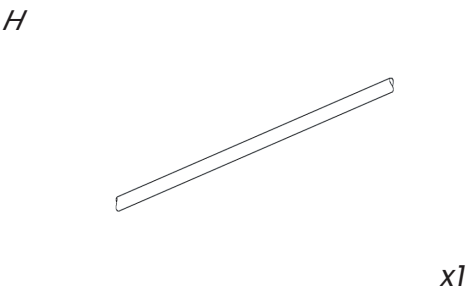
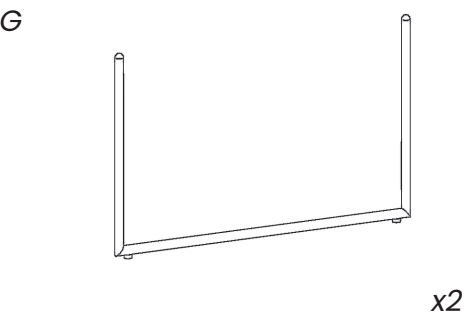
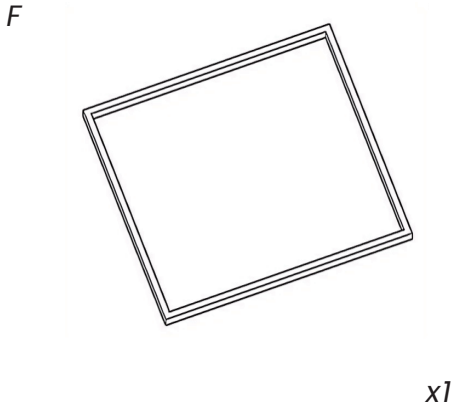
Assembled
Do not fully tighten bolts until assembly is complete



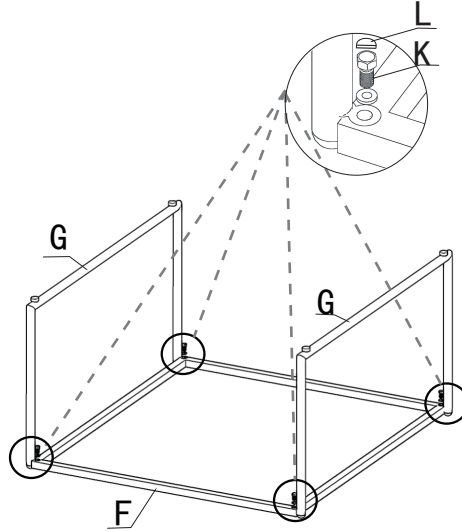
Enzo Armchair Set

CF_MLM-211404A

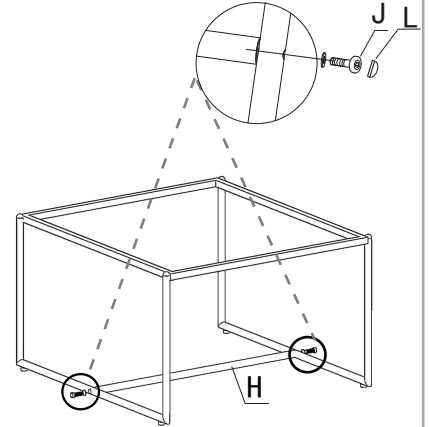
PRODUCT PARTS INCLUDED



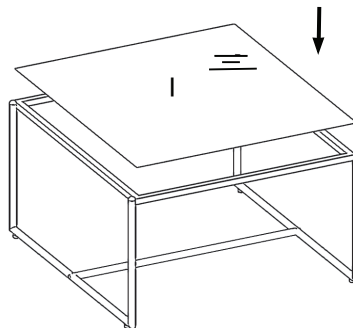
STEP 7



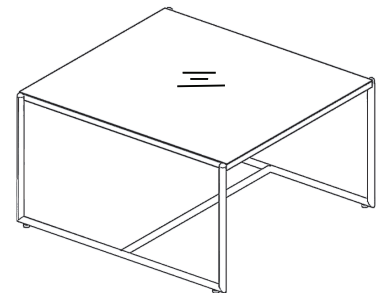
STEP 8



STEP 9



STEP 10



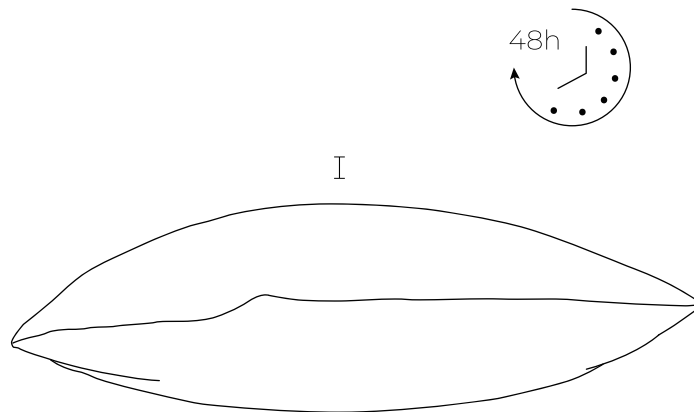
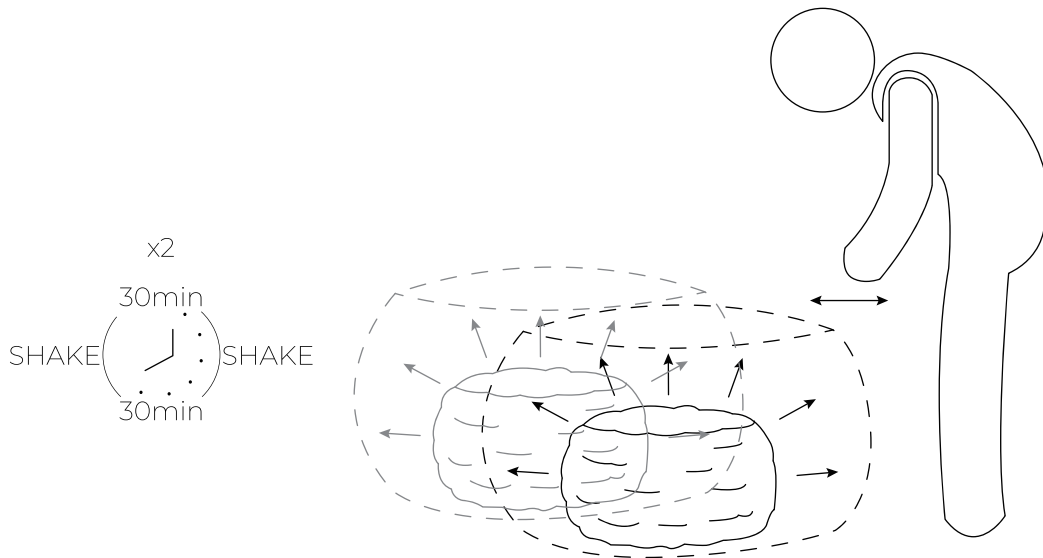
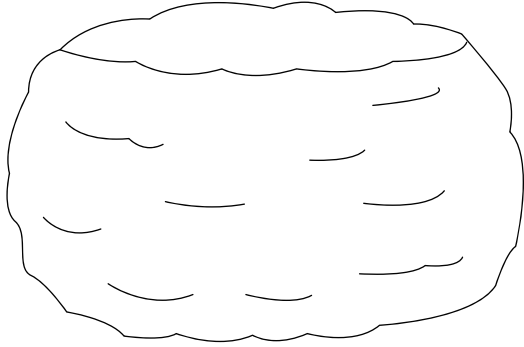
Assembled

Do not fully tighten bolts until assembly is complete



Enzo Armchair Set

CF_MLM-211404A



The compressed cushion needs to be shaken, and left for 48 hours after opening the package to restore its shape.