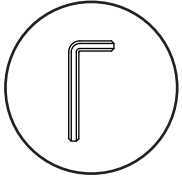




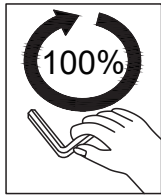
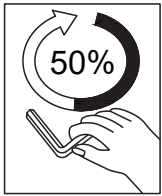
## GENERAL WARNINGS

### Milo Garden Lounge Set

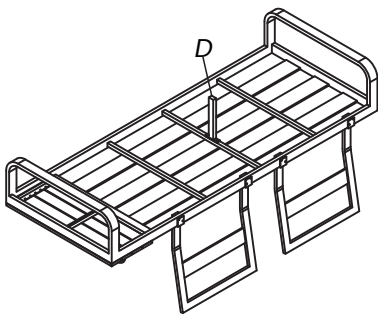
CF\_ MLM-212140



Please use the Allen key provided to avoid over tightening and possible screw damage.



Before aligning all bolt holes, tighten the bolt to 50%. Only after completing all assembly step then fully tightened to 100%.



The centre Foot D (auxiliary support) provides supplemental stability only and will rest on the ground, once weight is applied for extra frame support.



Minimum Two Persons Assembly



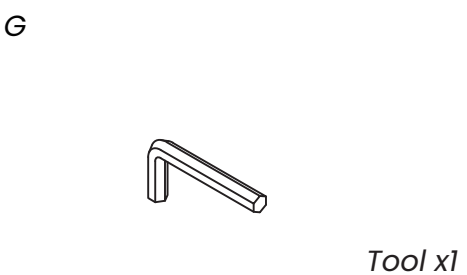
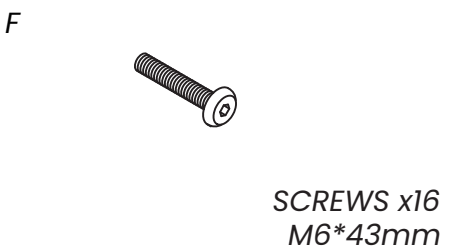
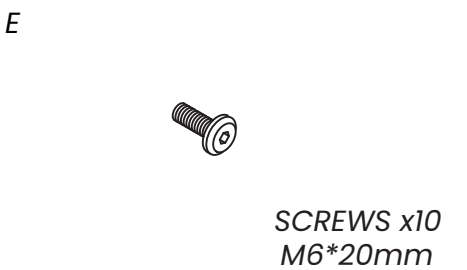
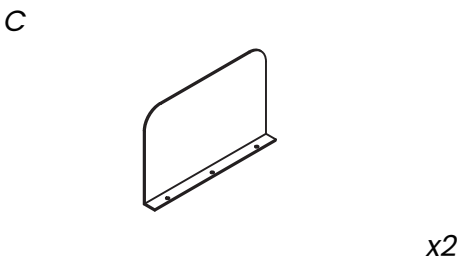
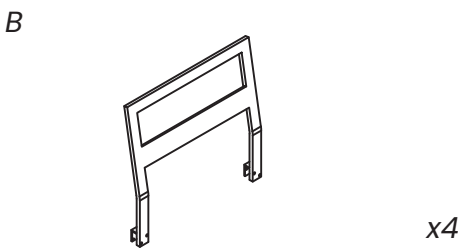
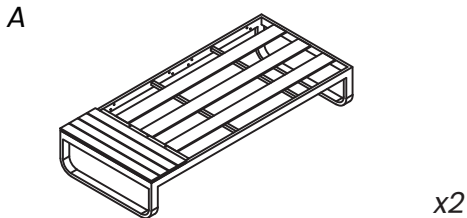
Approx Assembly Time 30minutes



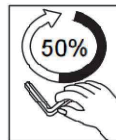
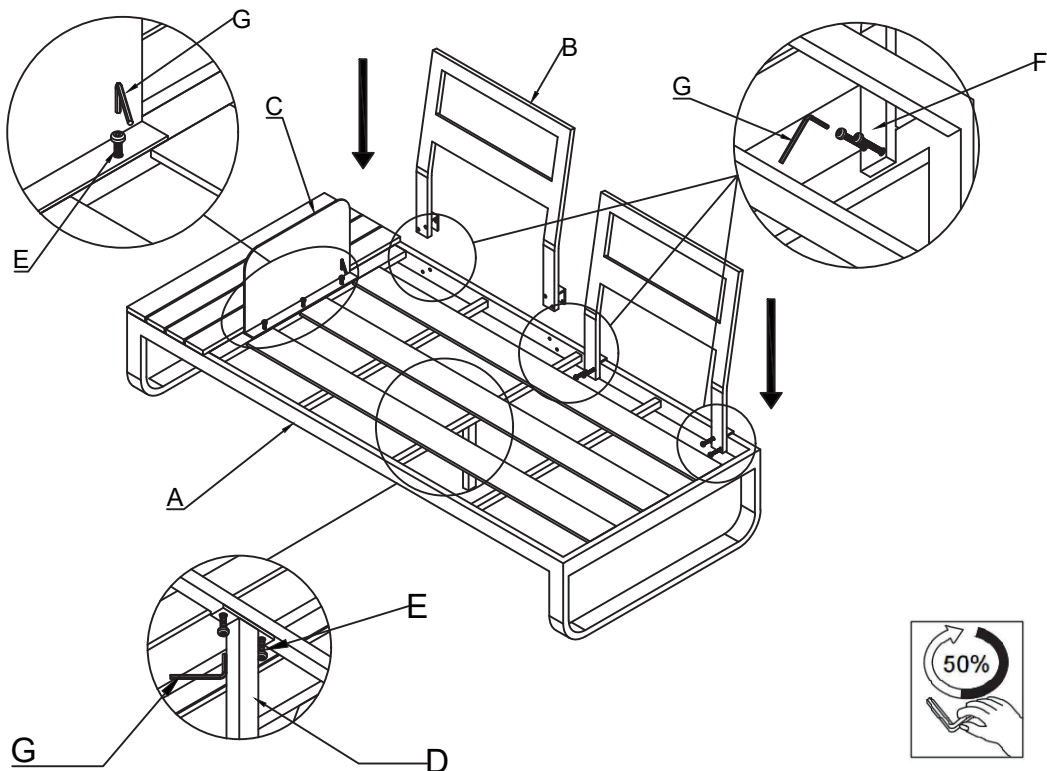
# Milo Garden Lounge Set

CF\_ MLM-212140

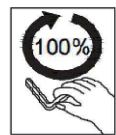
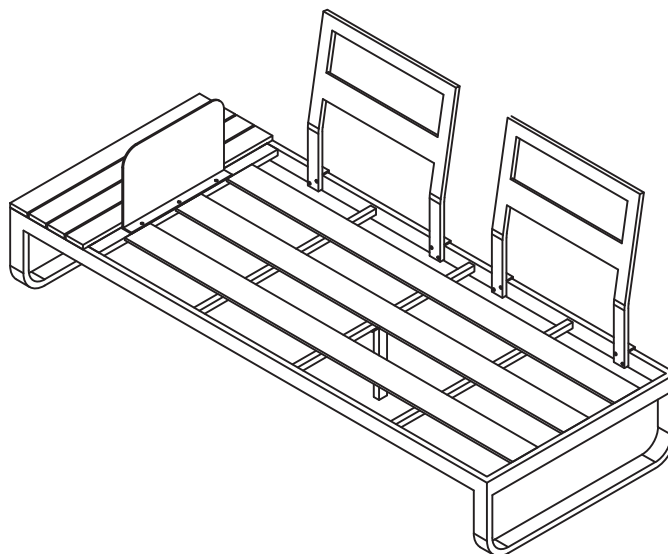
## PRODUCT PARTS INCLUDED



## STEP 1



## STEP 2



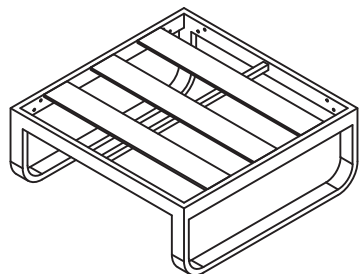


# Milo Garden Lounge Set

CF\_ MLM-212140

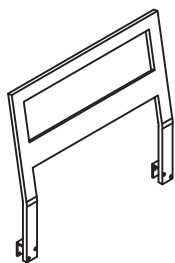
## PRODUCT PARTS INCLUDED

H



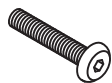
x2

I



x2

F



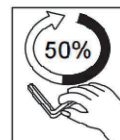
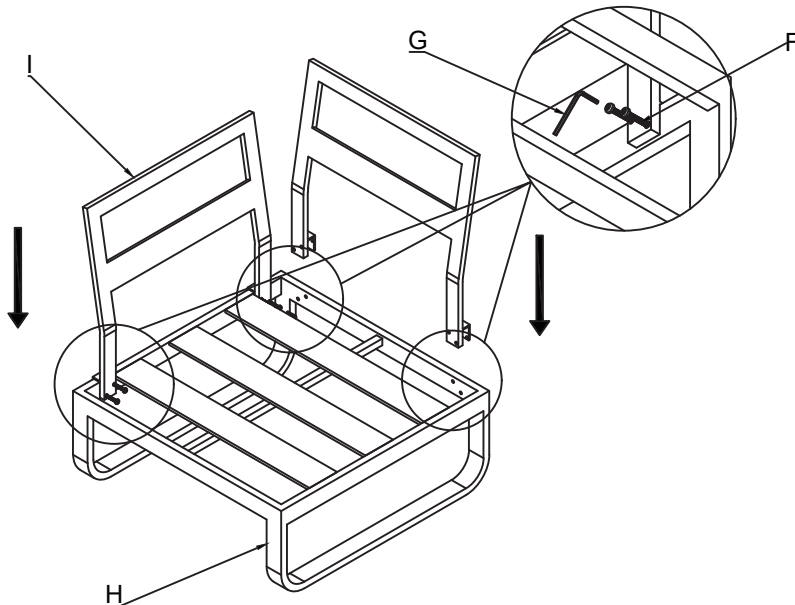
SCREWS x8  
M6\*43mm

G

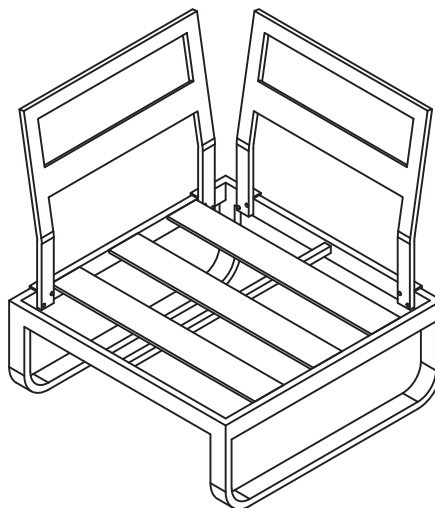


Tool x1

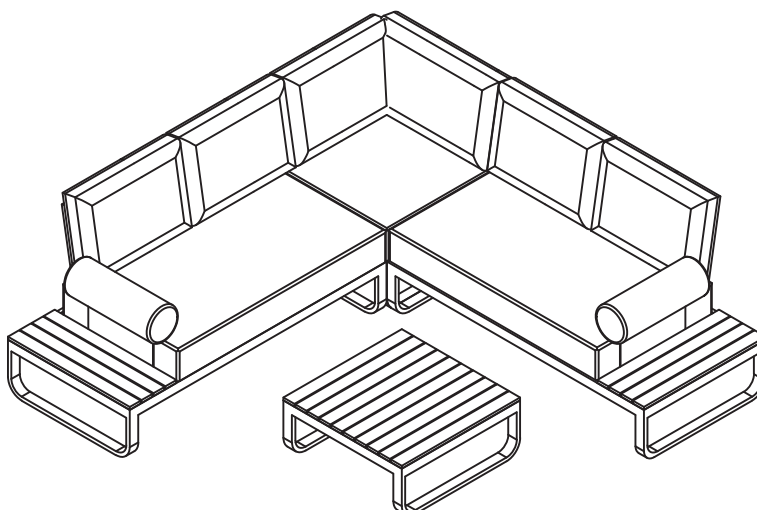
## STEP 3



## STEP 4



## STEP 5



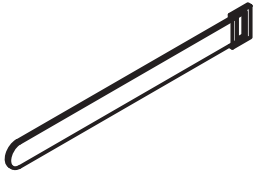


# Milo Garden Lounge Set

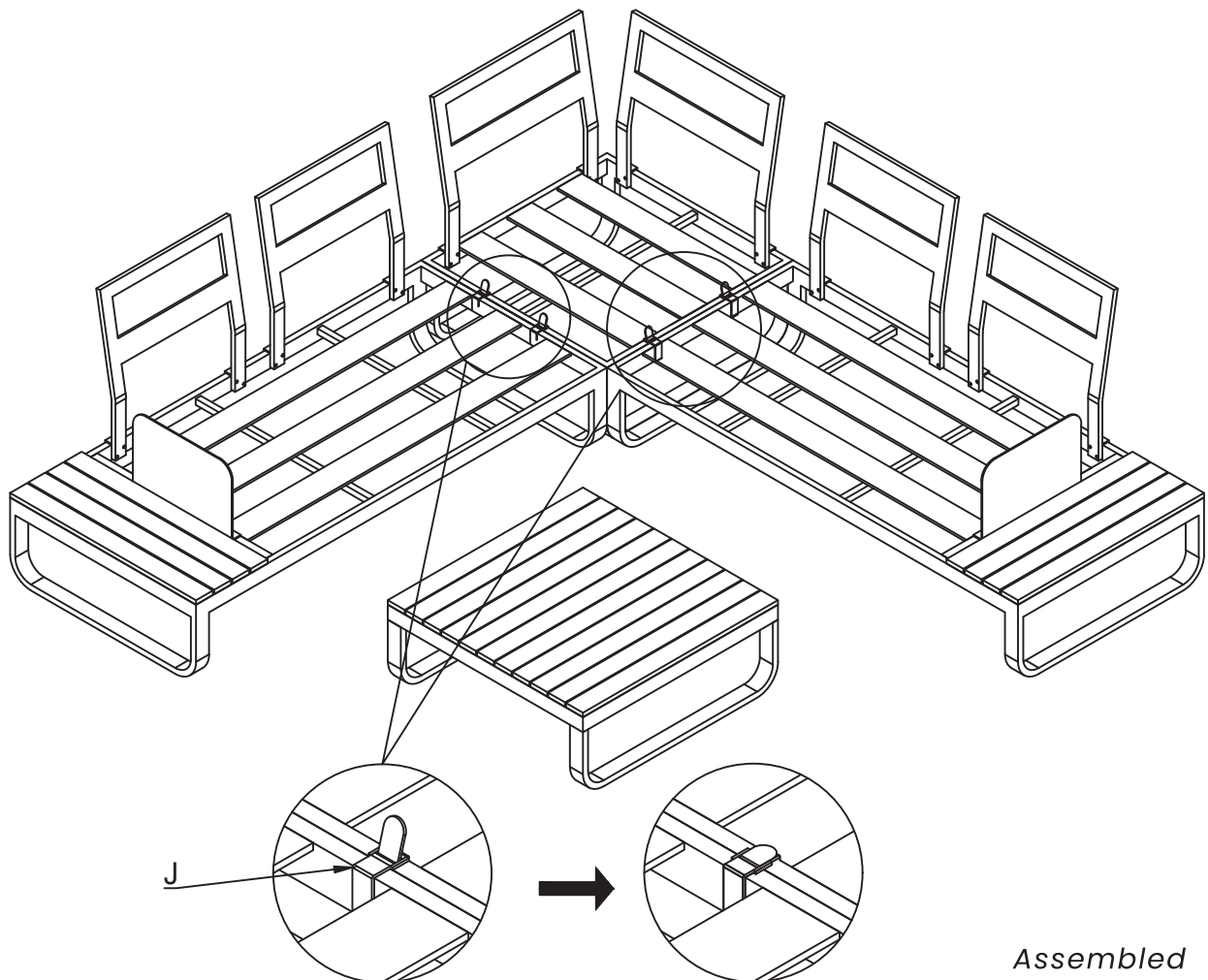
CF\_ MLM-212140

## PRODUCT PARTS INCLUDED

J



X4



*Assembled*