

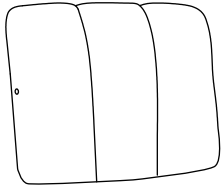


Paulo Accent Chair

CF_PAULO

PRODUCT PARTS INCLUDED

A



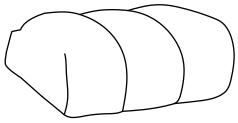
SEAT x1

E



SCREWS x4
M8x60mm

B

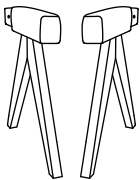


F



FLAT WASHER x8

C



G



TOOL x1

D



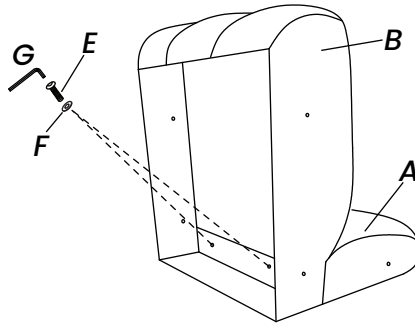
SCREWS x4
M8x40mm

H

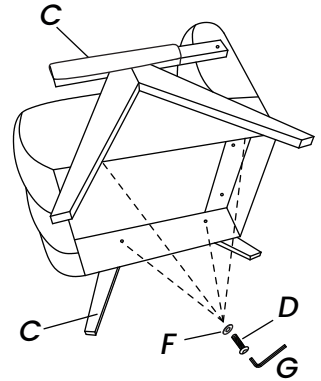


STICKERS x2

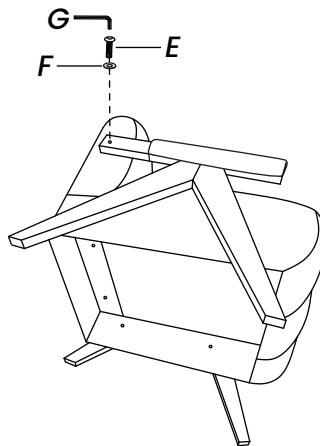
STEP 1



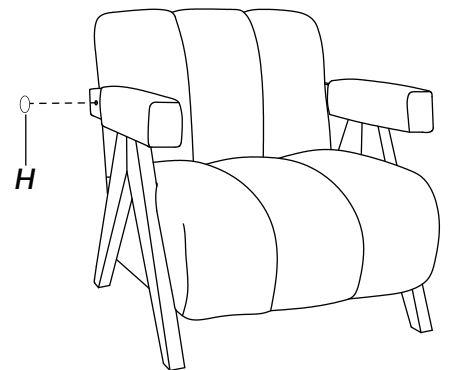
STEP 2



STEP 3



STEP 4



Assembled