

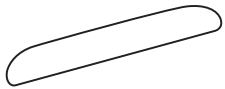
C

Halston Bench

CF_S-8400C

PRODUCT PARTS INCLUDED

A



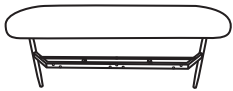
SEAT x1

B



LEGS x1

C



BACKREST x1

D



SHORTER
SCREWS x7
M8*45mm

E



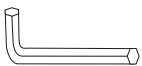
LONGER
SCREWS x6
M6*55mm

F



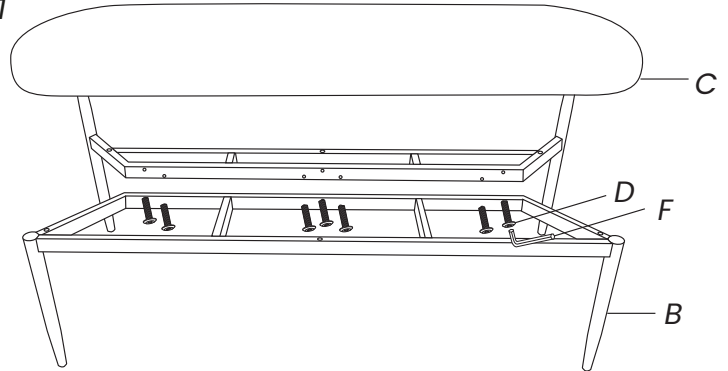
BIGGER
TOOL x1

G

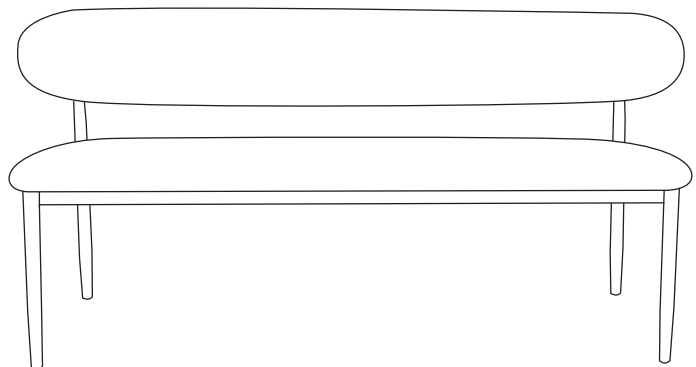
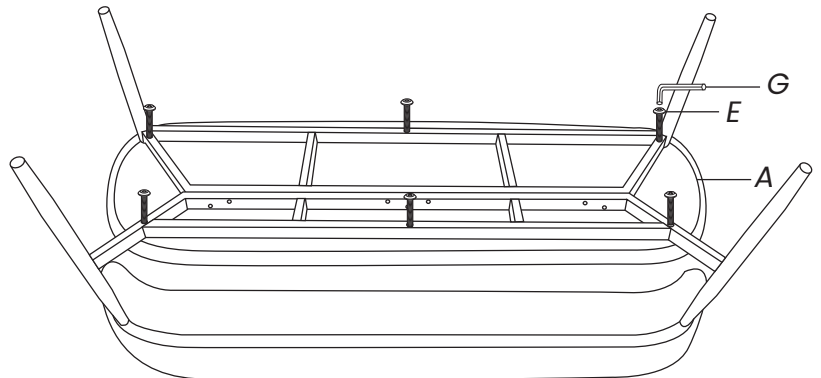


SMALLER
TOOL x1

STEP 1



STEP 2



Assembled