

C

Halston Accent Chair

CF_W-8445C

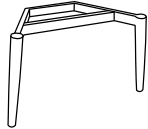
PRODUCT PARTS INCLUDED

A



SEAT x1

B



LEGS x1

C



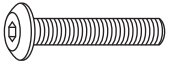
BACKREST x1

D



SHORTER
SCREWS x4
M8*45mm

E



LONGER
SCREWS x4
M6*55mm

F



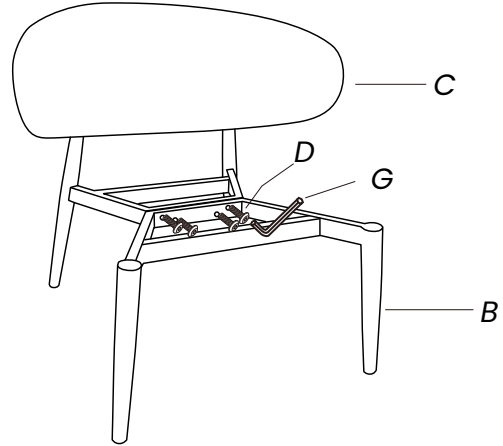
SMALLER
TOOL x1

G

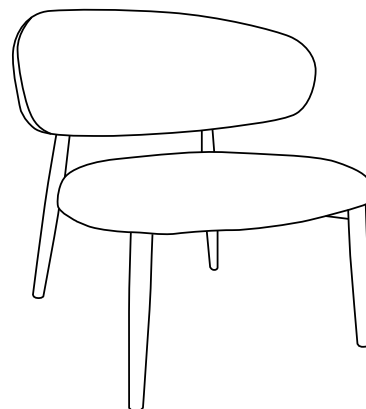
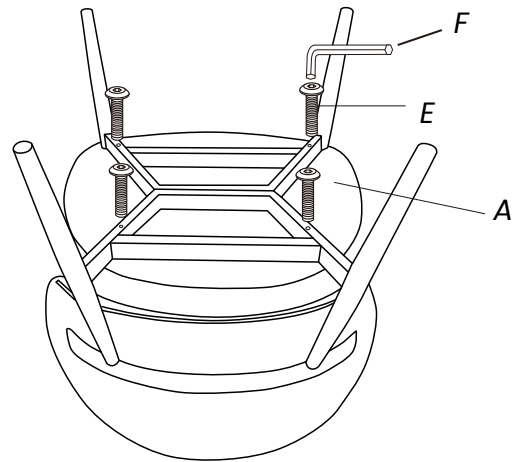


BIGGER
TOOL x1

STEP 1



STEP 2



Assembled