

Arden 2 Drawer Console Table

PRODUCT PARTS INCLUDED

A



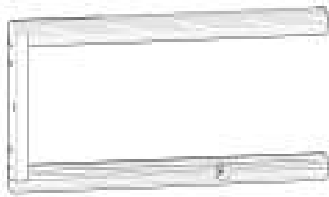
Wooden Structure x 1pc

B



Backside Pannel x01

C



Wooden legs x 2pcs

D



Allen key x 1 pc

E



Bolt x 8pcs

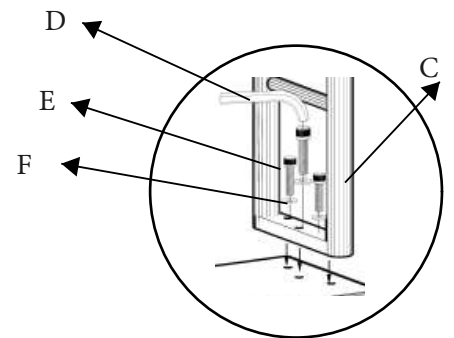
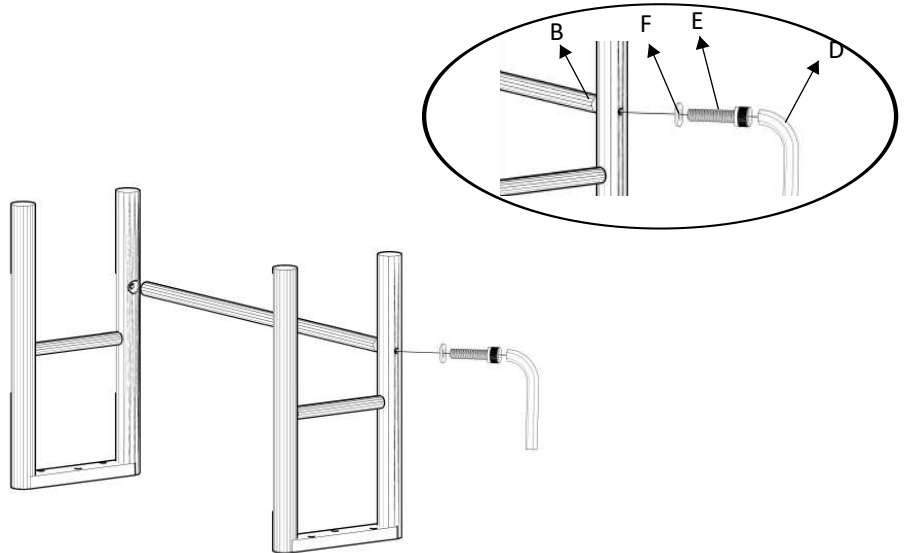
F



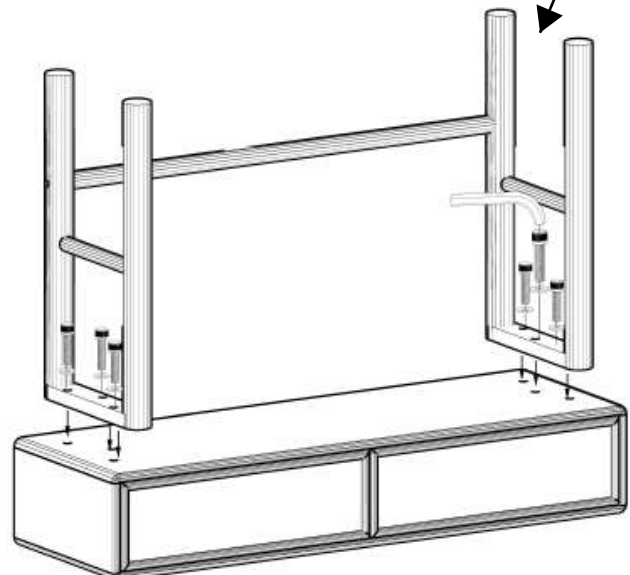
Washer x 8 pcs

STEP 1

**Note:** first assemble center leg's support to both side legs with bolt in big hole just like image.



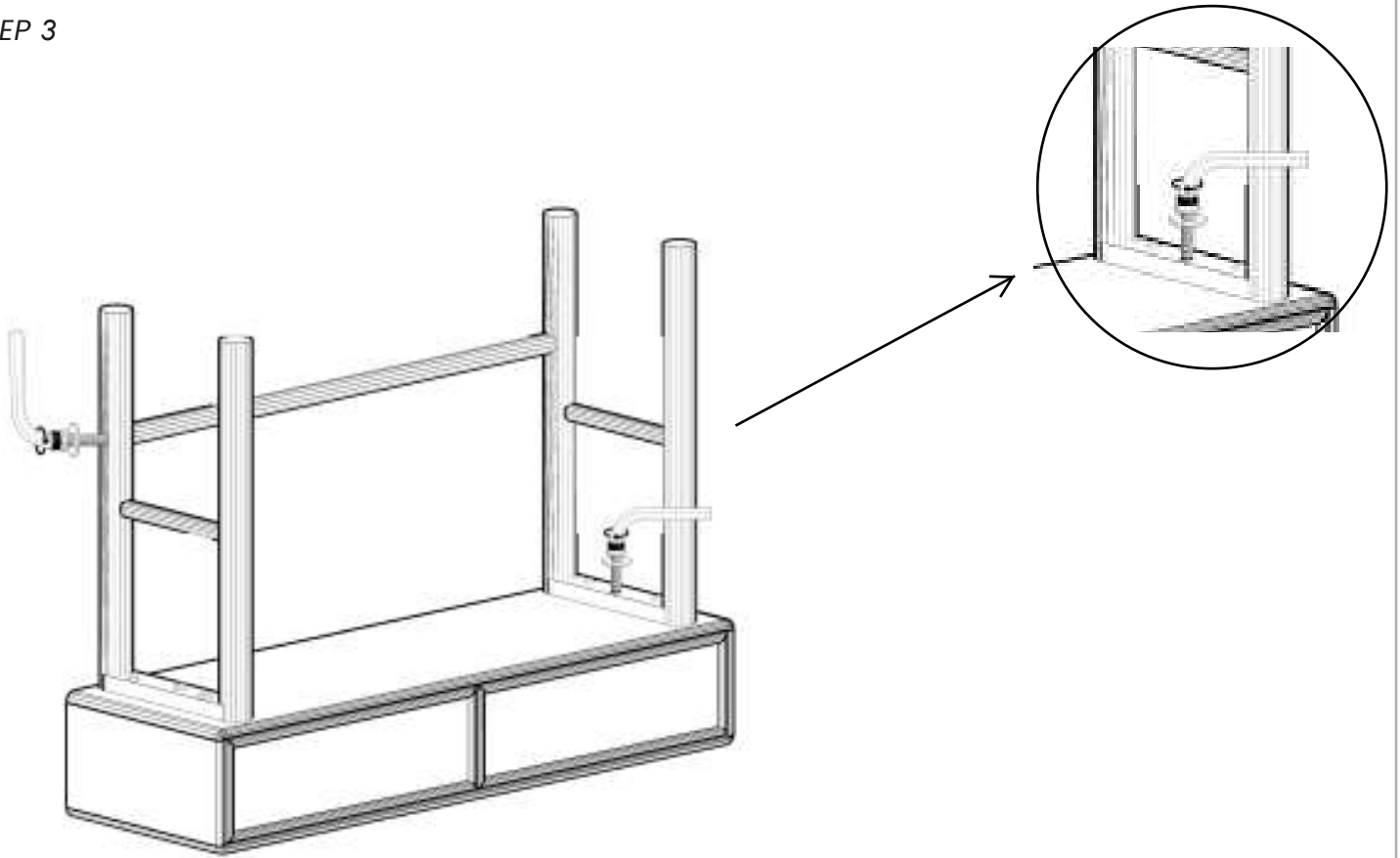
STEP 2



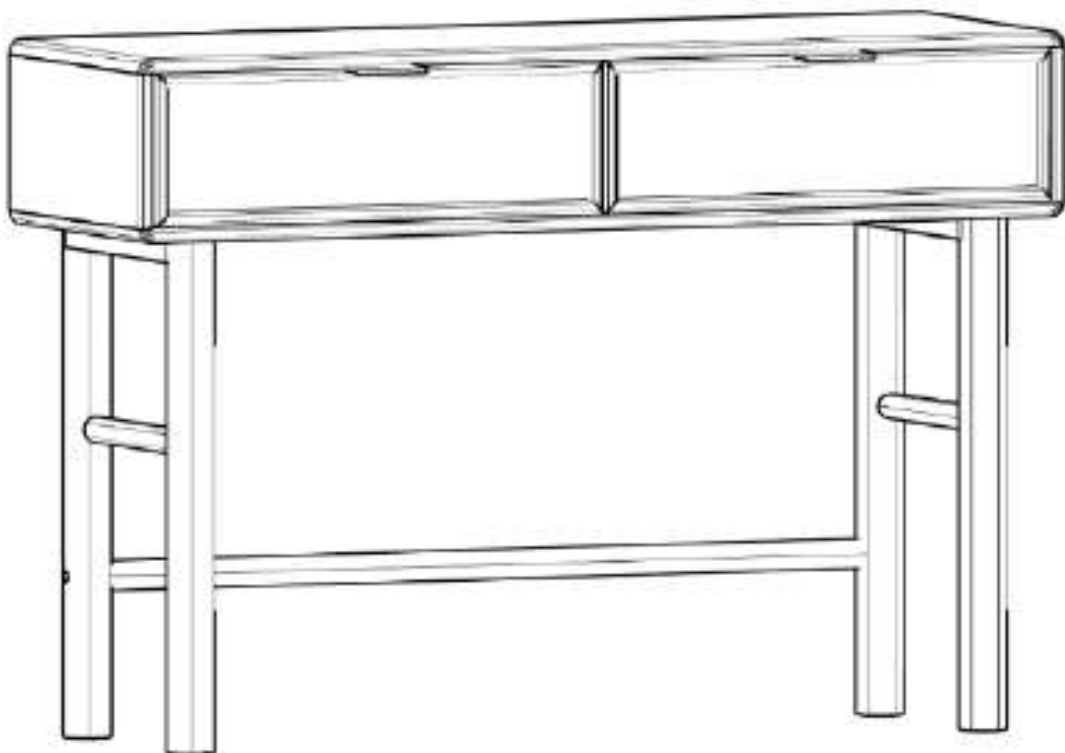


## Arden 2 Drawer Console Table

STEP 3



STEP 4



*Assembled*