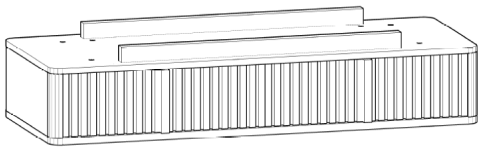


C

Janis Console Table

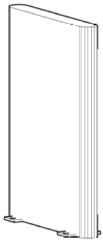
PRODUCT PARTS INCLUDED

A



Wooden Structure x 1pc

B



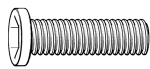
Wooden legs x 2pcs

C



Allen key x 1 pc

D



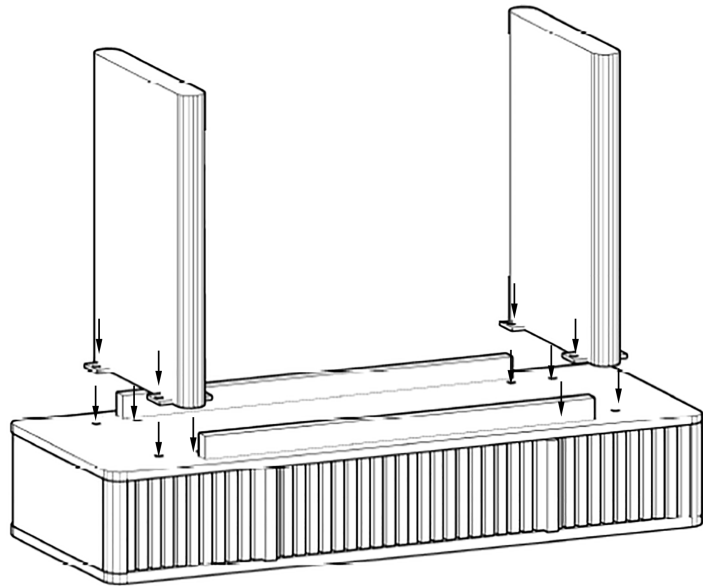
Bolt x 8pcs

E

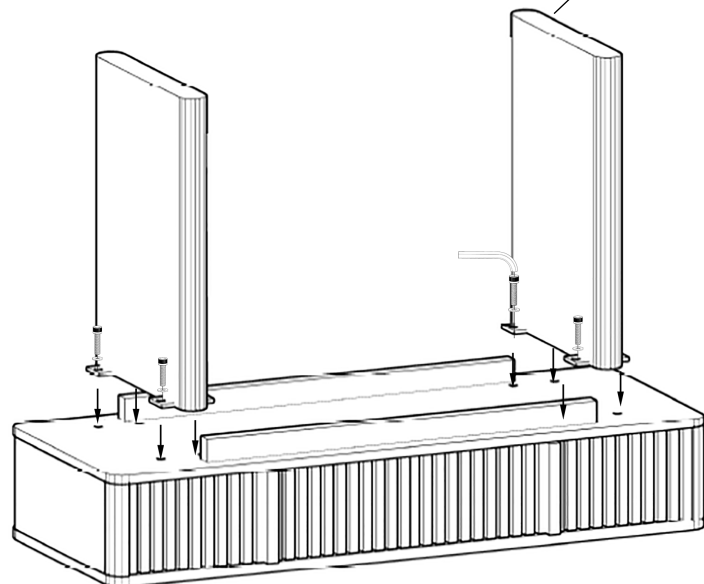
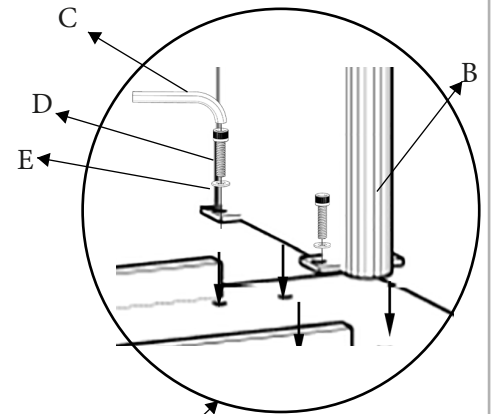


Washer x 8 pcs

STEP 1



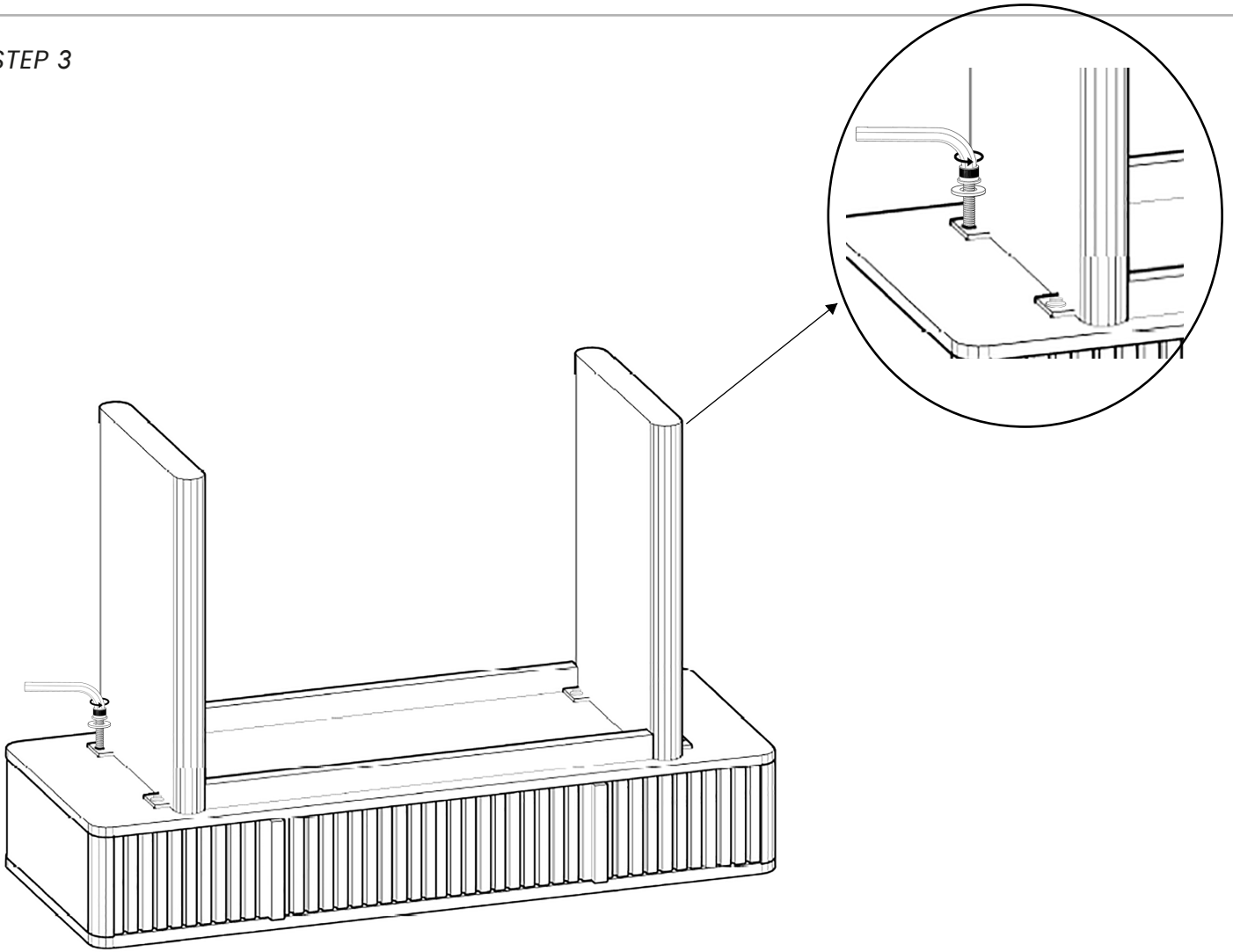
STEP 2



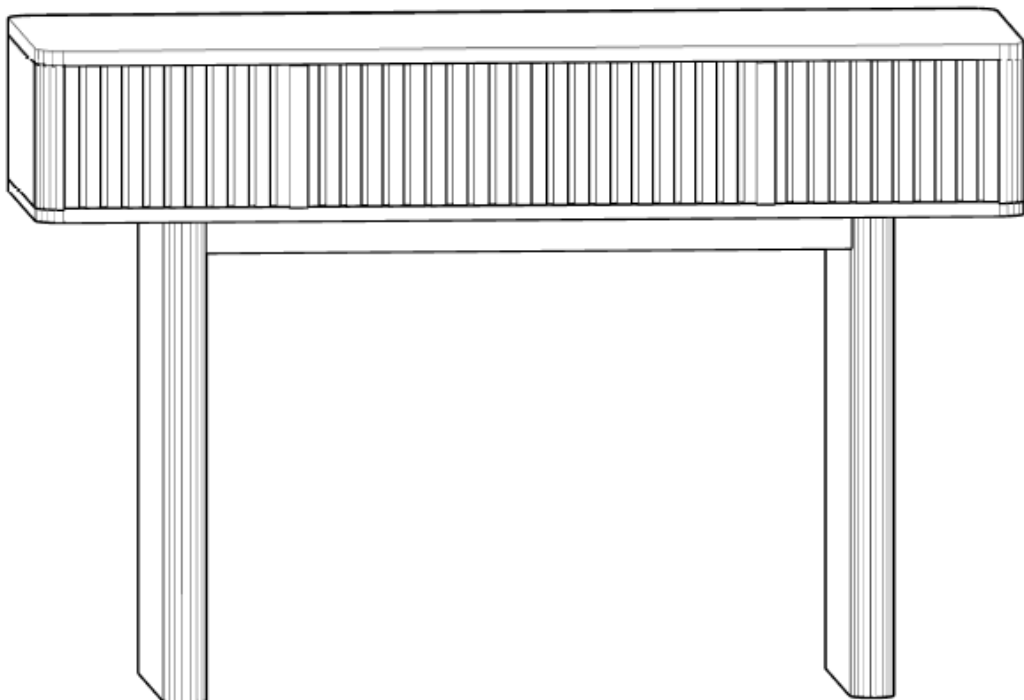
C

Janis Console Table

STEP 3



STEP 4



Assembled