

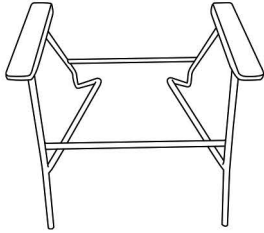


Aspen Accent Chair

CF_CS231

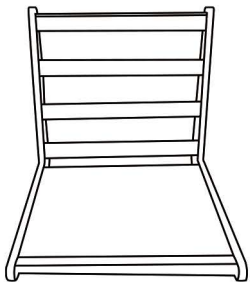
PRODUCT PARTS INCLUDED

A



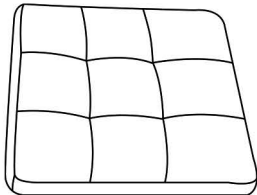
METAL FRAME ×1

B



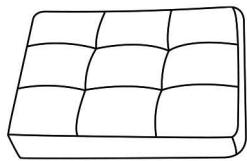
WOODEN FRAME ×1

C



SEAT ×1(52×54CM)

D



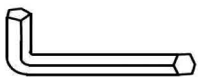
BACK ×1(52×40CM)

E



SCREW ×8(M6*16mm)

F



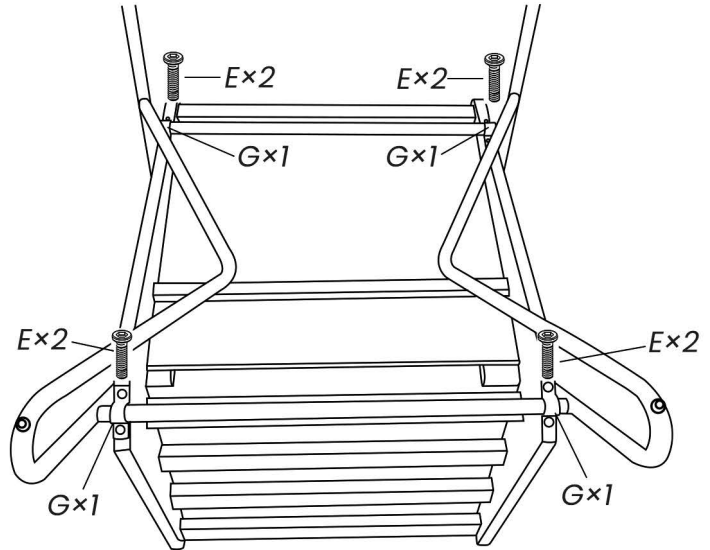
SPANNER ×1

G



FASTENER ×4

STEP 1



STEP 2

