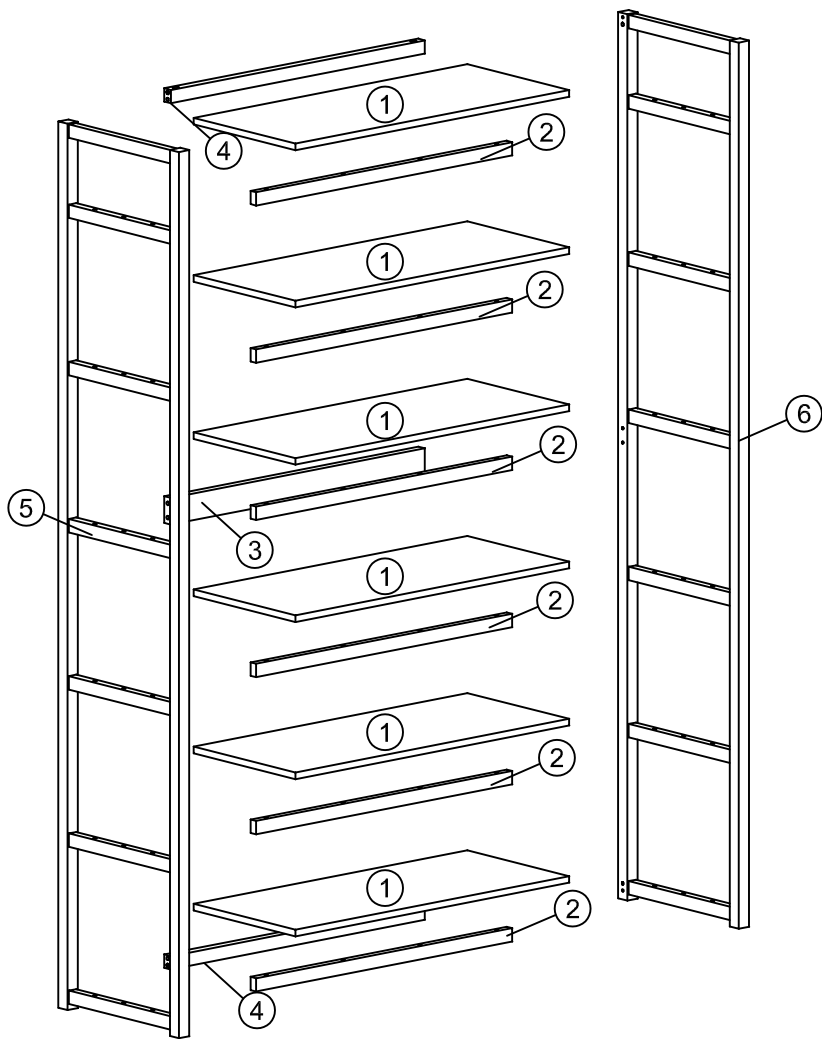
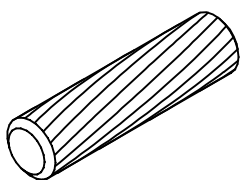
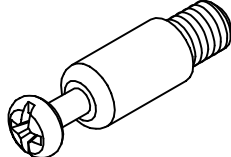
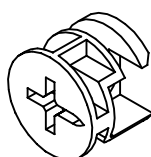
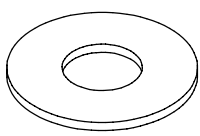
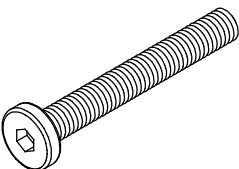
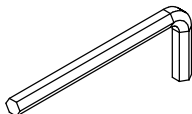
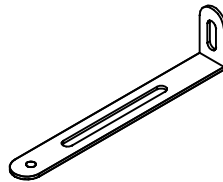
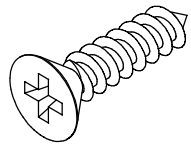
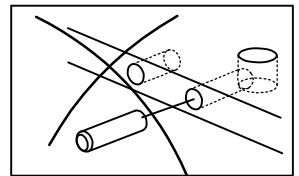
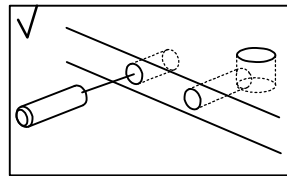
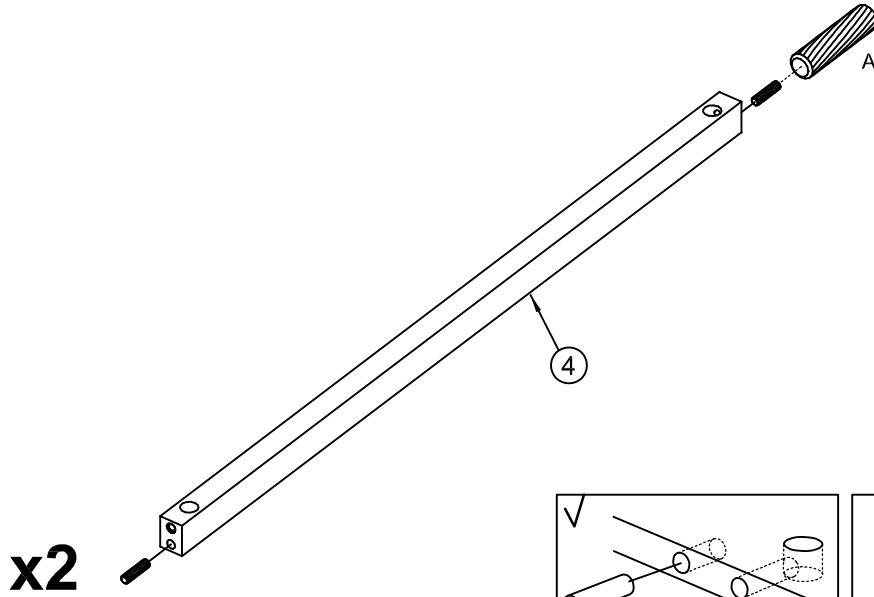
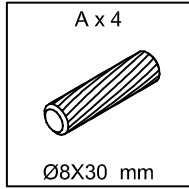


|   |   |                 |   |
|---|---|-----------------|---|
|   |   |                 | ✓ |
| ① | 6 | 798 x 338 x 15  |   |
| ② | 6 | 746 x 29 x 18   |   |
| ③ | 1 | 740 x 60 x 22   |   |
| ④ | 2 | 740 x 30 x 22   |   |
| ⑤ | 1 | 1992 x 400 x 30 |   |
| ⑥ | 1 | 1992 x 400 x 30 |   |

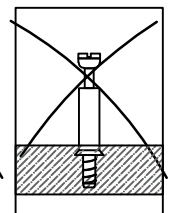
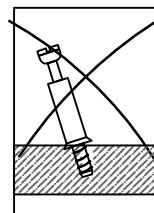
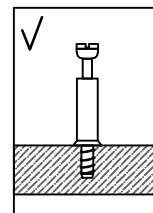
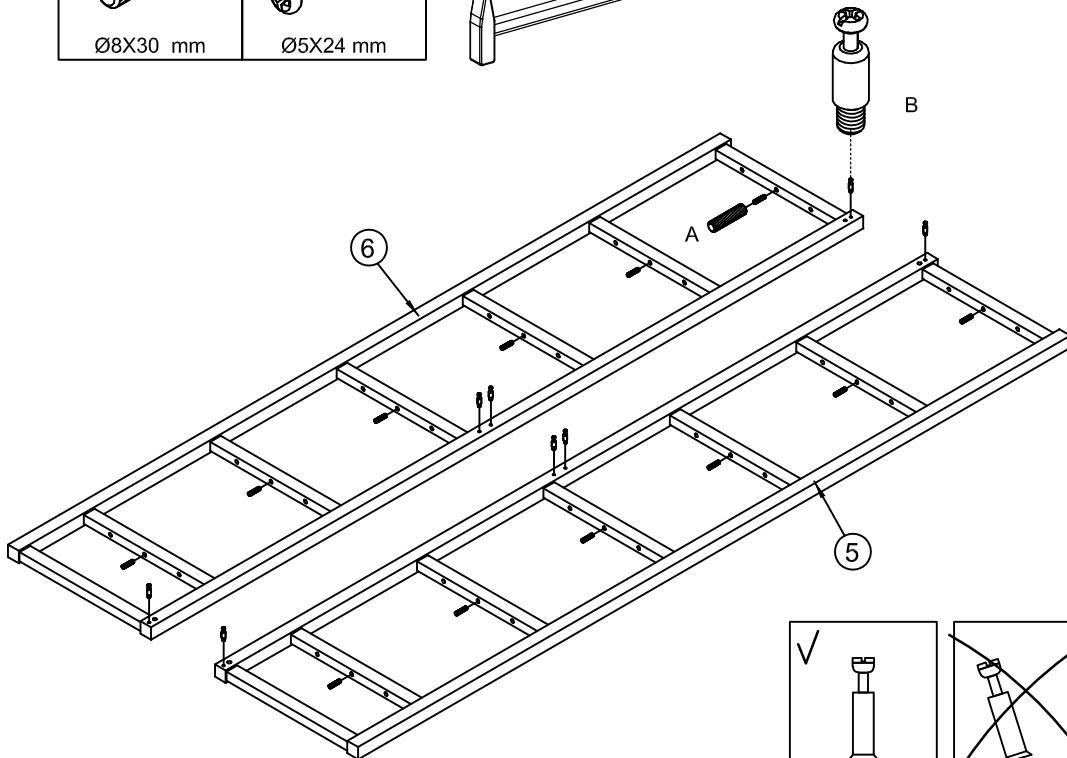
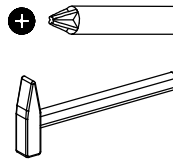
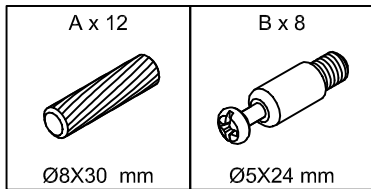


|  |  |  |   |   |
|--|--|--|---|---|
| <p>A x 16</p>  <p>Ø8x30 mm</p> | <p>B x 8</p>  <p>Ø5X24 mm</p>     | <p>C x 8</p>  <p>Ø15x12 mm</p>  | <p>D x 24</p>  <p>Ø6/Ø12 mm</p> | <p>E x 48</p>  <p>M6X35 mm</p> |
| <p>F x 1</p>  <p>4 mm</p>     | <p>G x 2</p>  <p>123X29X15 mm</p> | <p>H x 4</p>  <p>Ø3.5X14 mm</p> |   |   |

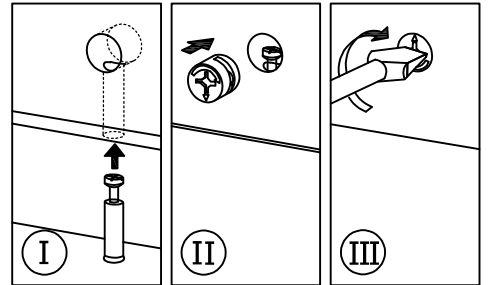
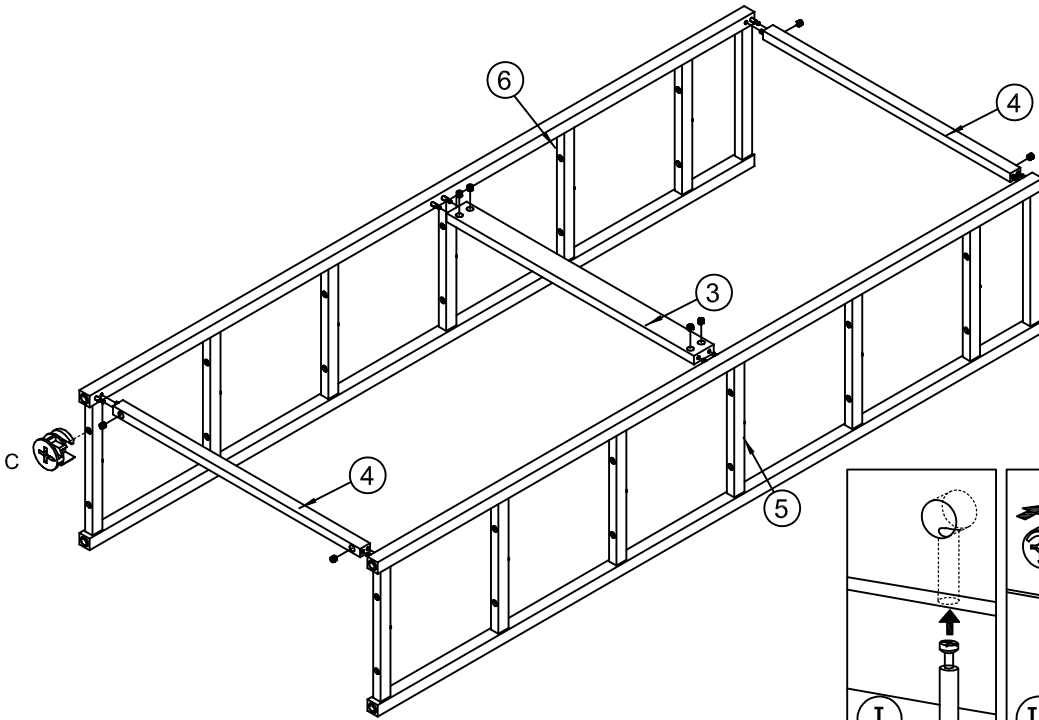
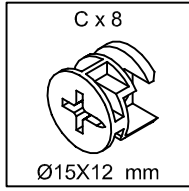
1



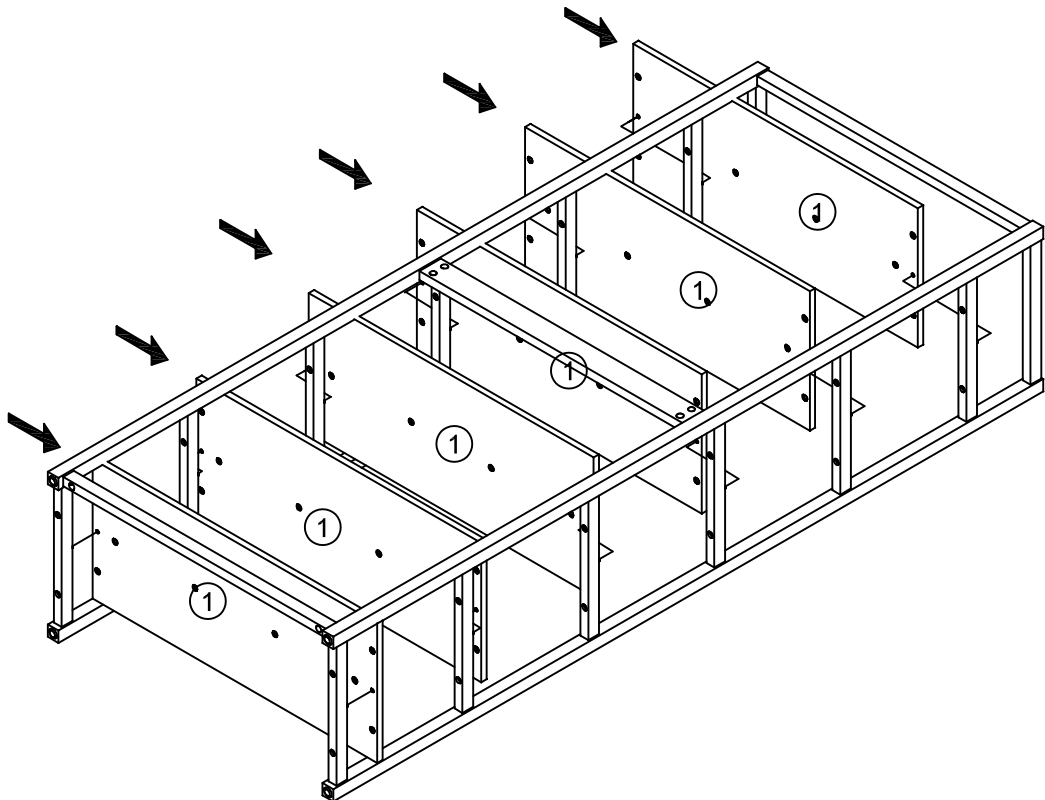
2



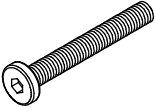

# 3

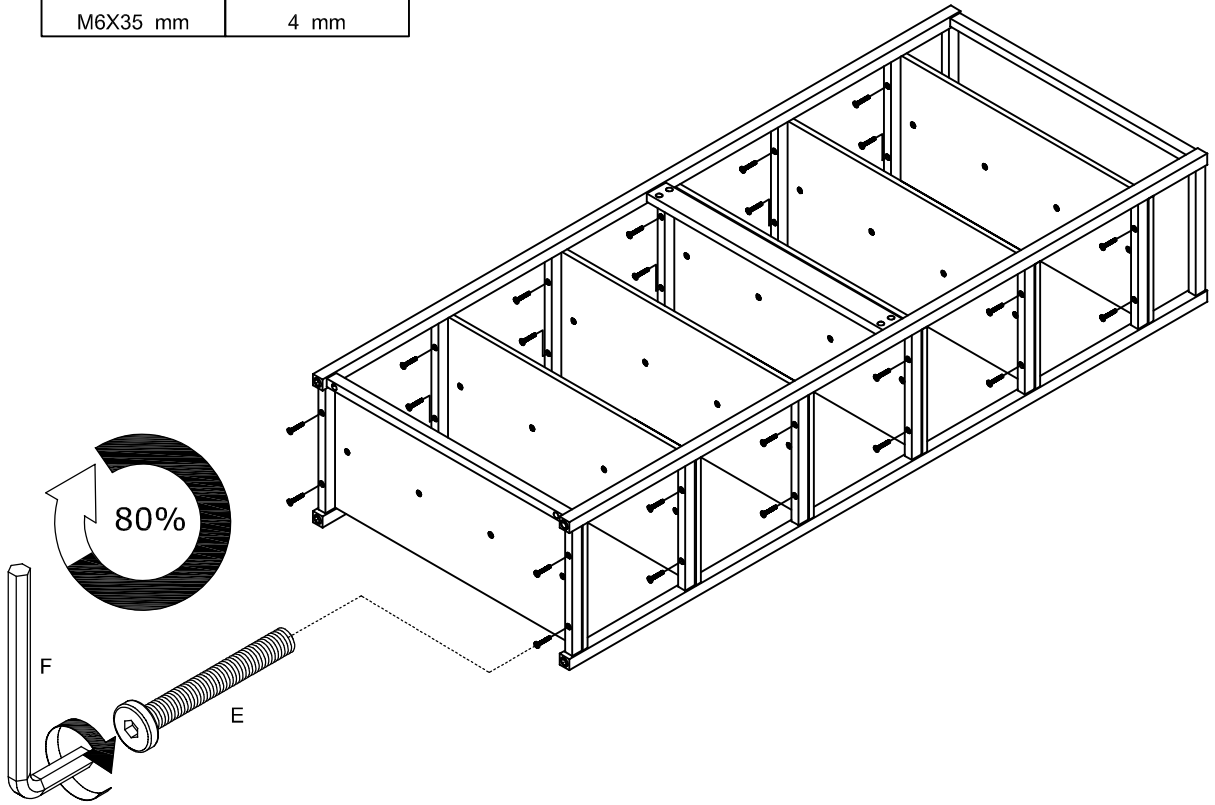


# 4

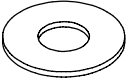
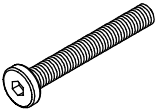



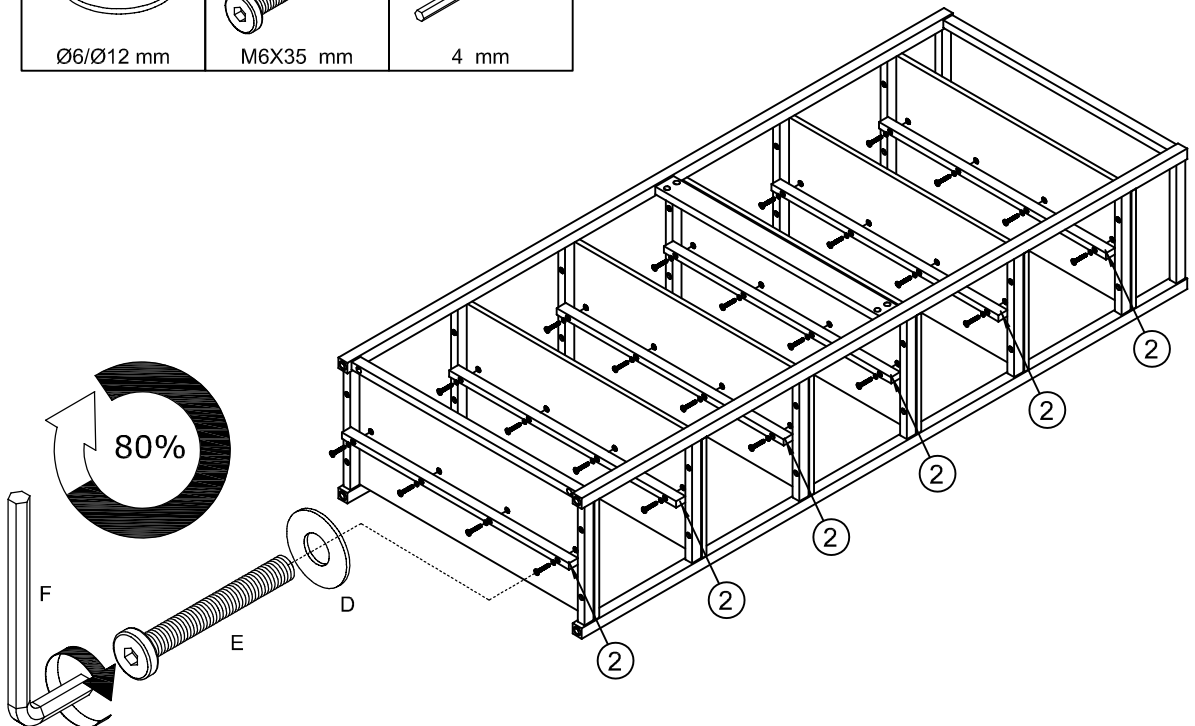
# 5

|   |   |
|---|---|
| E x 24  | F x 1   |
|  |  |
| M6X35 mm  | 4 mm  |

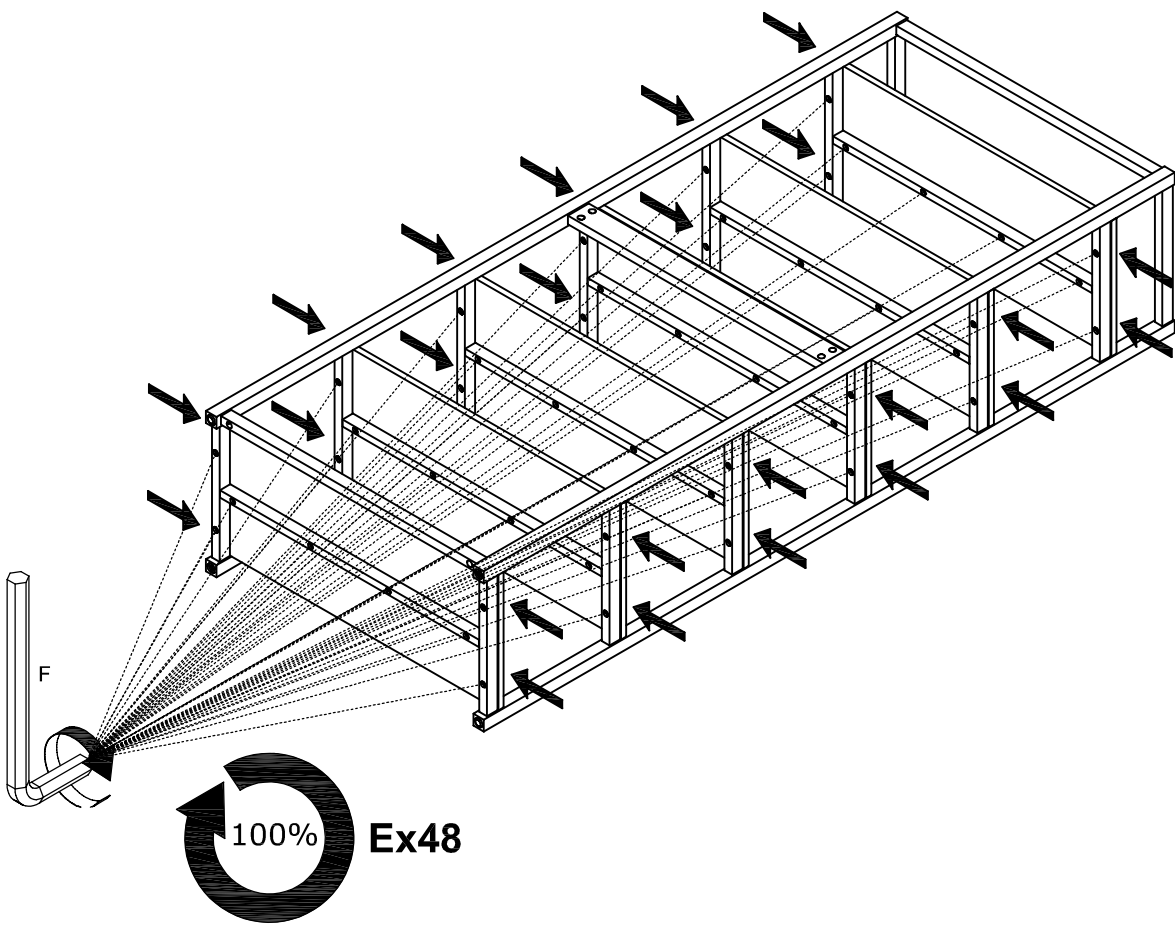
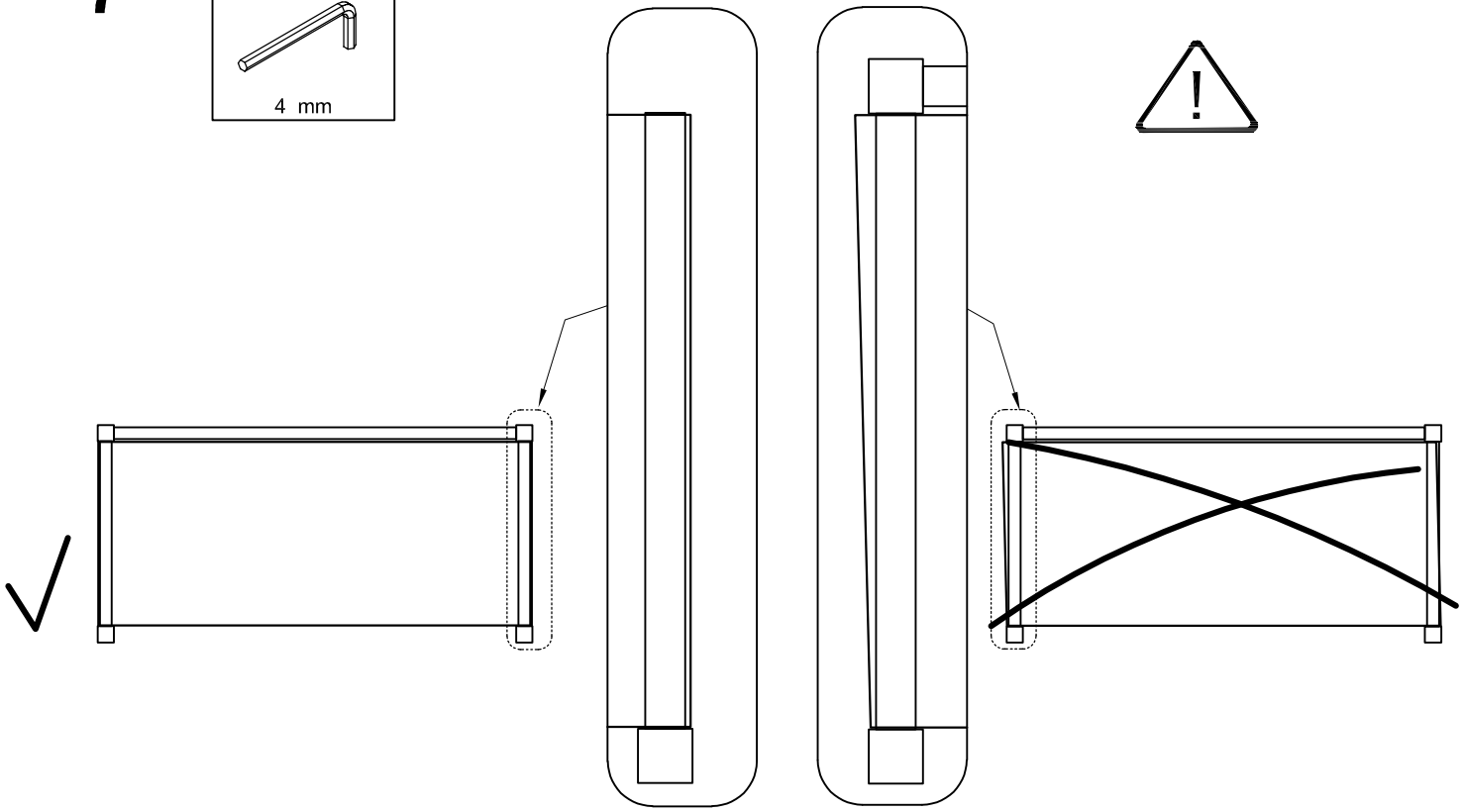
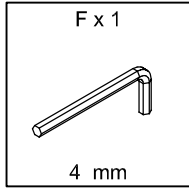


# 6

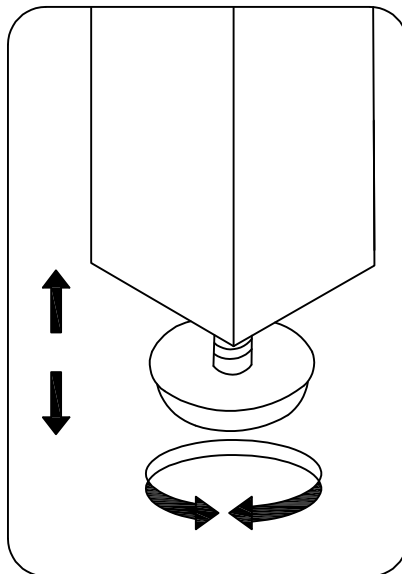
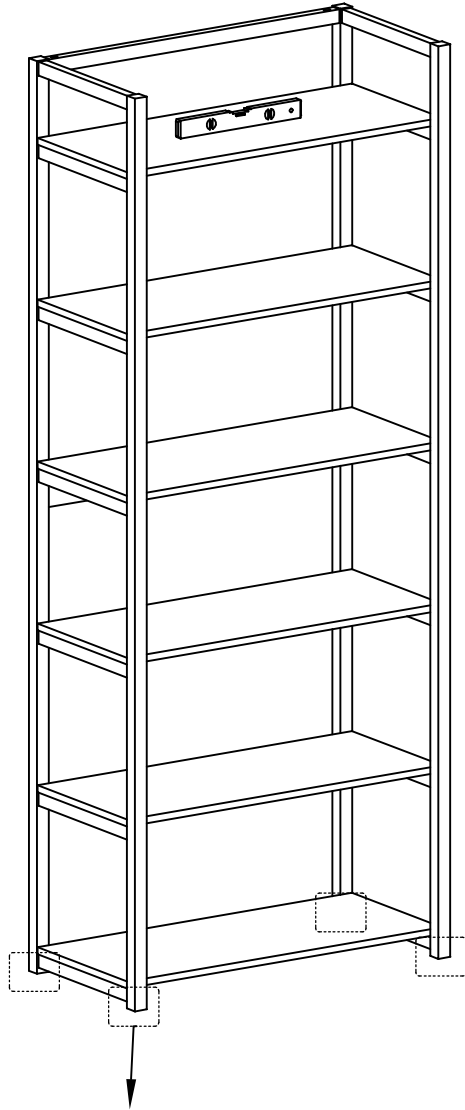
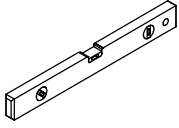
|   |   |   |
|---|---|---|
| D x 24  | E x 24  | F x 1   |
|  |  |  |
| Ø6/Ø12 mm   | M6X35 mm  | 4 mm  |



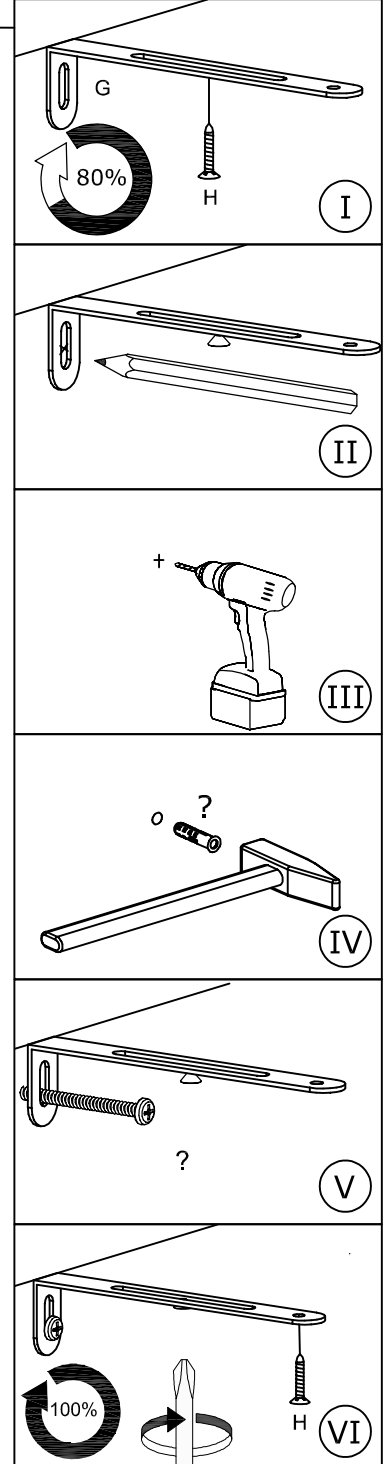
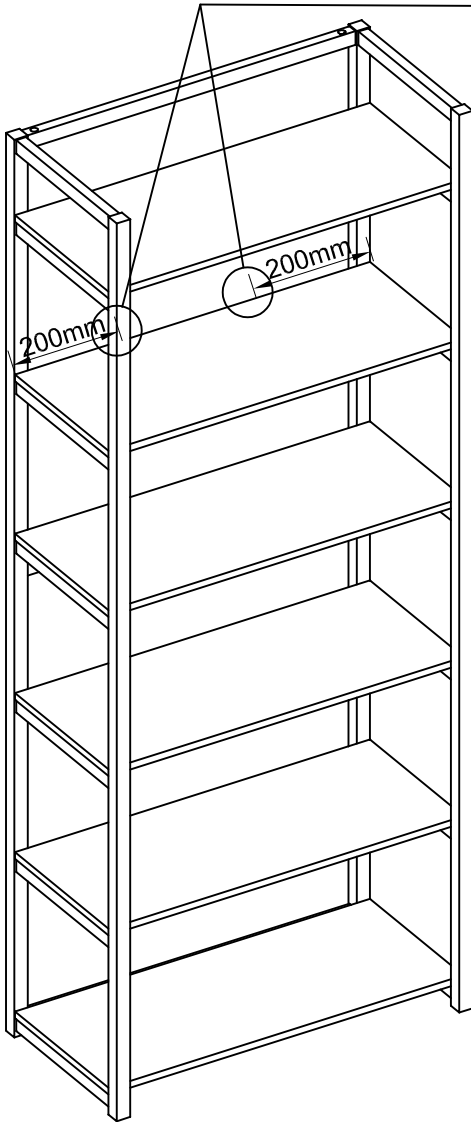
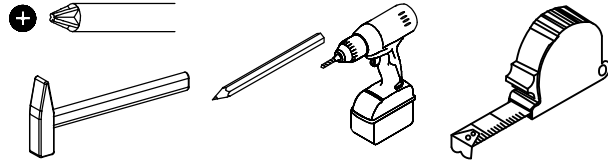
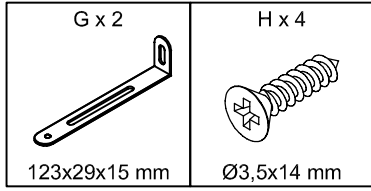
7



8



# 9



# 10

