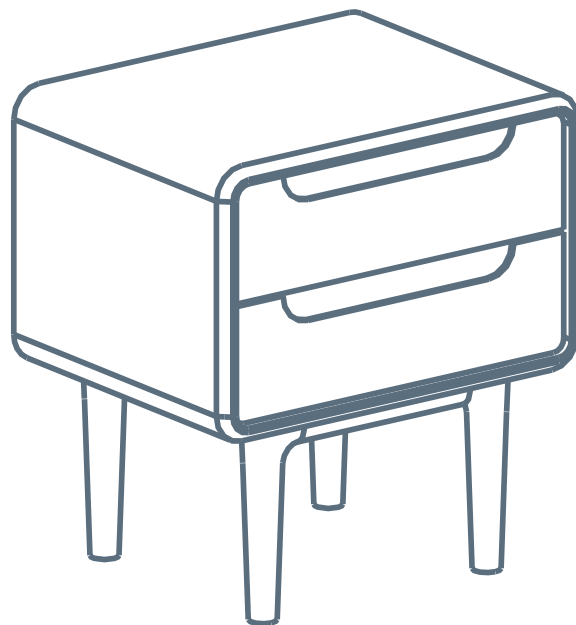




WB03-2 DRAWER BEDSIDE

Assembly Instructions

Product Size: H55CM X W50CM X D40CM



Please retain for future reference

Made in Vietnam

WB03-25-04

Page 1 of 8

If you have any problems, please don't hesitate to get in touch with your retailer directly



WB03-2 DRAWER BEDSIDE

Assembly Instructions

Before you start

Warnings

- > Please retain these instructions for future reference.
- > Keep fittings out of children's reach and keep children well away from the assembly area.
- > Ensure that this product is only used on firm, level ground.
- > Periodically check all fittings and re-tighten as necessary.
- > Do not sit or stand on your furniture.
- > Avoid exposing the furniture to excessive heat or direct sunlight, as this can cause deterioration of the colour.
- > Wood will mellow and change colour over time, ornaments and items placed on the surface should be moved regularly for the first few months to prevent uneven mellowing.

Number of people required to assemble
2 persons are required to assemble this item.

Time to assemble
Approximately 15 minutes required to assemble this item.

Tools required



Do

- > Spend a short time reading through this leaflet before you start.
- > Make sure that you have the right tools and plenty of space.
- > Unwrap all parts and place components on a clean surface to protect them from damage.
- > The packaging should be used to protect the product during assembly.
- > Carefully check that you have all parts before beginning assembly.
- > The furniture should be assembled in the room that it is intended to be used in.
- > Ensure the product is fully assembled as shown, and that all fixings are fully tightened before use.
- > Wipe occasionally with a soft cloth slightly dampened with water, then buff with a dry clean soft cloth.

Don't

- > Do not drag or pull your furniture.
- > Do not use silicone based furniture polish. Silicone in furniture polishes can break down the finish.
- > Never allow any kind of liquid to remain on your furniture.
- > Absorption can cause wood to warp or finishes to de-laminate.
- > Do not place hot items (e.g. hot drinks) directly on to the wood surface. Please make sure you use a placemat or coaster.



WB03-2 DRAWER BEDSIDE

Assembly Instructions

WARNING!

In order to prevent overturning this product must be used with the wall attachment device provided. Serious or fatal crushing injuries can occur from furniture overturning.

To help prevent this:

- Use the wall attachment devices provided
- Never allow children to climb or hang on drawers, doors or shelves
- Do not overload drawers
- Place heaviest items in the lower drawers or shelves
- Unless specifically designed to accommodate, do not place TV's or other heavy objects on top of this product
- Never open more than one drawer at a time

An attachment device is provided with your product. Fixings may be included, however please ensure that these are suitable for your wall type. If they are not, you will need to source suitable fixings for your wall type. If in doubt consult a qualified trades person.

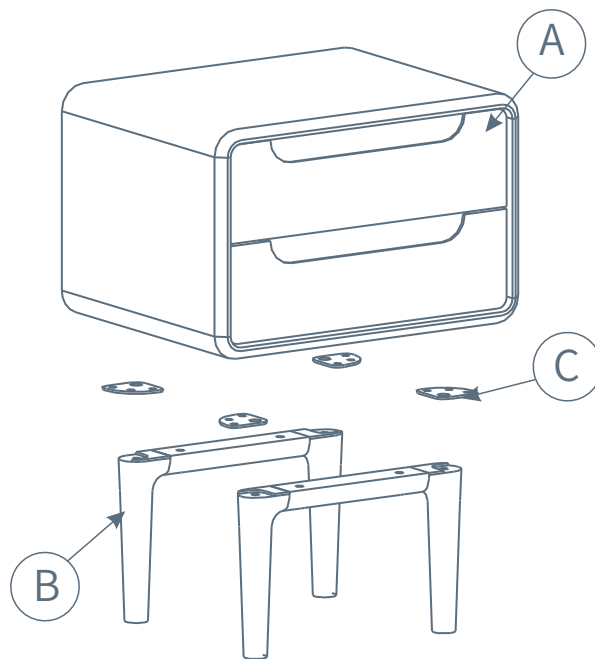
Always ensure that any walls being drilled into are free from hidden electrical wires, water, and gas pipes. If in doubt consult a qualified trades person.




WB03-2 DRAWER BEDSIDE

Assembly Instructions


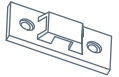


Getting to know your product

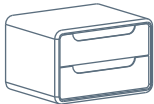

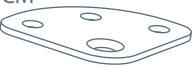


Other fixtures and fittings supplied (not to scale)

| # | Dimensions | Qty |
|---|--|-----|
| 1 |  4 mm | 1 |

Main fixtures and fittings supplied (to scale)

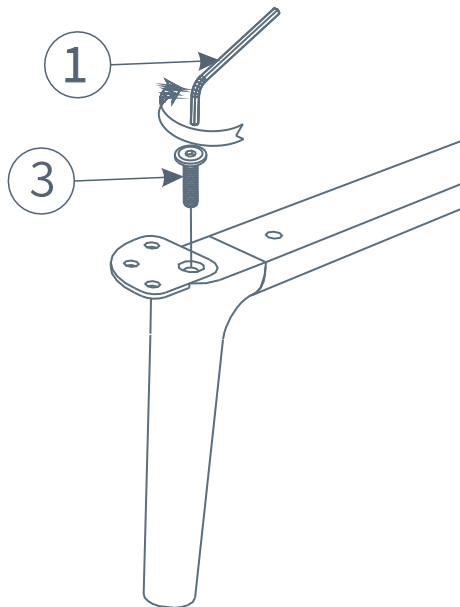
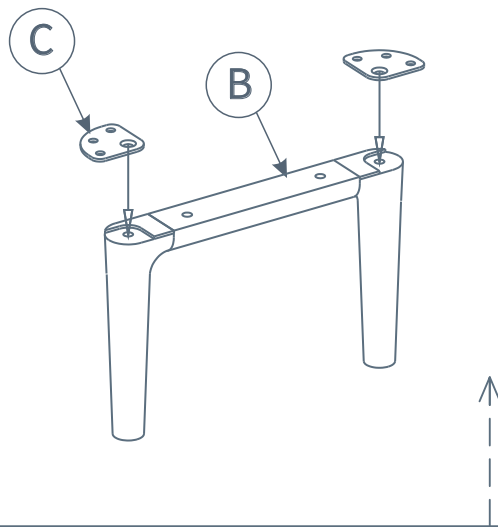
| # | Dimensions | Qty | # | Dimensions | Qty |
|---|--|-----|---|---|-----|
| 2 |  M6 X 30 | 4 | 4 |  ANTI TIP KIT | 1 |
| 3 |  M6 X 15 | 16 | 5 |  | 1 |

| # | Dimensions | Visual | Qty | Ctn |
|---|--------------------------|---|-----|-----|
| A | H32CM X W50CM X D40CM |  | 1 | 1 |
| B | H23CM X W35.8CM X D4.8CM |  | 2 | 1 |
| C | H0.3CM X W6.5CM X D6.5CM |  | 4 | 1 |



WB03-2 DRAWER BEDSIDE Assembly Instructions

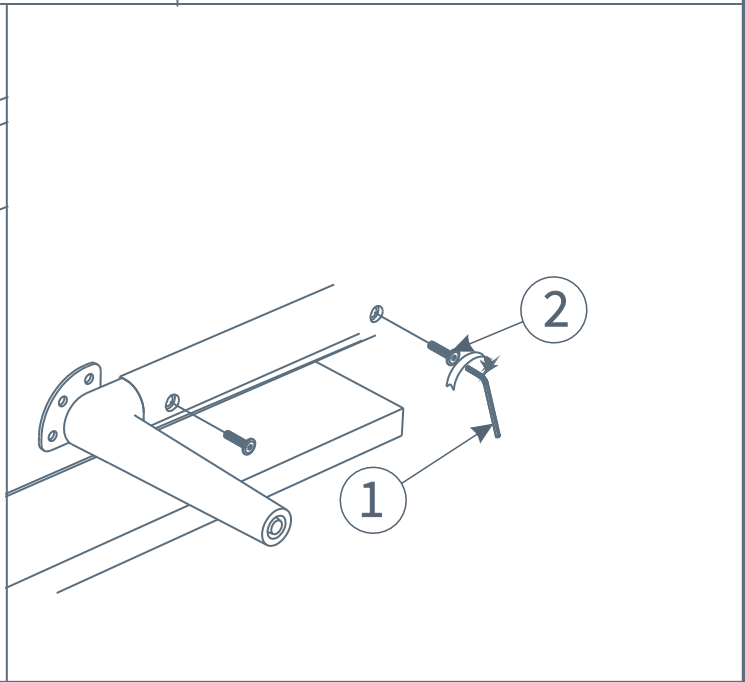
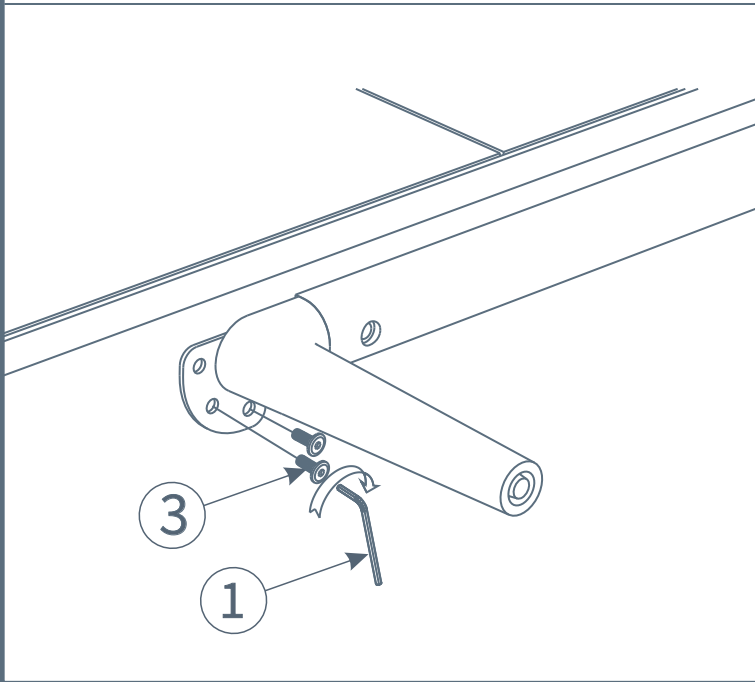
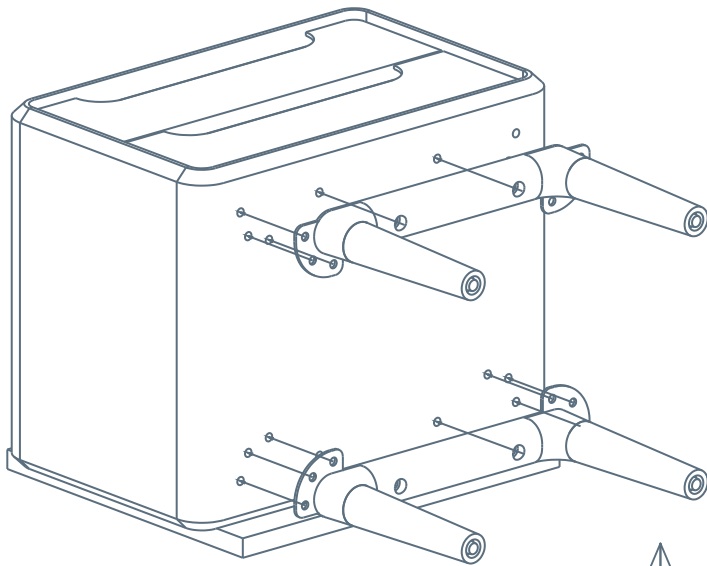
1





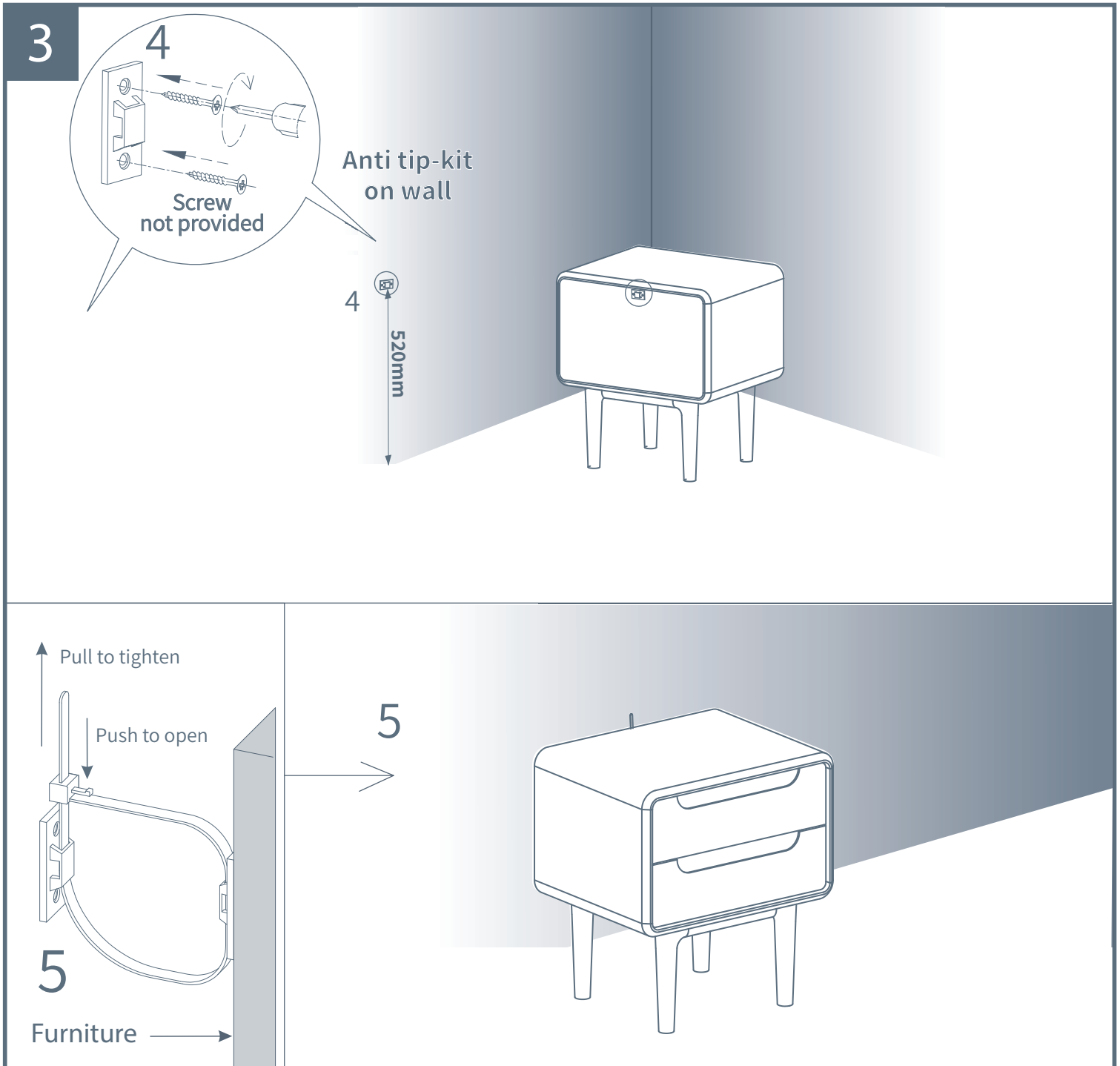
WB03-2 DRAWER BEDSIDE Assembly Instructions

2





WB03-2 DRAWER BEDSIDE Assembly Instructions





WBO3-2 DRAWER BEDSIDE Care Guide

- As a natural material, wood will continue to move and be affected by its surroundings.
- Changes in humidity and temperature can lead to warping and /or cracks in the wood. Therefore, it is advisable not to place your furniture against a direct heat source or air conditioning unit.
- Over time, with changes in the atmosphere and light, the wood will mellow.
- To ensure an even tone we recommend that it is not left in direct sunlight and any objects placed on the furniture should be regularly moved around to help avoid colour differences.
- If you have chosen an extending dining table, it may be beneficial to leave your table extended for a period to allow the extension leaf to mellow with the rest of the tabletop.
- Your furniture has been finished with an NC Lacquer.

General care

- Assemble the product in the room intended for use.
- Always lift your furniture to move it, never drag or push it as this can cause damage.
- Regularly check all fixings and tighten if necessary.
- Wipe with a soft, slightly damp, lint free cloth. Buff with a dry, clean cloth.
- Wipe up spills immediately, never leave liquids sitting on the surface as this can damage the finish.
- Always use mats and coasters to protect the surface when in use.
- Never place hot items directly onto the surface.
- Do not use silicon-based furniture polish as the silicon can affect the finish.