

---

## DRESSING TABLE MIRROR

### Assembly Instructions

**Product Size:** H80.2cm x W111.5cm x D38.6cm



**NOTE:** THIS MODEL IS DESIGNED EXCLUSIVELY FOR USE WITH THE REED BEDROOM DRESSING TABLE AND CAN NOT NOR SHOULD NOT BE WALL MOUNTED.

Please retain for future reference

# DRESSING TABLE MIRROR

## Assembly Instructions

### Before You Start

#### Warnings

Please retain these instructions for future reference.

- > Keep fittings out of children's reach and keep children well away from the assembly area.
- > Ensure that this product is only used on firm, level ground.
- > Periodically check all fittings and re-tighten as necessary.
- > Do not sit or stand on your furniture.
- > Avoid exposing the furniture to excessive heat or direct sunlight, as this can cause deterioration of the colour.
- > Wood will mellow and change colour over time, we recommend that ornaments and items placed on the surface are moved regularly for the first few months to prevent uneven mellowing.

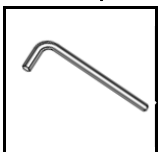
#### Number of People Required to Assemble

2 persons are required to assemble this item.

#### Time to Assemble

Approximately 20 minutes required to assemble this item.

#### Tools required



#### Missing Parts or Issues

If you have any problems, please don't hesitate to get in touch with your retailer directly.

#### Do

- > Spend a short time reading through this leaflet before you start.
- > When you are ready to start, make sure that you have the right tools and plenty of space.
- > Unwrap all packaging materials and place components on a clean surface to protect them from damage.
- > The packaging should be used to protect the product during assembly.
- > Carefully check that you have all parts before beginning assembly.
- > The furniture should be assembled in the room that it is intended to be used in.
- > Ensure the product is fully assembled as shown, and that all fixings are fully tightened before use.
- > Wipe occasionally with a soft cloth slightly dampened with water, then buff with a dry clean soft cloth.

#### Don't

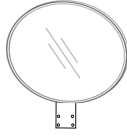
- > Do not drag or pull your furniture.
- > Do not use silicone based furniture polish. Silicone in furniture polishes can break down the finish.
- > Never allow any kind of liquid to remain on your furniture.
- > Absorption can cause wood to warp or finishes to delaminate.
- > Do not place hot items (e.g. hot drinks) directly on to the surface. Make sure you always use a placemat or coaster.

# DRESSING TABLE MIRROR

## Assembly Instructions



### Getting to Know your Product

Components supplied. Please use this guide if you require replacement parts.


#	NAME	Visual	Qty	Ctn
1	Mirror		1	

### Fixtures and Fittings

Main Fixtures and Fittings Supplied (To Scale)

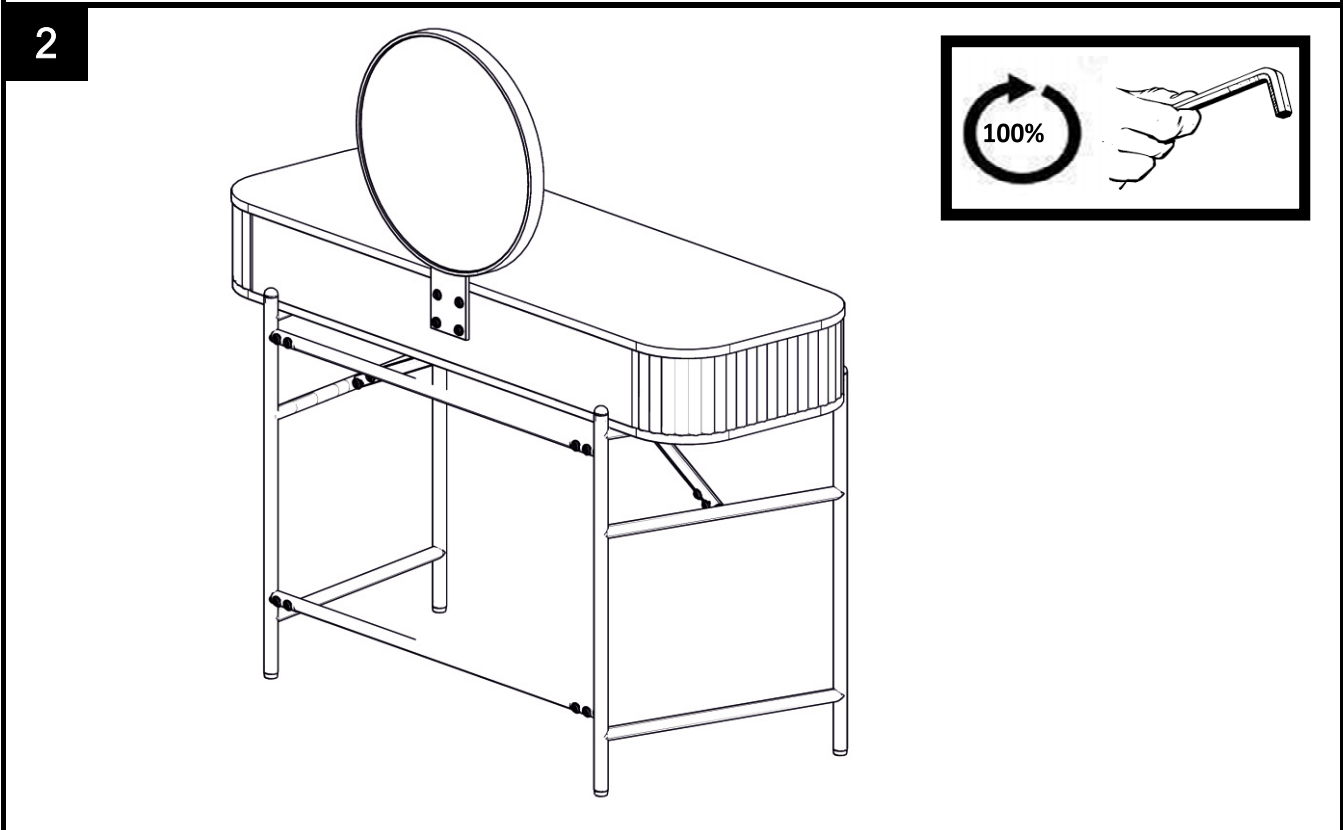
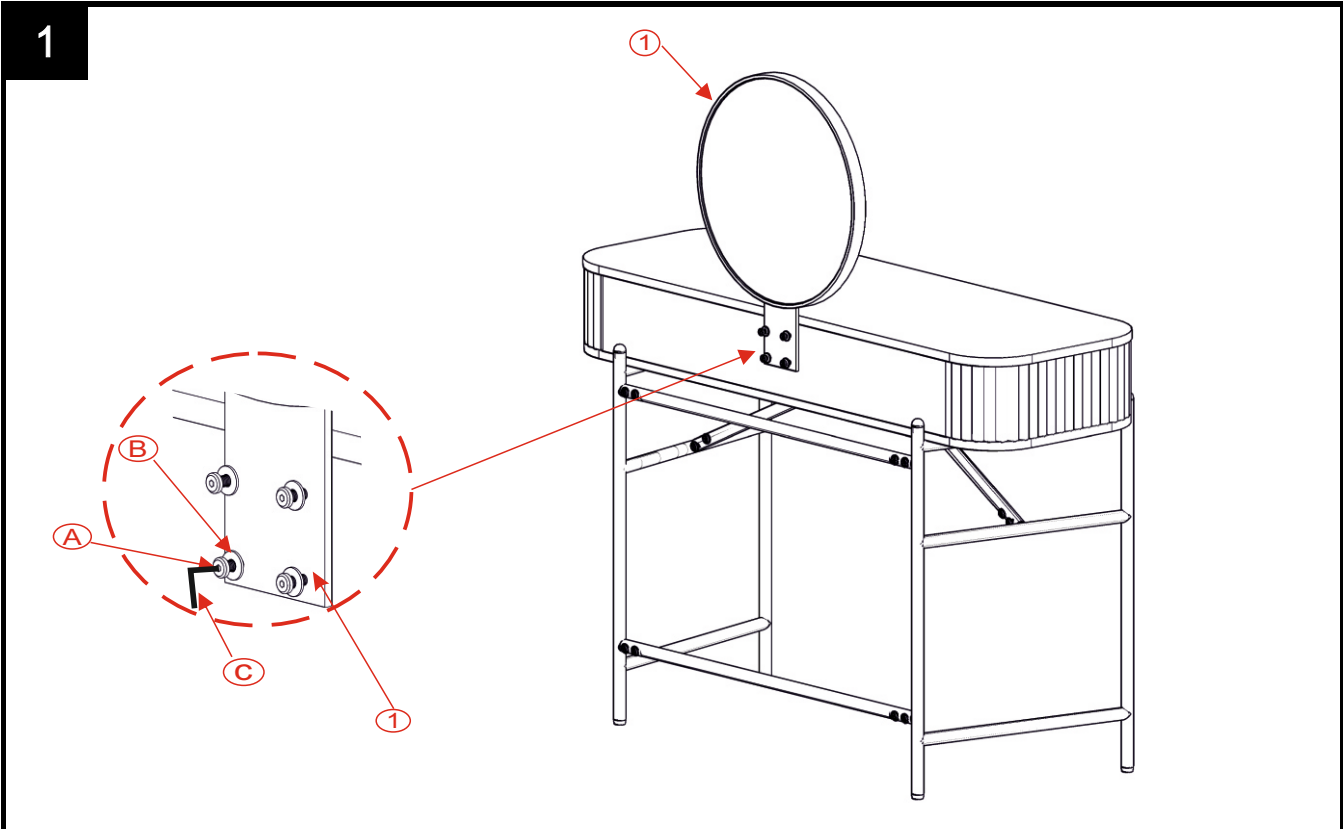
Ref	Dimensions	Qty
A	 M6x20	4
B	 M6x16	4

Other Fixtures and Fittings Supplied (Not To Scale)

Ref	Dimensions	Visual	Qty
C	4MM		1

# DRESSING TABLE MIRROR

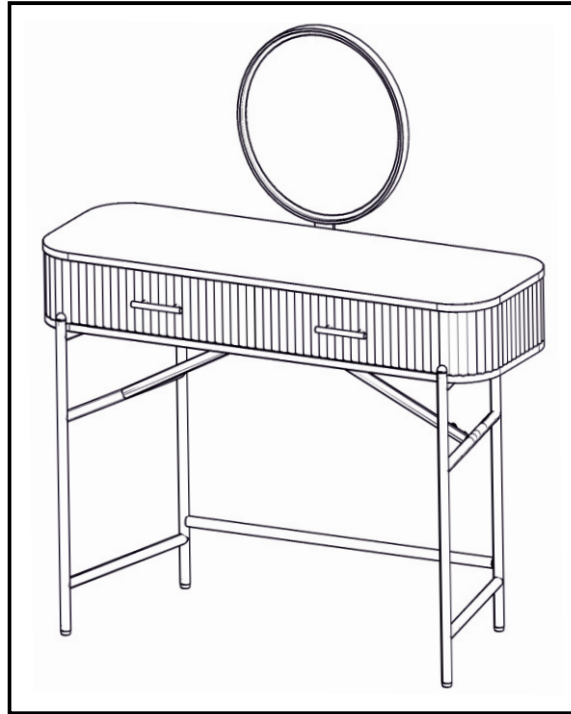
## Assembly Instructions



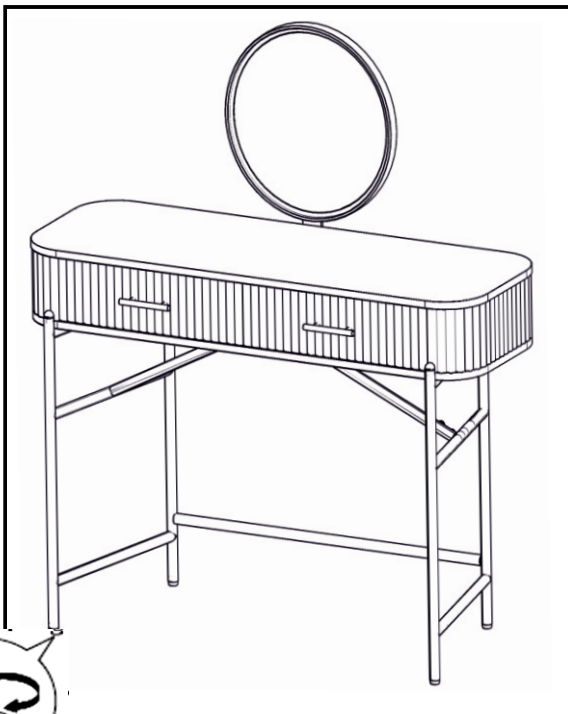
# DRESSING TABLE MIRROR

## Assembly Instructions

3



4



Your furniture is fitted with adjustable feet, if required these can be used to correct any wobbling. simply rotate the adjustable feet as required to ensure the furniture is stable.

---

# DRESSING TABLE MIRROR

## Care Guide

Made of Mirror, MDF and METAL

### Metal Care

**NOTE:** Dust regularly. Always clean with a soft dry cloth. Chemical Abrasives should be avoided to clean the metal parts as it may damage the finish.

### Mirror Care

**NOTE:** Your mirror will provide years of service and beauty by following these care and maintenance good practices.

**NOTE:** The safest cleaner for a mirror is clean, warm water applied with a soft cloth. Be careful not to allow the edges of the mirror to remain wet over a period of time.

**NOTE:** Do not use any acidic or alkali cleaners. They can attack the surface and edges as well as the backing of the mirror. Never use an abrasive cleaner on any mirror surface.

**NOTE:** Do not use cleaners with heavy ammonia bases. These, too, can damage the mirror edges and backing and will result in a ruined mirror.

**NOTE:** Never spray any cleaner directly on to a mirror. Instead, apply the cleaner to a soft cloth and then wipe the mirror edge where the cleaner could attack the backing

**NOTE:** Always use soft, grit-free cloths when cleaning a mirror to reduce chances of scratching the surface.

**NOTE:** Be sure to dry all joints and edges thoroughly to be certain no cleaner comes.

### General Care:

**NOTE:** Assemble the product in the room intended for use. Always lift your furniture to move it ,never drag or push it as this can cause damage.

Regularly check all fixings and tighten if necessary. Dust regularly with a clean, soft,lint free cloth.

If necessary lightly vacuum the jute rope to remove excess dust. Wipe up spills immediately, never leave liquids sitting on the surface as this can damage the

Finish. Always use mats and coasters to protect the surface when in use. Do not use silicon based furniture polish as the silicon can affect the finish.