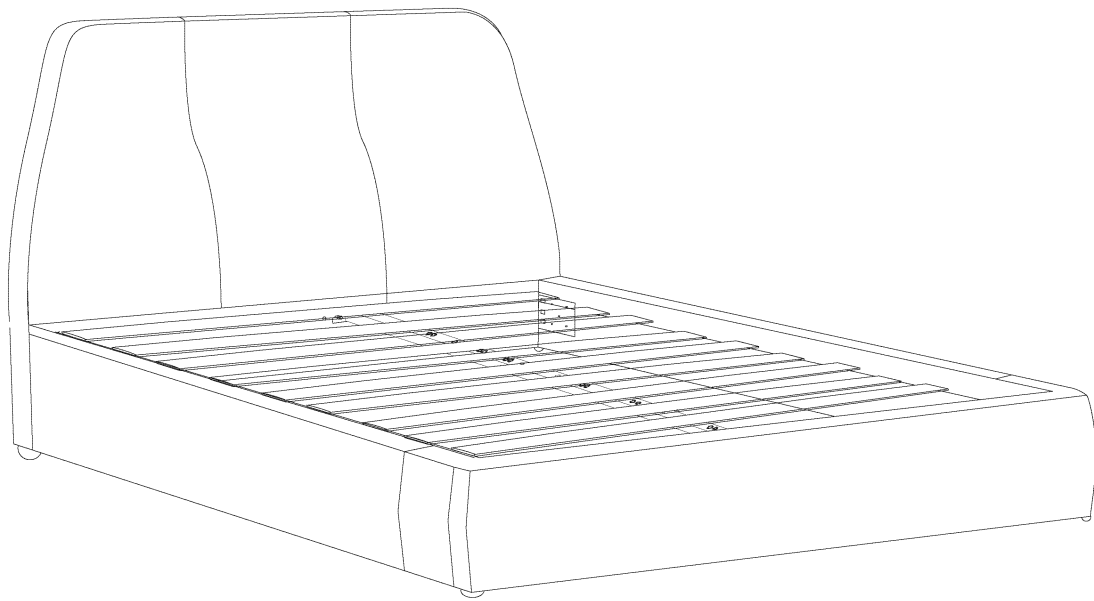


# Assembly Instructions



Please retain for future reference

# Assembly Instructions

## Before You Start

### Warnings

- › We suggest that you retain these instructions for future reference.
- › Keep fittings out of children's reach and keep children well away from the assembly area.
- › Please ensure that this product is only used on firm, level ground.
- › We advise that you periodically check all fittings and re-tighten as necessary.
- › Please do not (sit or) stand on your furniture.
- › Please avoid exposing the furniture to excessive heat or direct sunlight, as this can cause deterioration of the colour.
- › Wood will mellow and change colour over time, we recommend that ornaments and items placed on the surface are moved regularly for the first few months to prevent uneven mellowing.

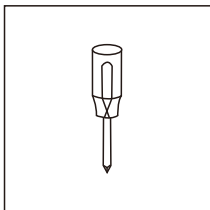
### Number of People Required to Assemble

(2) persons are required to assemble this item.

### Time to Assemble

Approximately 30 minutes required to assemble this item.

### Tools required



### Missing Parts or Issues

If you are missing any fixtures and fittings for your furniture, or if you are unhappy with the condition of your furniture, please contact the retailer who you purchased this furniture from.

### Do

- › We suggest you spend a short time reading through this leaflet before you start.
- › When you are ready to start, make sure that you have the right tools and plenty of space.
- › Unwrap all packaging materials and place components on a clean surface to protect them from damage.
- › We recommend that the packaging is used to protect the surfaces during assembly.
- › Carefully check that you have all parts before beginning assembly.
- › We recommend that the furniture is assembled in the room that it is intended to be used in
- › Ensure the product is fully assembled as shown, and that all fixings are fully tightened before use.
- › Wipe occasionally with a soft cloth slightly dampened with water, then buff with a dry clean soft cloth.

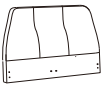
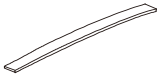

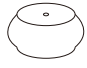

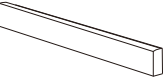




### Don't

- › Do not drag or pull your furniture.
- › Do not use silicone based furniture polish. Silicone in furniture polishes can break down the finish.
- › Never allow any kind of liquid to remain on your furniture.
- › Absorption can cause wood to warp or finishes to de-laminate.
- › Do not place hot items (e.g. hot drinks) directly on to the wood surface. Please make sure you use a placemat or coaster.

# Assembly Instructions

## Getting to Know your Product

## PARTS IDENTIFICATION



REF	DRAWING DESCRIPTION	QTY	REF	DRAWING DESCRIPTION	QTY
<b>A</b>	 Head board	1pc	<b>I</b>	 Bent Slats	26 pcs
<b>B</b>	 Foot Board	1pc	<b>J</b>	 Legs	4 pcs
<b>C</b>	 Side Rails	1pc	<b>K</b>		
<b>D</b>	 Side Rails	1pc	<b>L</b>		
<b>E</b>	 Center Rail	1pc	<b>M</b>		
<b>F</b>	 Support Leg	2pcs	<b>N</b>		
<b>G</b>	 End Plastic Cap	26pcs	<b>O</b>		
<b>H</b>	 Center Plastic Cap	13pcs	<b>P</b>		

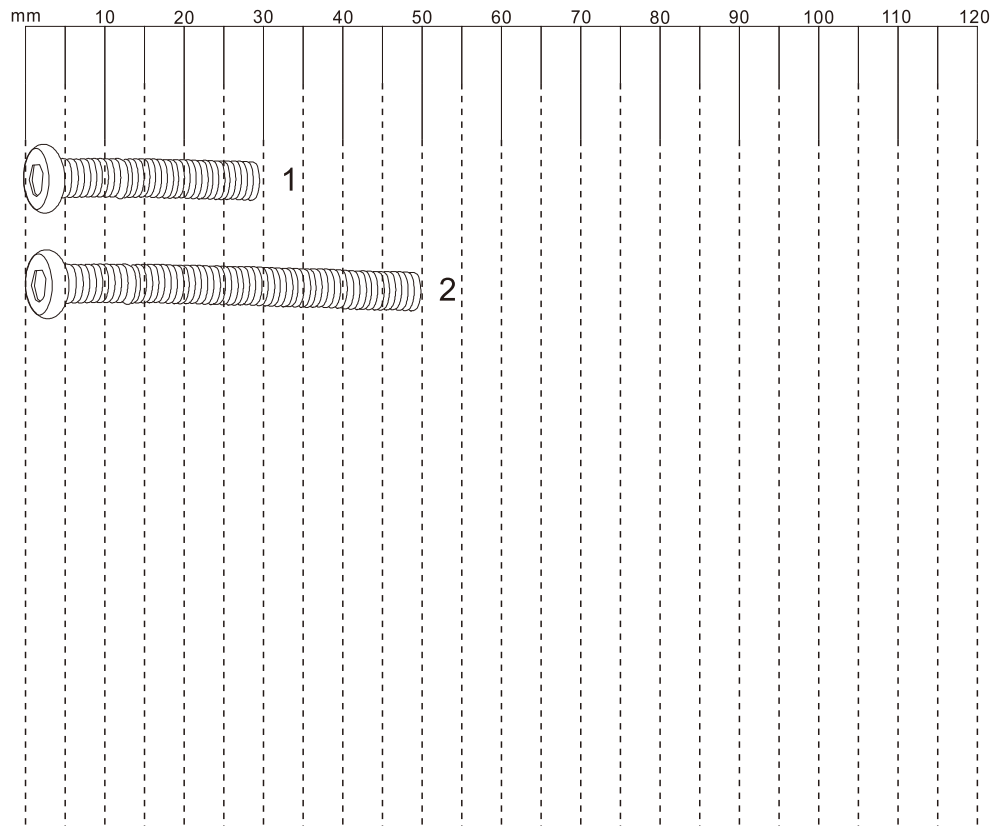
Components supplied. Please use this guide if you require replacement parts.

# Assembly Instructions

## Main Fixtures and Fittings Supplied (To Scale)

## Fixtures and Fittings

REF	Dimensions	QTY
1	 5/16X35MM (bolt)	16pcs
2	 5/16X50MM (bolt)	8pcs
3		
4		
5		



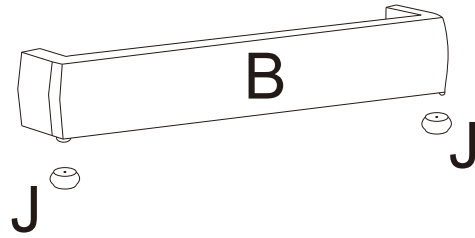
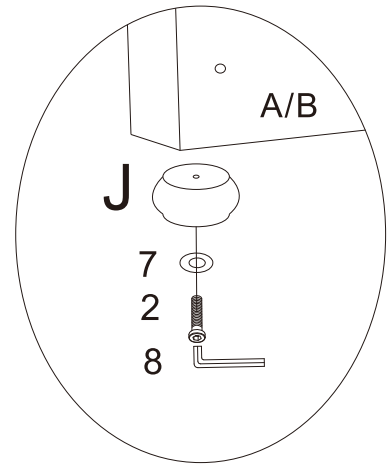
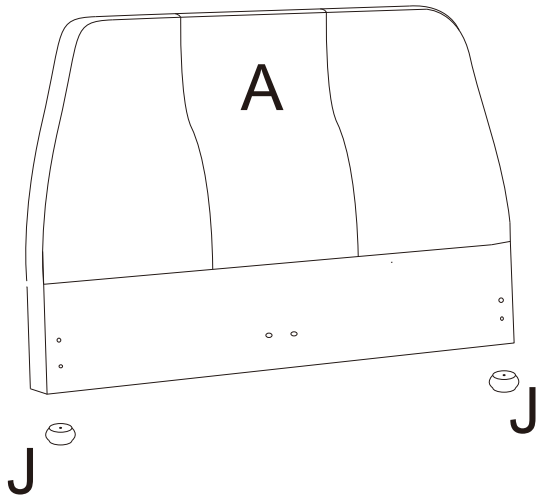
## Other Fixtures and Fittings Supplied (Not To Scale)

REF	Dimensions	QTY	REF	Dimensions	QTY
6	 Hex Nut	4pcs	11		
7	 Flat Washer	24pcs	12		
8	 Allen Wrench	1pc	13		
9	 $\phi$ 5mm Wrench	1pc	14		
10			15		

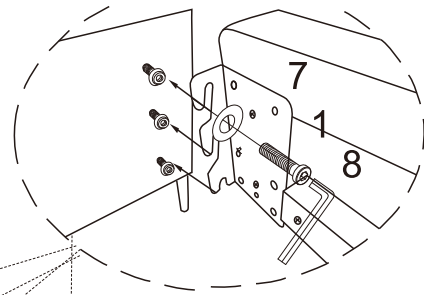
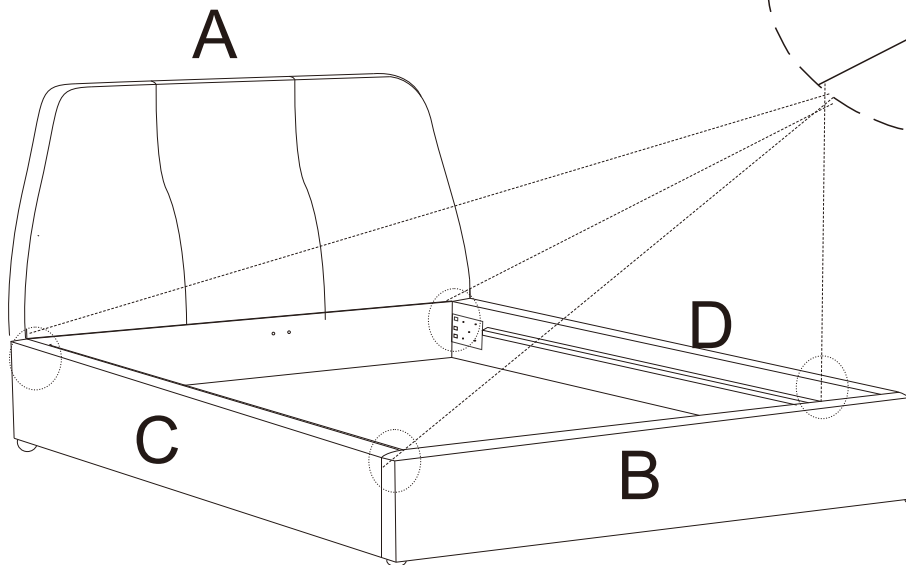
Components supplied. Please use this guide if you require replacement parts.

# Assembly Instructions

## STEP 1

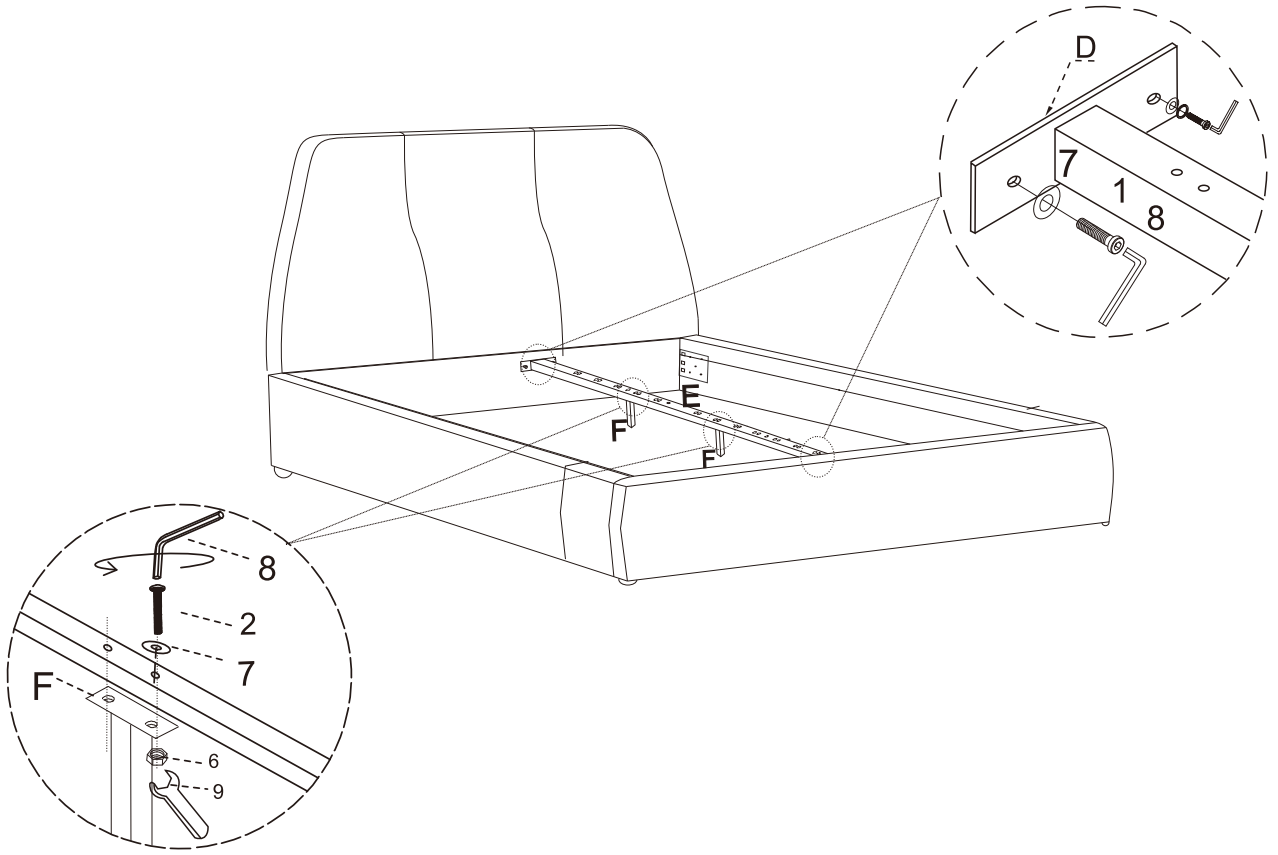


## STEP 2

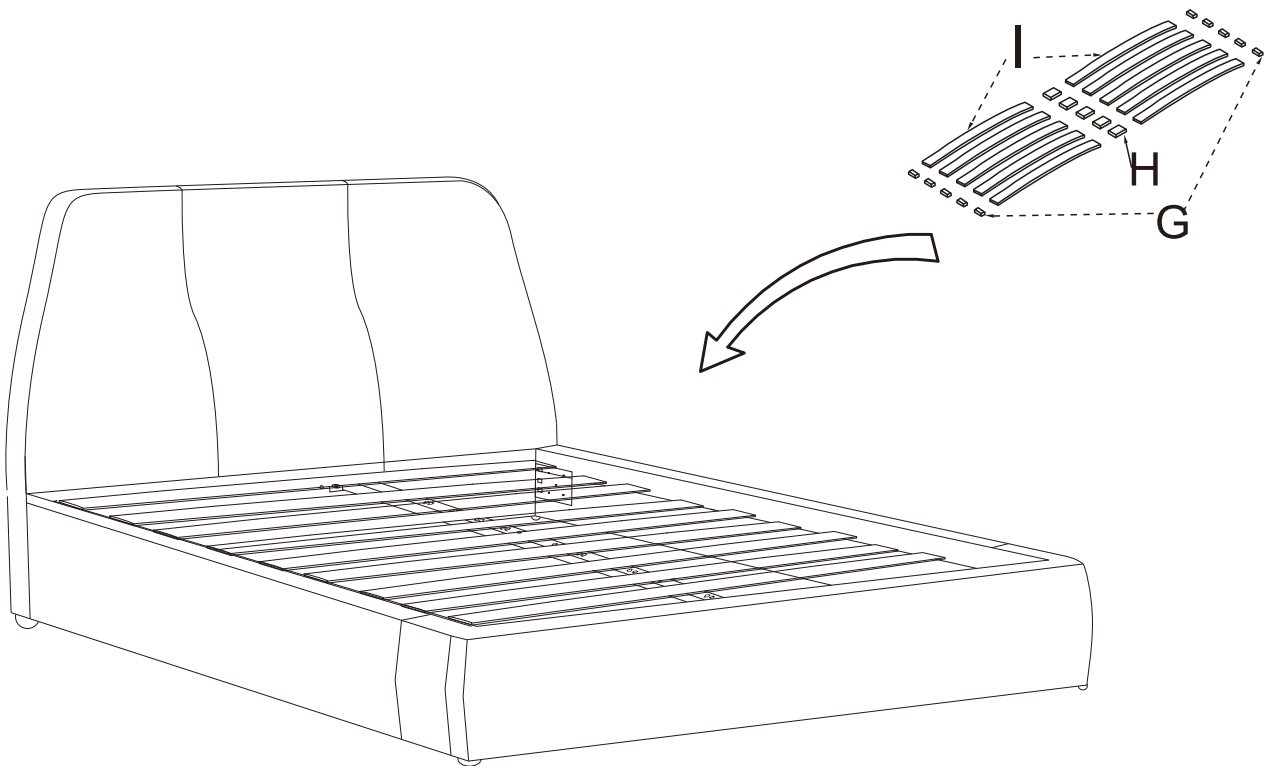


# Assembly Instructions

## STEP 3



## STEP 4



# Assembly Instructions

## CARE GUIDE

1. Always lift the bed when moving it, never push or drag the bed as this can cause damage to it.

Always remove the mattress before lifting and moving your bed.

2. Regularly check that the fixings are secure and tighten as necessary.

3. Due to the nap of the fabric, it can mark or rub in the wrong direction.

This can be easily resolved by using a clean fabric brush to slowly brush marks out.

4. You may see some small pressure marks from the packaging, these should come out naturally once the bed is assembled and in use

They can also be lightly steamed out, please ensure you do not over steam the fabric as moisture can affect the nap.

5. To clean your furniture, lightly brush or Vacuum the fabric surface in direction of the nap.

6. Avoid spilling any liquids on the fabric.

Gently blot any spills immediately with a clean, lint free cloth.

Do not rub or scrub the area as this can damage the fabric.

7. For any stubborn stains, we recommend you contact a professional cleaning company.