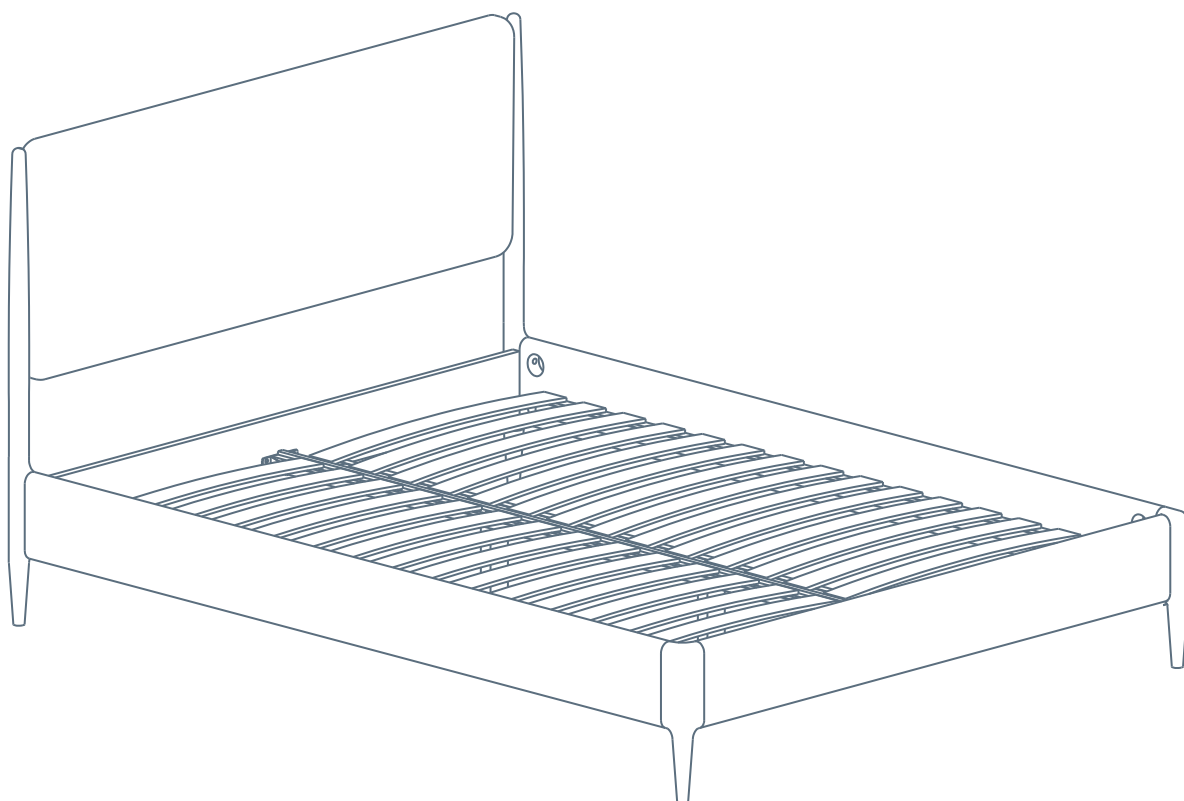




# WB01-150CM UPHOLSTERED BEDSTEAD

## Assembly Instructions

Product Size: H110CM X W212.5CM X D161.2CM



Please retain for future reference

Made in Vietnam

WB01-25-04

Page 1 of 7

If you have any problems, please don't hesitate to get in touch with your retailer directly



# WB01-150CM UPHOLSTERED BEDSTEAD

## Assembly Instructions

### Before you start

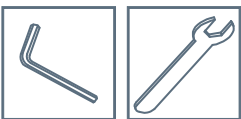
#### Warnings

- > Please retain these instructions for future reference.
- > Keep fittings out of children's reach and keep children well away from the assembly area.
- > Ensure that this product is only used on firm, level ground.
- > Periodically check all fittings and re-tighten as necessary.
- > Do not sit or stand on your furniture.
- > Avoid exposing the furniture to excessive heat or direct sunlight, as this can cause deterioration of the colour.
- > Wood will mellow and change colour over time, ornaments and items placed on the surface should be moved regularly for the first few months to prevent uneven mellowing.

**Number of people required to assemble**  
2 persons are required to assemble this item.

**Time to assemble**  
Approximately 15 minutes required to assemble this item.

#### Tools required



#### Do

- > Spend a short time reading through this leaflet before you start.
- > Make sure that you have the right tools and plenty of space.
- > Unwrap all parts and place components on a clean surface to protect them from damage.
- > The packaging should be used to protect the product during assembly.
- > Carefully check that you have all parts before beginning assembly.
- > The furniture should be assembled in the room that it is intended to be used in.
- > Ensure the product is fully assembled as shown, and that all fixings are fully tightened before use.
- > Wipe occasionally with a soft cloth slightly dampened with water, then buff with a dry clean soft cloth.

#### Don't

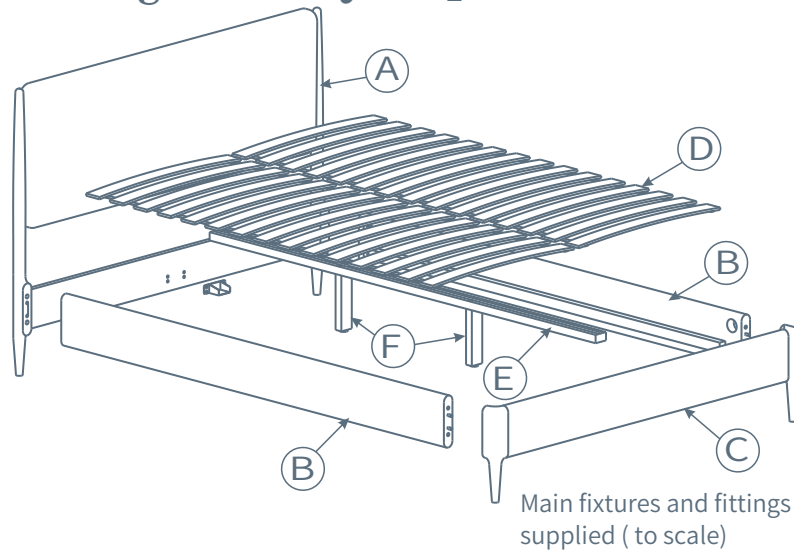
- > Do not drag or pull your furniture.
- > Do not use silicone based furniture polish. Silicone in furniture polishes can break down the finish.
- > Never allow any kind of liquid to remain on your furniture.
- > Absorption can cause wood to warp or finishes to de-laminate.
- > Do not place hot items (e.g. hot drinks) directly on to the wood surface. Please make sure you use a placemat or coaster.



# WB01-150CM UPHOLSTERED BEDSTEAD

## Assembly Instructions

### Getting to know your product



Other fixtures and fittings supplied (not to scale)

#	Dimensions	Qty
1	4mm	1
2	2mm	1

Main fixtures and fittings supplied (to scale)

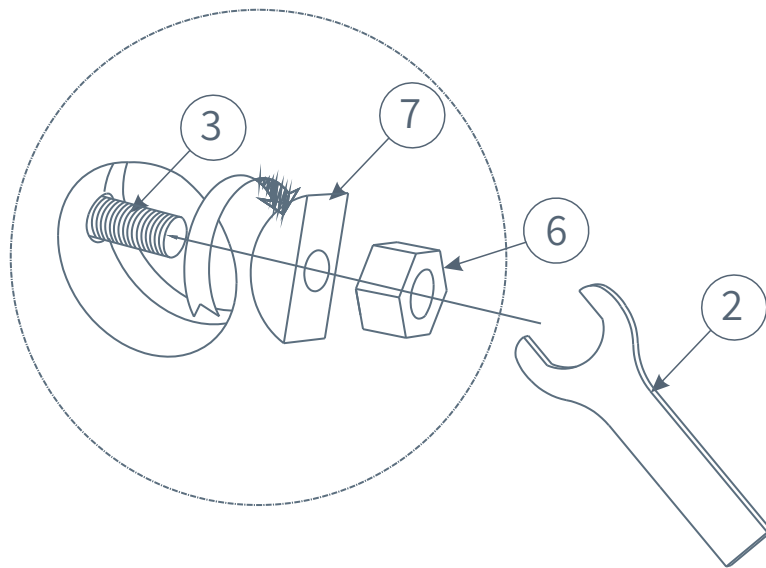
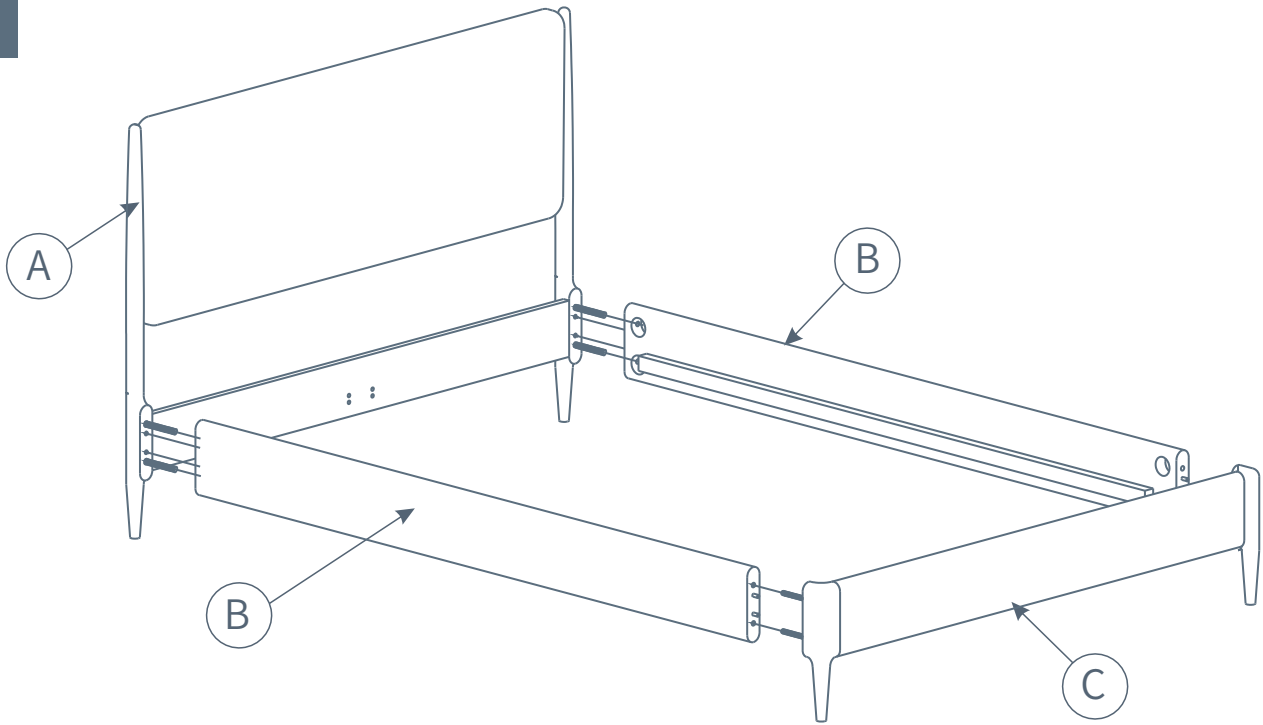
#	Dimensions	Visual	Qty	Ctn	#	Dimensions	Qty	#	Dimensions	Qty
<b>A</b>	H110CM X W161.2CM X D6.3CM		1	1	<b>3</b>	M8 X 80	8	<b>8</b>		2
<b>B</b>	H20CM X W199.4CM X D7.5 CM		2	1						
<b>C</b>	H36CM X W161.2CM X D6.8CM		1	1	<b>4</b>	M6 X 15	8			
<b>D</b>	H0.9CM X W180.6CM X D74.5CM		2	1						
<b>E</b>	H4CM X W202CM X D5.5CM		1	1	<b>5</b>	M6 X 40	2			
<b>F</b>	H21.5CM X W3CM X D5.5CM		2	1						
					<b>6</b>	M8	8			
					<b>7</b>		8			



# WB01-150CM UPHOLSTERED BEDSTEAD

## Assembly Instructions

1

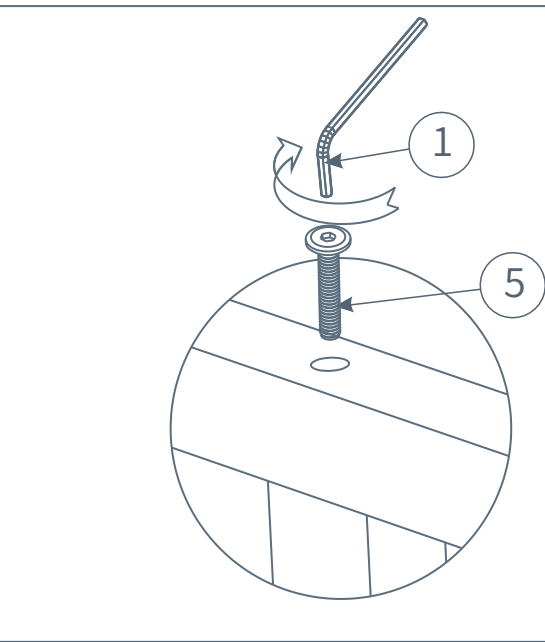
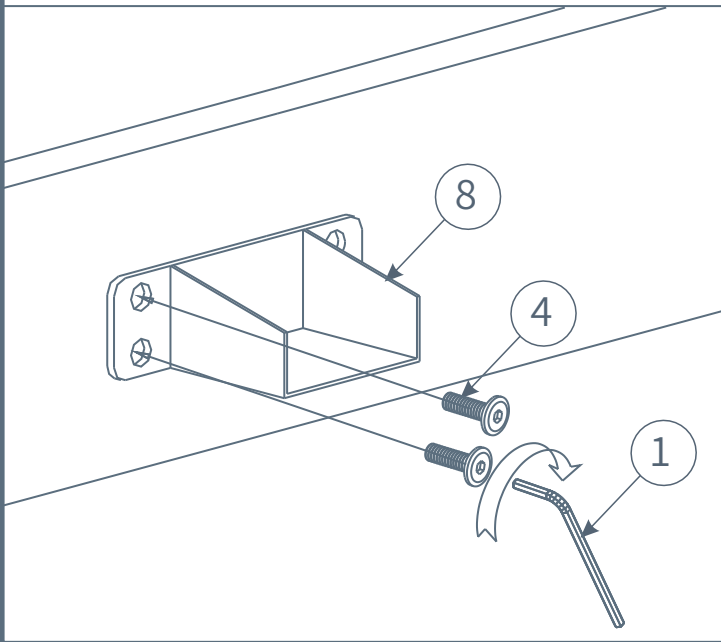
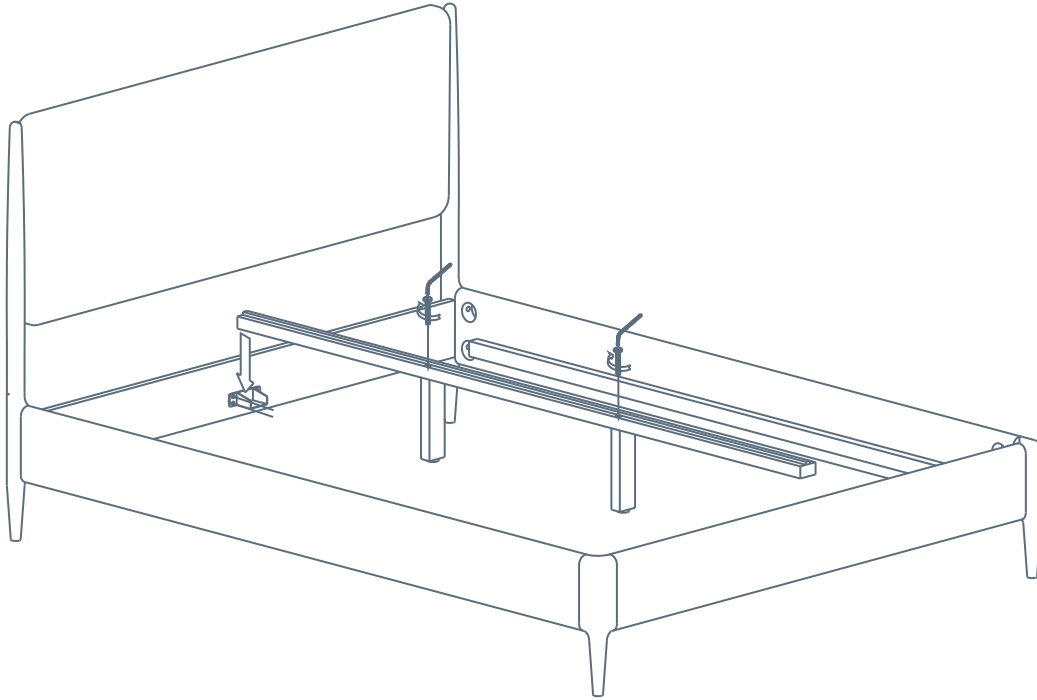




# WB01-150CM UPHOLSTERED BEDSTEAD

## Assembly Instructions

2

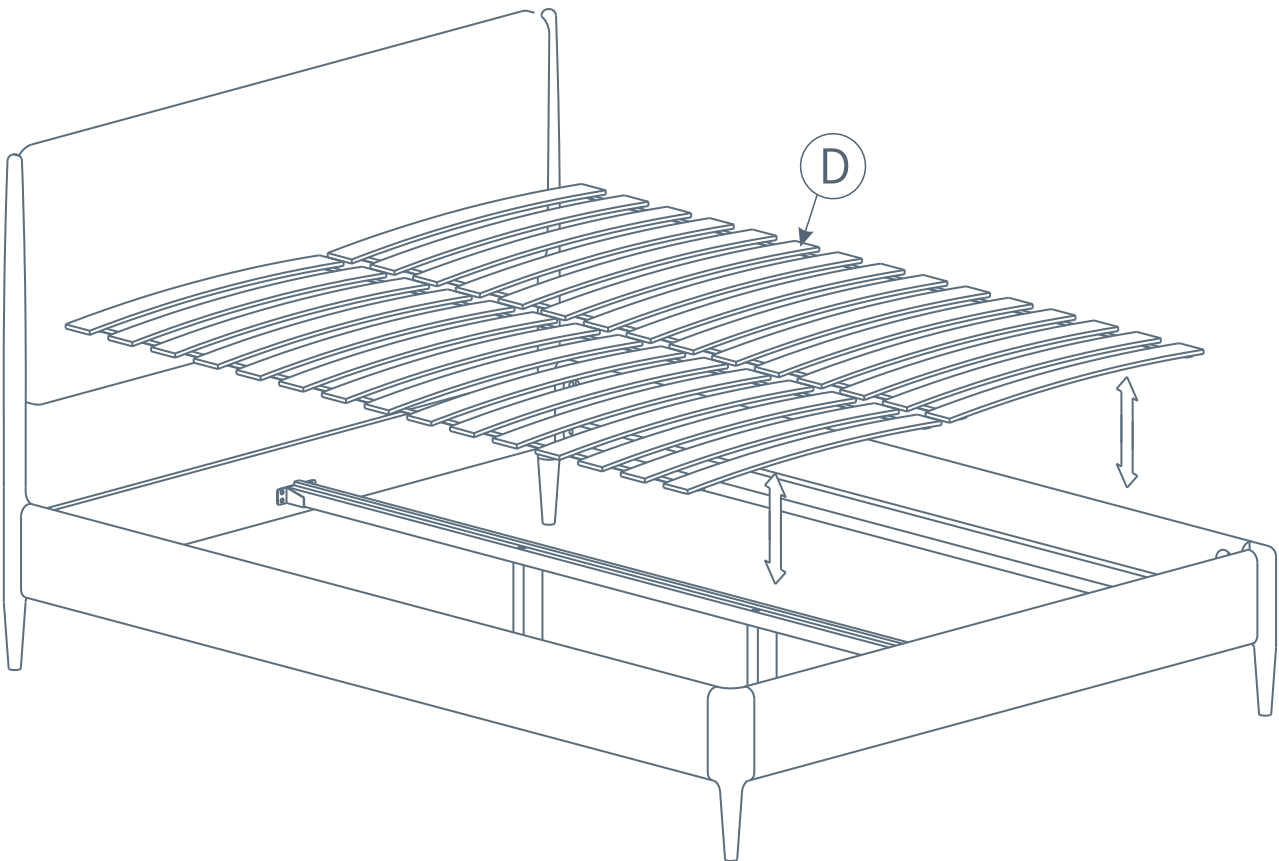




# WB01-150CM UPHOLSTERED BEDSTEAD

## Assembly Instructions

3





## WB01-150CM UPHOLSTERED BEDSTEAD Care Guide

- As a natural material, wood will continue to move and be affected by its surroundings.
- Changes in humidity and temperature can lead to warping and /or cracks in the wood. Therefore, it is advisable not to place your furniture against a direct heat source or air conditioning unit.
- Over time, with changes in the atmosphere and light, the wood will mellow.
- To ensure an even tone we recommend that it is not left in direct sunlight and any objects placed on the furniture should be regularly moved around to help avoid colour differences.
- If you have chosen an extending dining table, it may be beneficial to leave your table extended for a period to allow the extension leaf to mellow with the rest of the tabletop.
- Your furniture has been finished with an NC Lacquer.

### General care

- Always lift your furniture to move it, never drag or push it as this can cause damage.
- Regularly check all fixings and tighten if necessary. Wipe with a soft, slightly damp, lint free cloth.
- Buff timber surfaces with a dry, clean cloth. Wipe up spills immediately, never leave liquids sitting on the surface as this can damage the finish.
- Keep upholstered furniture out of direct sunlight to avoid fading.
- Do not place items directly against radiators or a heat source.
- Vacuum regularly to remove dust and dirt.
- Take care when sitting on light coloured fabrics when wearing items with transferable dyes such as Denim Jeans.
- Blot any spills immediately with a clean lint free cloth or paper towel.
- Never rub or scrub the spill as this may cause it to spread and stain.
- We would recommend calling a professional upholstery cleaner to clean any stubborn marks or stains.