

ASSEMBLY INSTRUCTION
DOUBLE DOOR WARDROBE
ATB005/KD



CONTAIN 8 PARTS & A HARDWARE SET

- **Part 1:** One double door panel
- **Part 2, 3:** Left & right side panels
- **Part 4:** One top panel
- **Part 5:** One back panel
- **Part 6, 7:** Two shelves
- **Part 8:** One hanging rod

HARDWARE SET: Contain 2 bags

BAG 1: Hardware



Screw (30pcs)
Φ 5 x 50



Washer (30pcs)
Φ 5 x 9

BAG 2: Anti-Tip Kit



Screw (2pcs)
Φ 4 x 20



Screw (2pcs)
Φ 4 x 25



Plastic Rawl Plug (2pcs)



Support Bracket (2pcs)

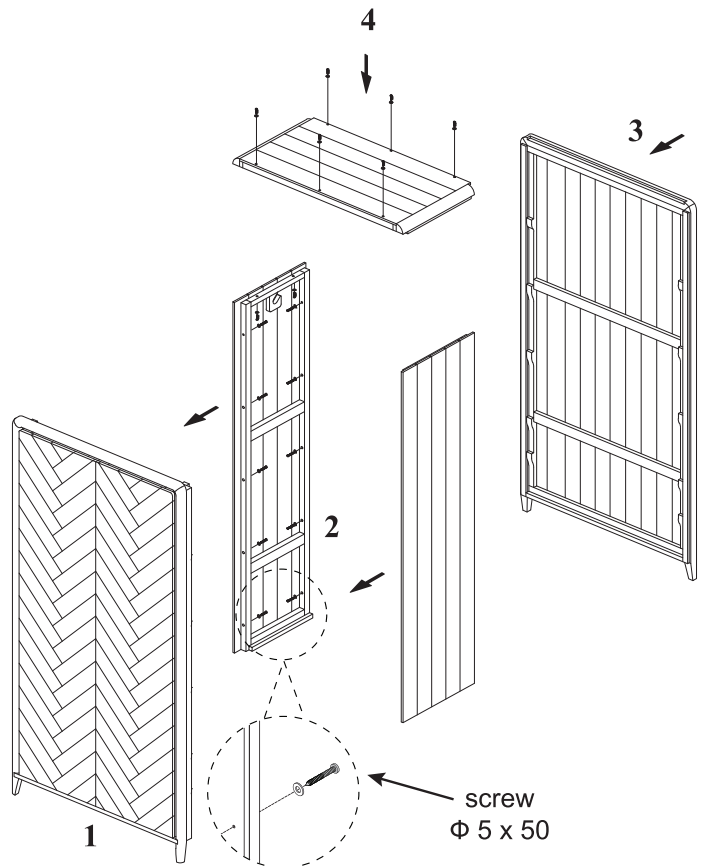


Plastic Security Seal (1pc)

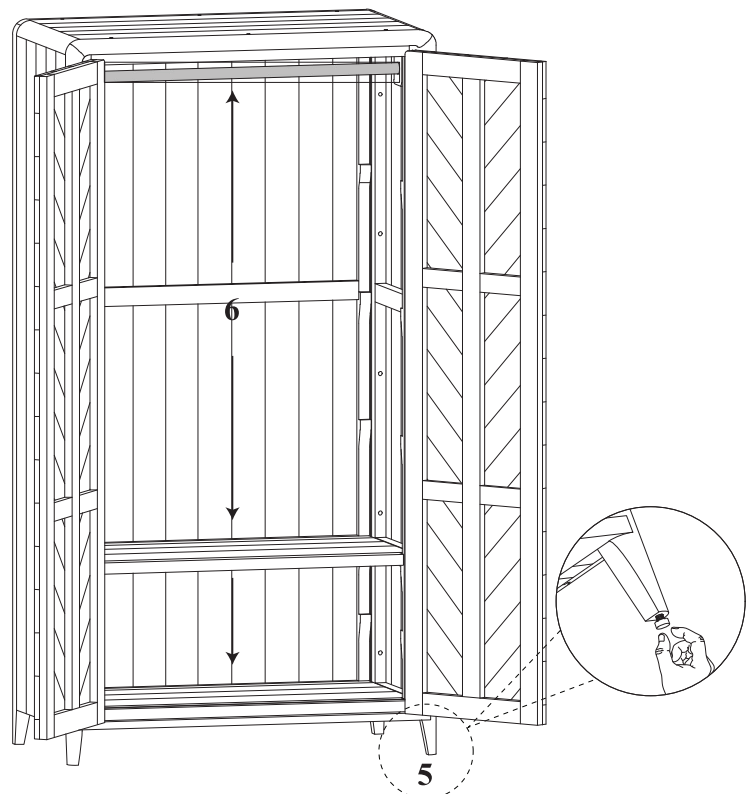
This assembly requires 2 adults!

*Lay all parts on a blanket to prevent scratching.
Carefully lift each part*

- **Step 1:** Position the **double door panels** upright.
- **Step 2:** Join the **left & right panels** to the double door panel.
- **Step 3:** Join the back panel to the left and right panels.
- **Step 4:** Join the top panel.



- **Step 5:** Adjust the rubber pin under each leg until each rubber pin touches the ground, to ensure your wardrobe is in balance.
- **Step 6:** Slot the **shelves** and the **hanging rod** into place within the wardrobe.

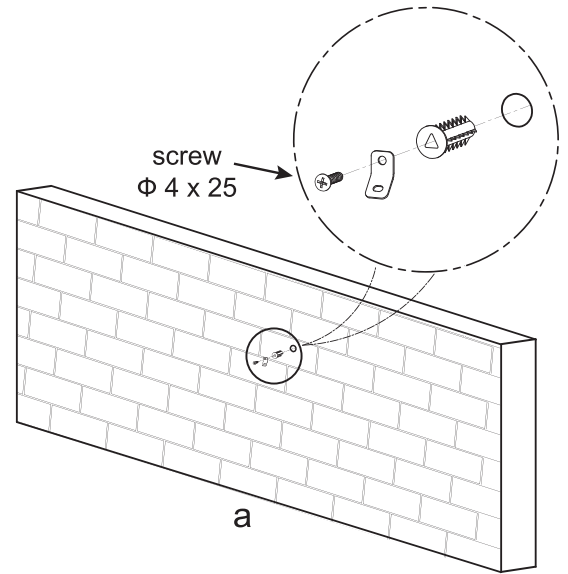


- **Step 9:** Secure wardrobe to wall using the provided anti-tip kit

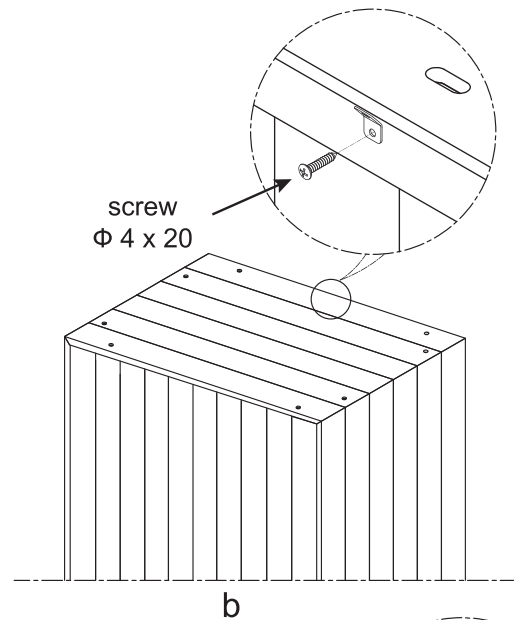
- a. Drill a hole in the wall equivalent to the height of the wardrobe.

Fit a plastic rawl plug to wall using a hammer.

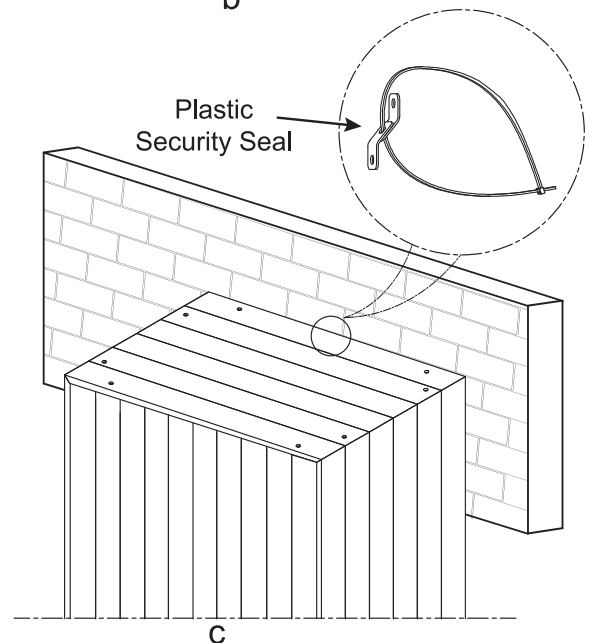
Fit the Support Bracket to the wall using a screw provided.



- b. Fit the Support Bracket to the top of the wardrobe using a screw provided, then move the wardrobe to the wall.



- c. Fit the Support Brackets to the wardrobe and wall using a Plastic Security Seal.



The assembly is now completed!

ENJOY YOUR NEW RECLAIMED[®] PRODUCT

For further information, please visit our website www.pgt-reclaimed.com