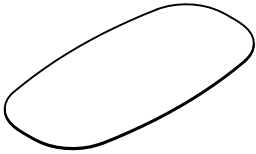
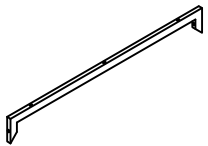




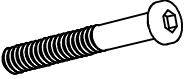


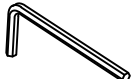



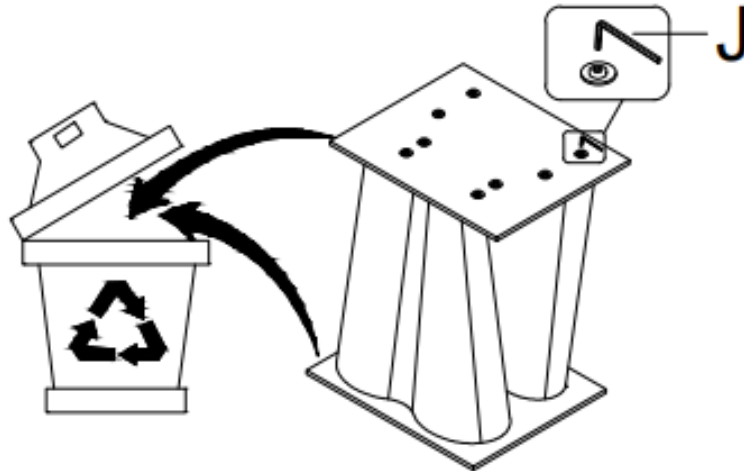
# Hadley Rectangle Dining Table

CF\_F-1899-4

## PRODUCT PARTS INCLUDED

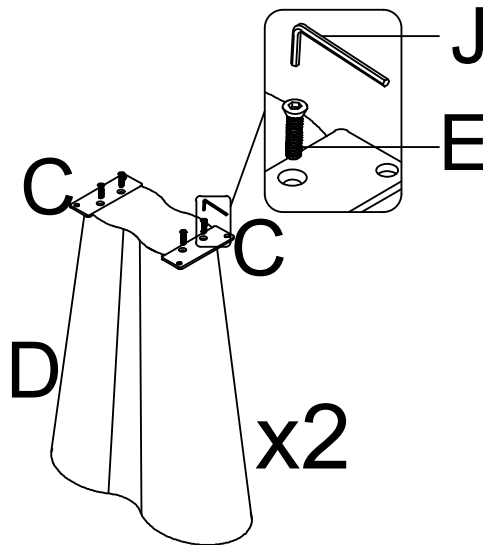
A		glass top	x1
B			x1
C			x4
D		legs	x2
E		M8*25mm	x8
F		M8*25mm	x8
G		M8*60mm	x5
H		Washer Ø16*1.5mm	x5
I		Washer Ø22*1.5mm	x8
J		Allen Key 5mm	x1
K		Ø50*3mm	x12

### STEP1

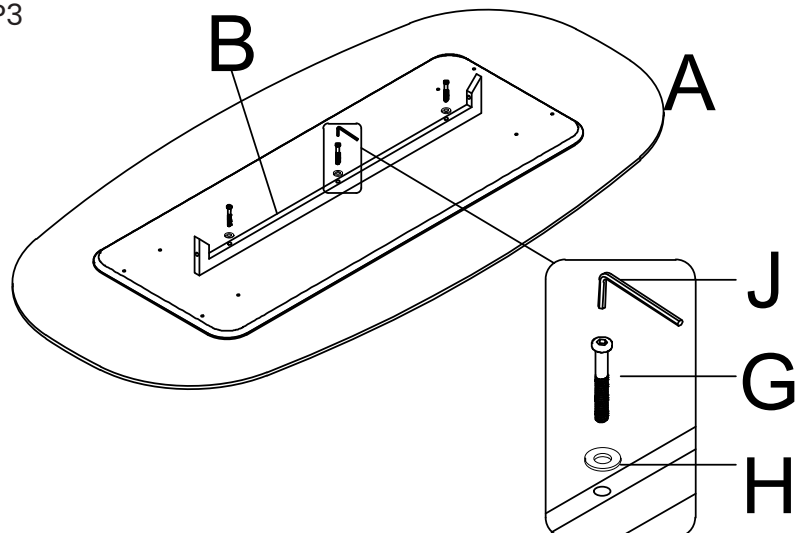


Minimum Two Persons Assembly

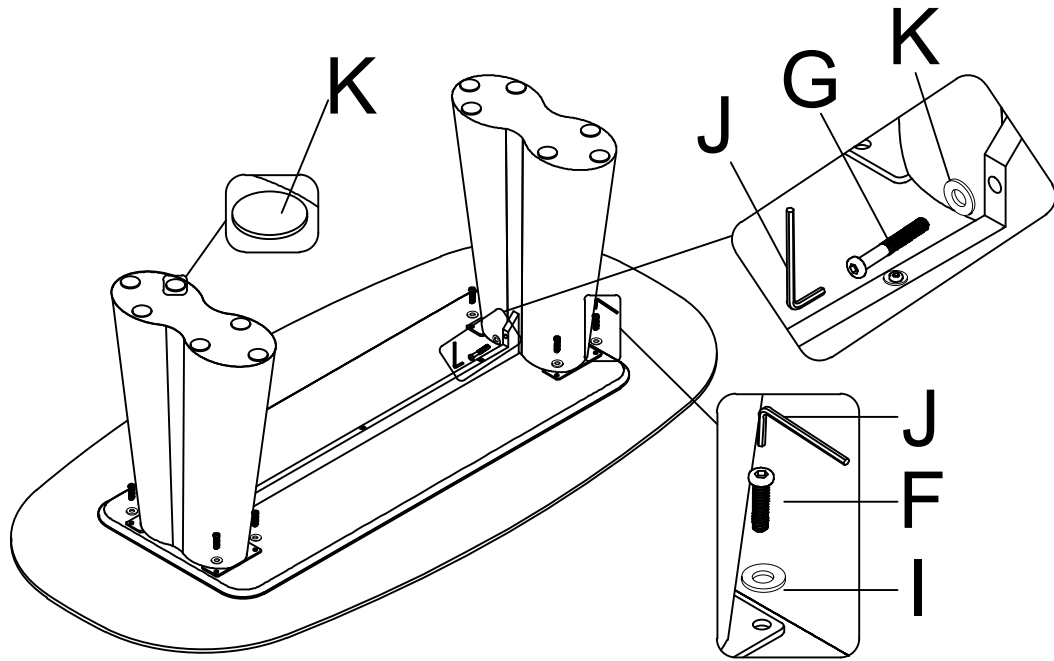
### STEP2



### STEP3



STEP4



STEP5

