







Heather Kitchen stool and bar stool



CF_HQ / ST65, CF_HQ / ST75

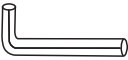
PRODUCT PARTS INCLUDED

<p>A</p>  <p>SEAT x1</p>	<p>B</p>  <p>RIGHT LEG x1</p>
--	---

<p>C</p>  <p>LEFT LEG x1</p>	<p>D</p>  <p>LEG BAR x1</p>
--	---

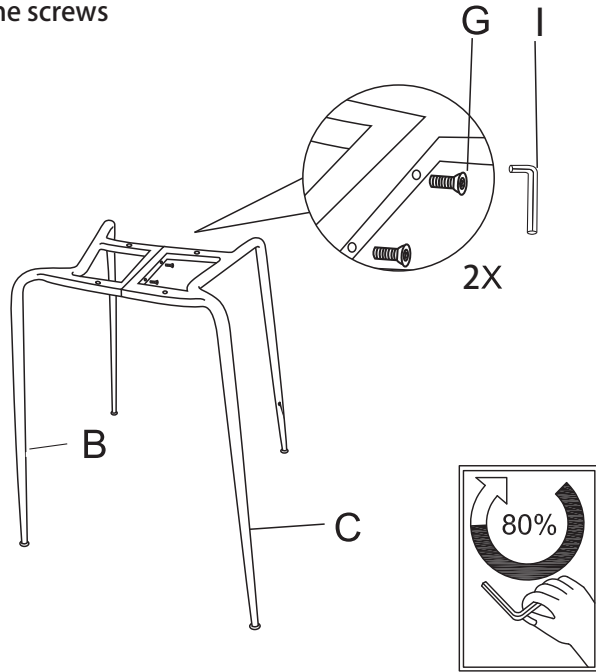
<p>E</p>  <p>SCREW x4 M6X35</p>	<p>F</p>  <p>WASHER x4</p>
--	---

<p>G</p>  <p>SCREW x2 M6X12</p>	<p>H</p>  <p>SCREW x4 M6X20</p>
---	---

<p>I</p>  <p>ALLEN KEY x1</p>	
---	--

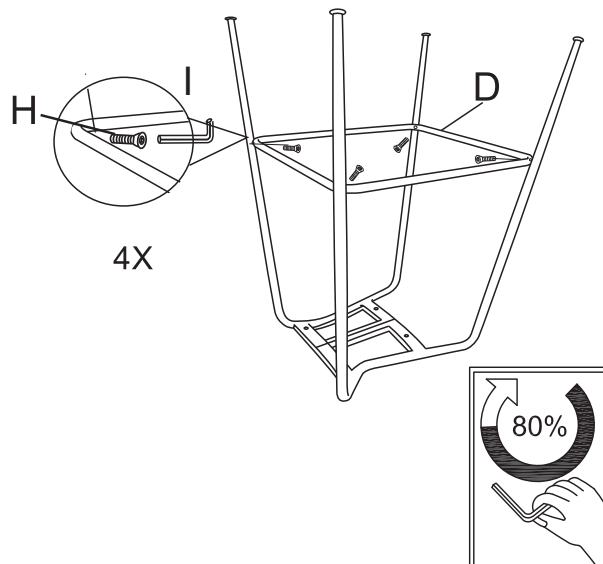
STEP 1

Assemble the leg frame, bringing the two leg parts together. Do not fully tighten the screws



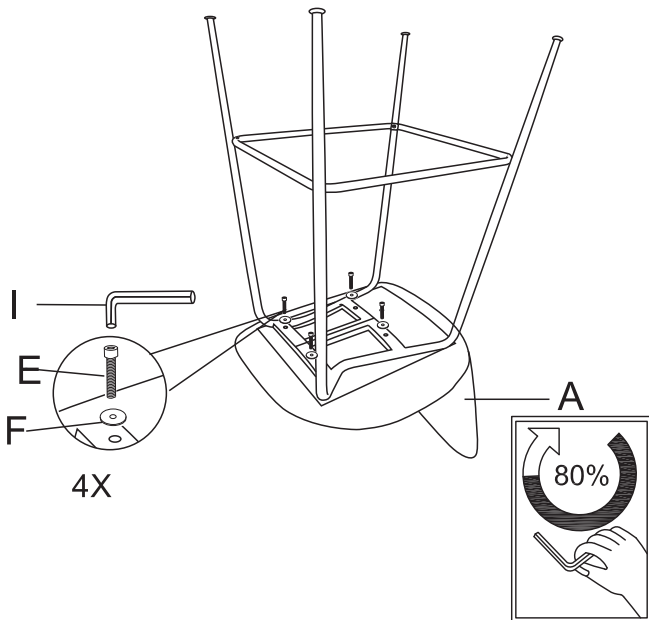
STEP 2

Attach the leg bar to the leg frame. Do not fully tighten the screws



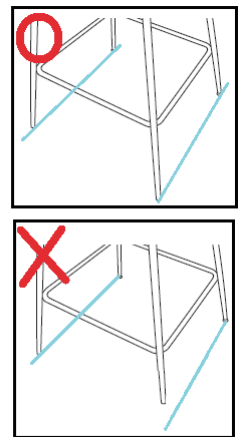
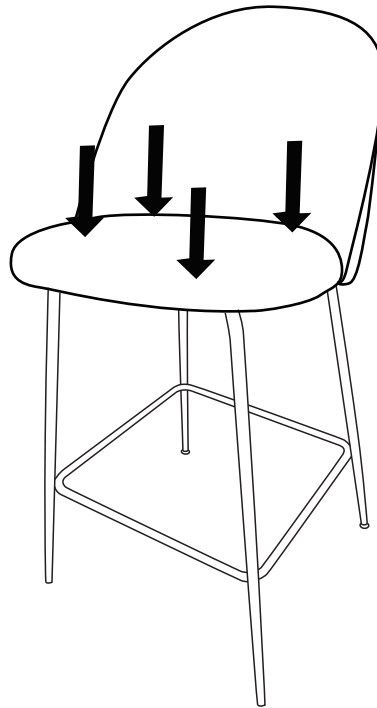
STEP 3

Attach the leg and bar frame to the base of the seat. Do not fully tighten the screws



STEP 4

Press the seat down, making the two leg parts level. Tighten screws as needed to adjust level



STEP 5

