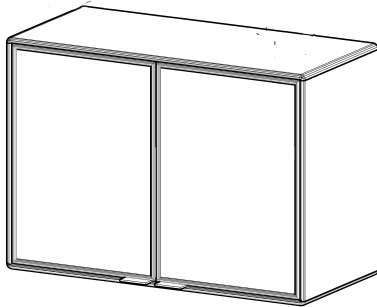


C

Arden 2 Door Sideboard

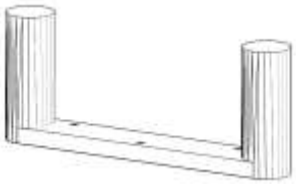
PRODUCT PARTS INCLUDED

A



Wooden Structure x 1pc

B



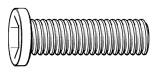
Wooden legs x 2pcs

C



Allen key x 1 pc

D



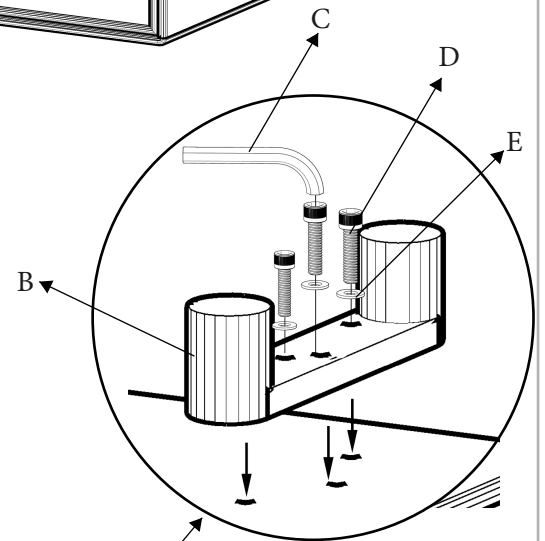
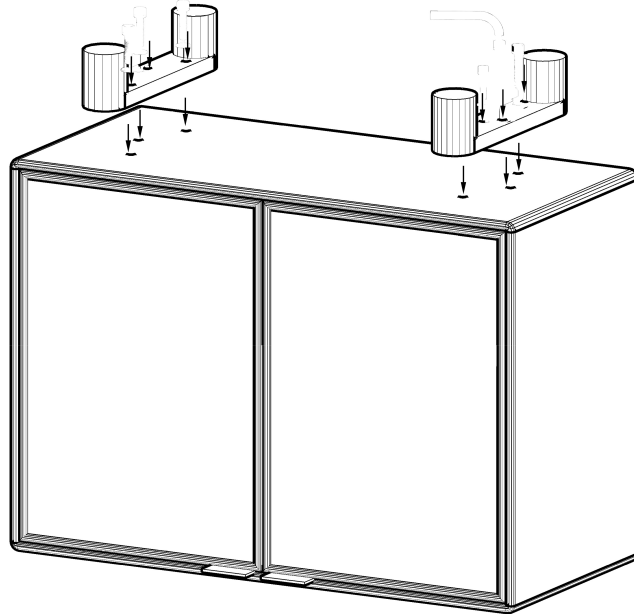
Bolt x 6pcs

E

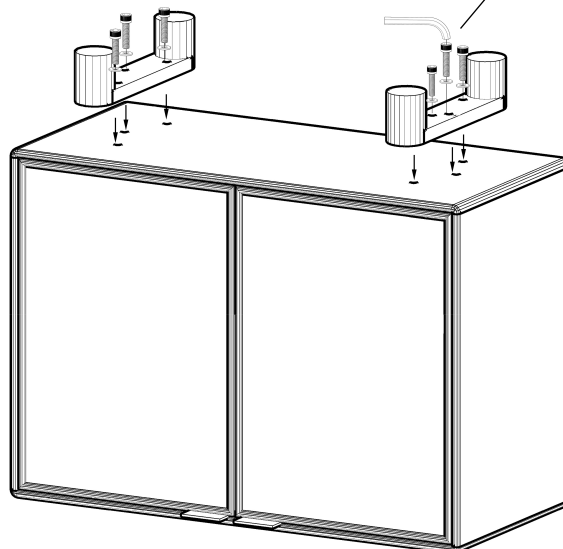


Washer x 6 pcs

STEP 1



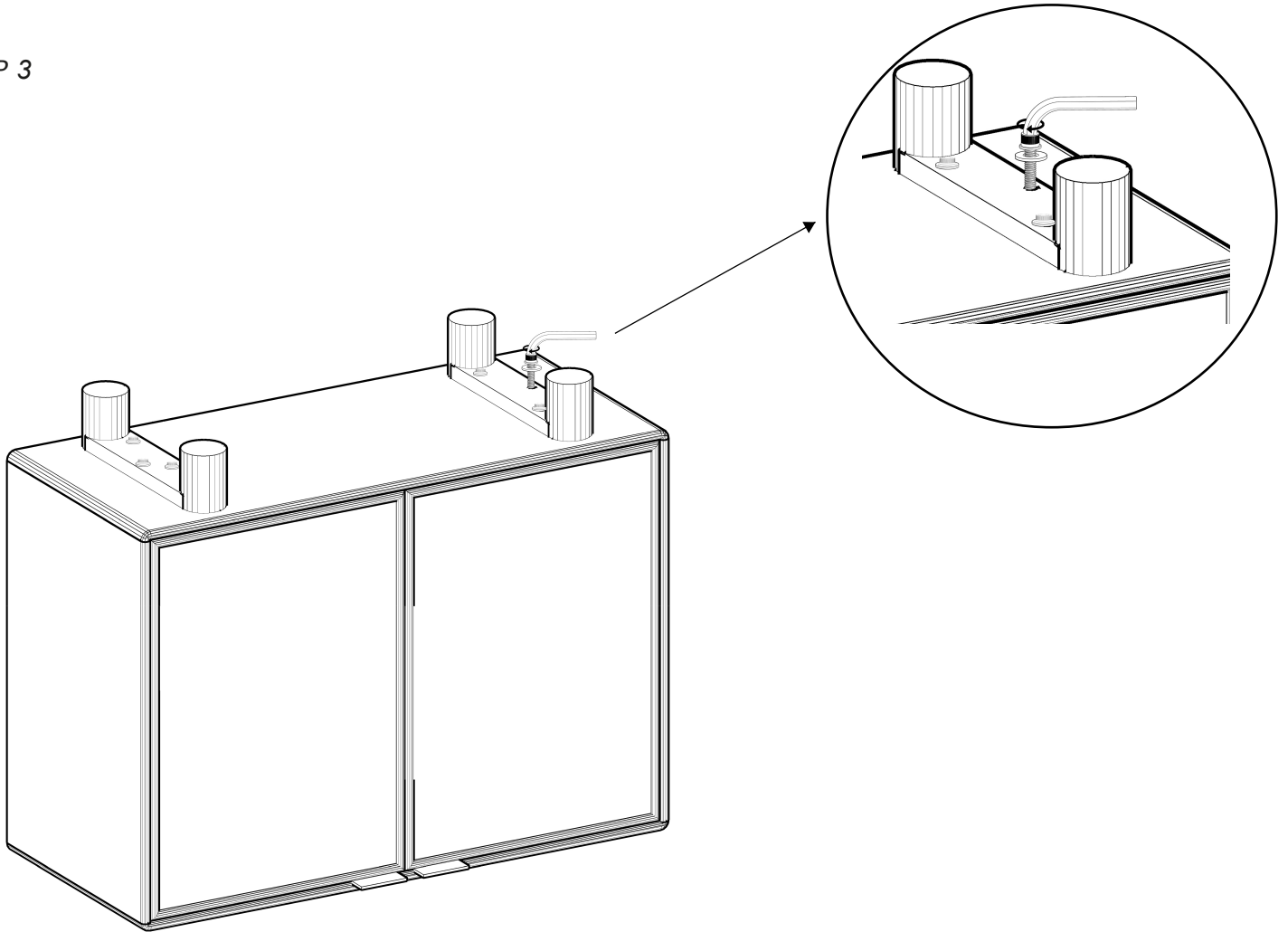
STEP 2



C

Arden 2 Door Sideboard

STEP 3



STEP 4

