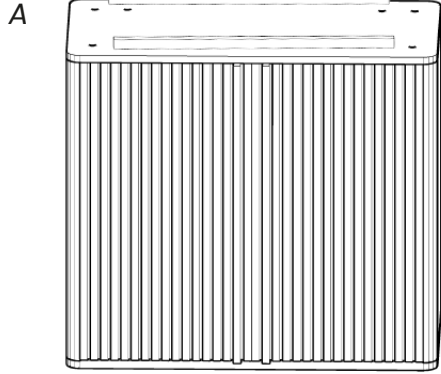


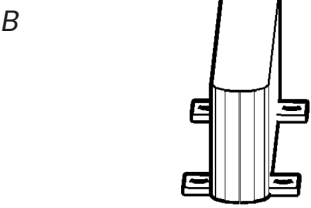


# Janis 2 Door Sideboard

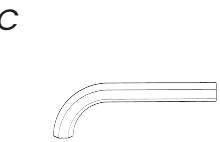
## PRODUCT PARTS INCLUDED



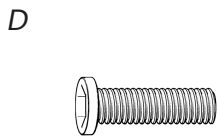
Wooden Structure x 1pc



Wooden legs x 2pcs



Allen key x 1 pc

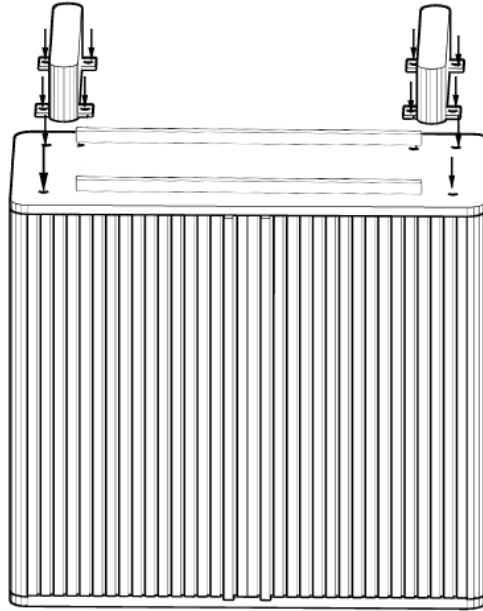


Bolt x 8pcs

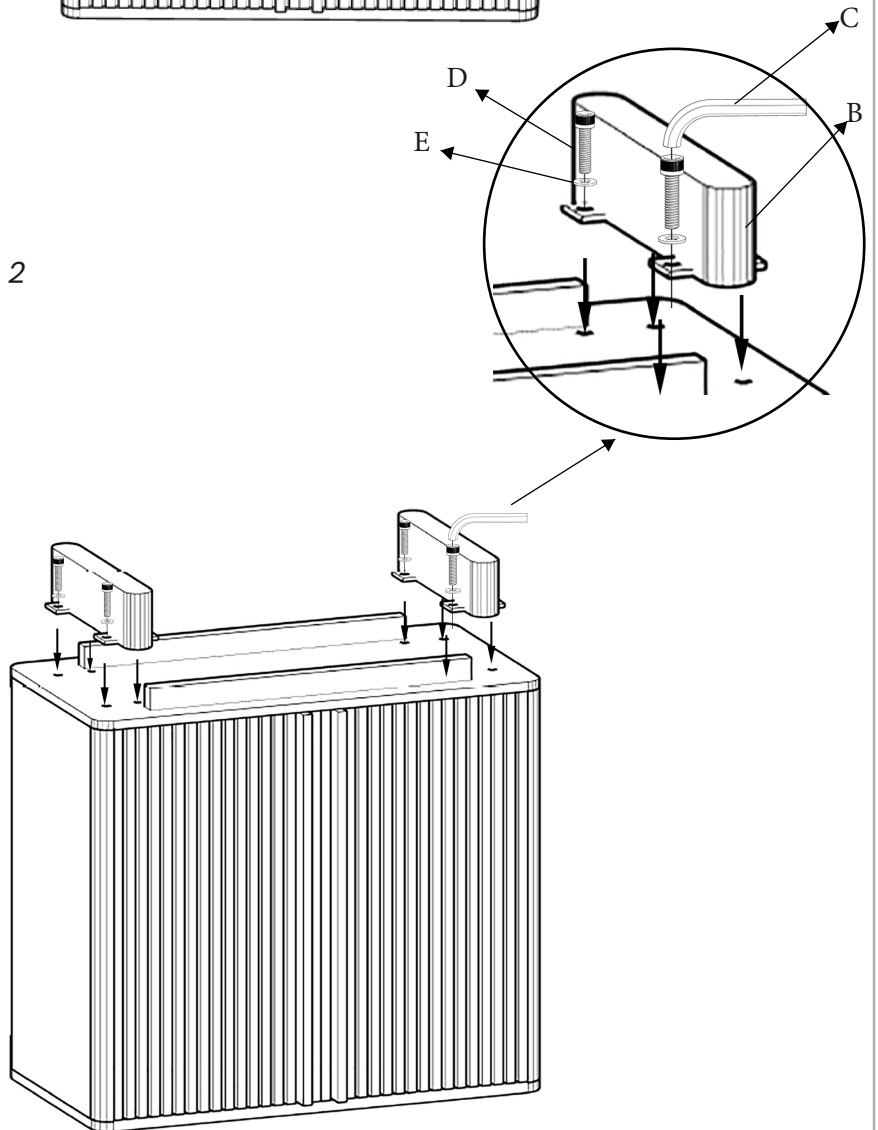


Washer x 8 pcs

## STEP 1



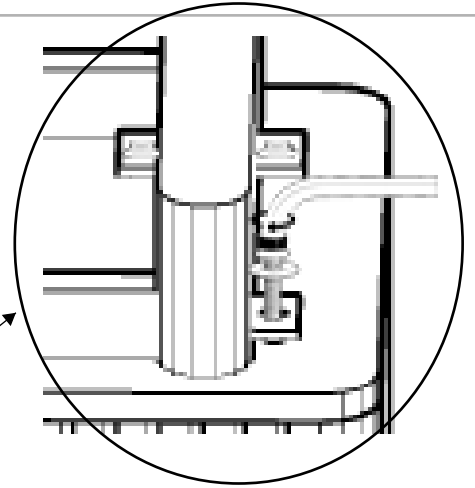
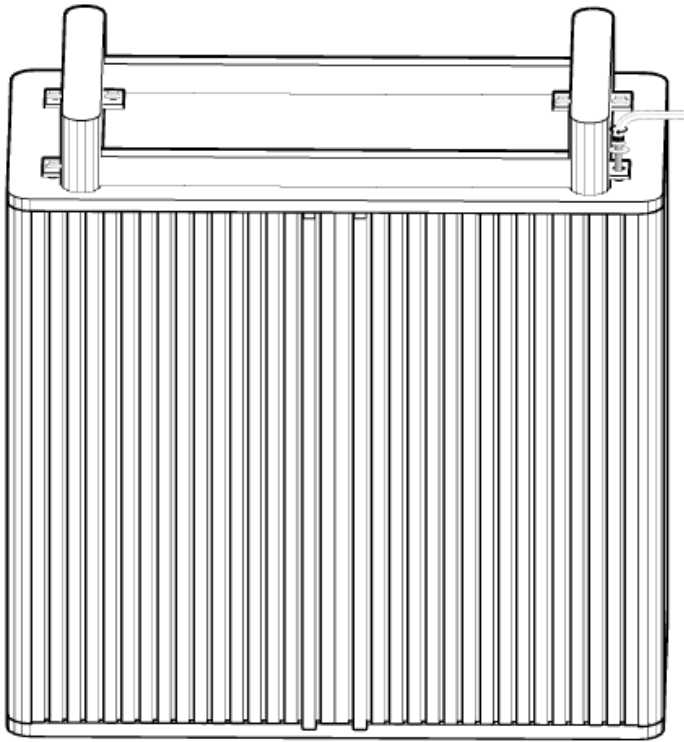
## STEP 2



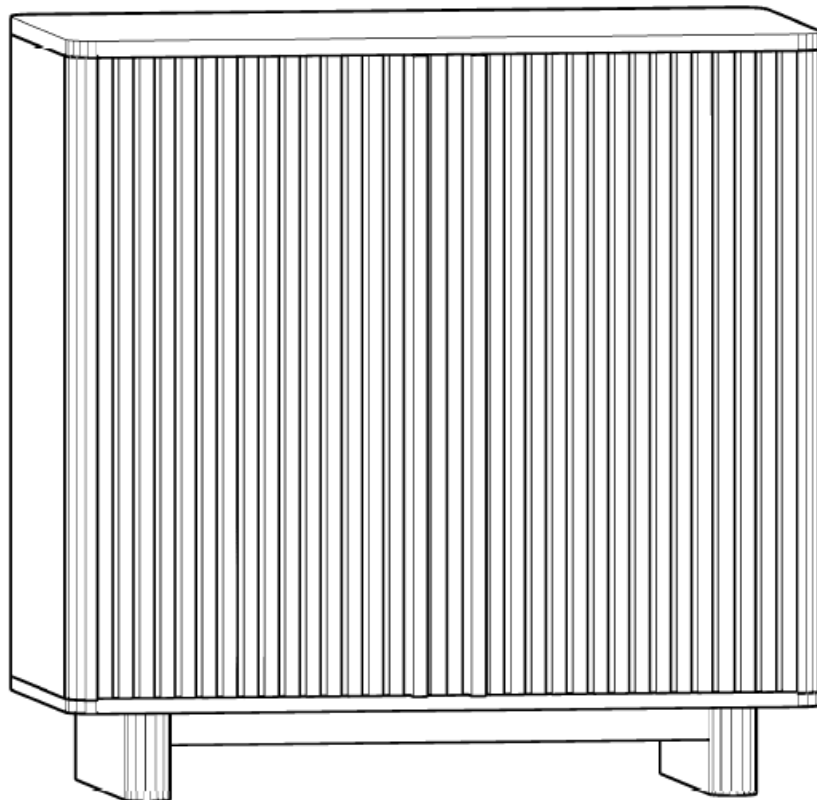
C

## Janis 2 Door Sideboard

STEP 3



STEP 4



*Assembled*