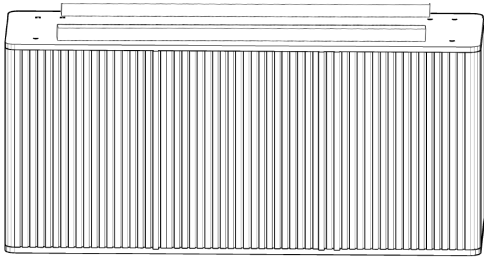




Janis 3 Door Sideboard

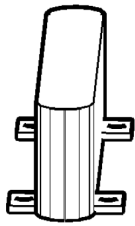
PRODUCT PARTS INCLUDED

A



Wooden Structure x 1pc

B



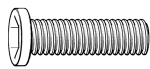
Wooden legs x 2pcs

C



Allen key x 1 pc

D



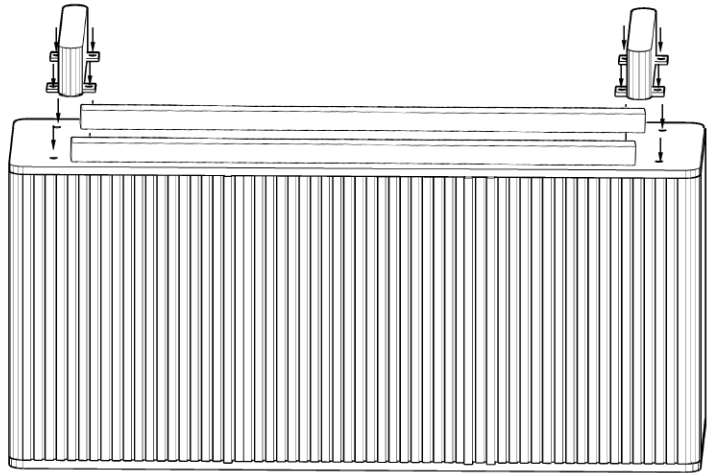
Bolt x 8pcs

E

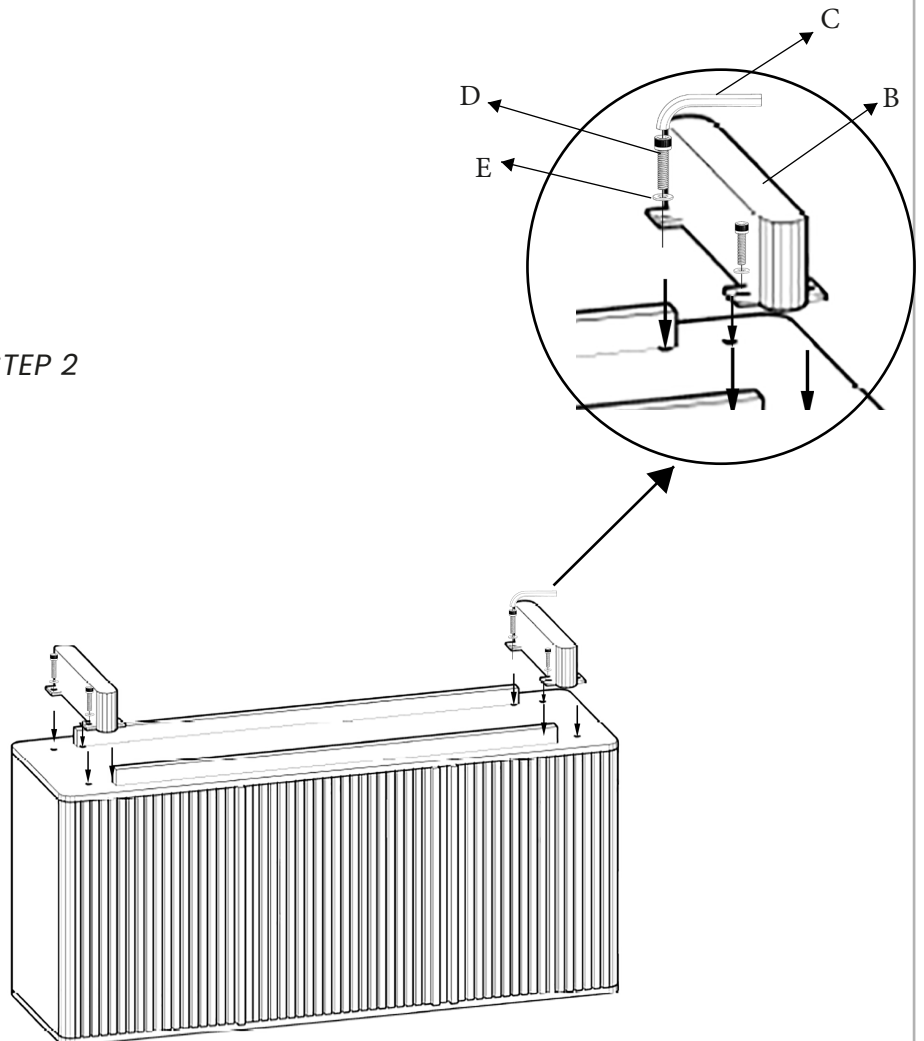


Washer x 8 pcs

STEP 1



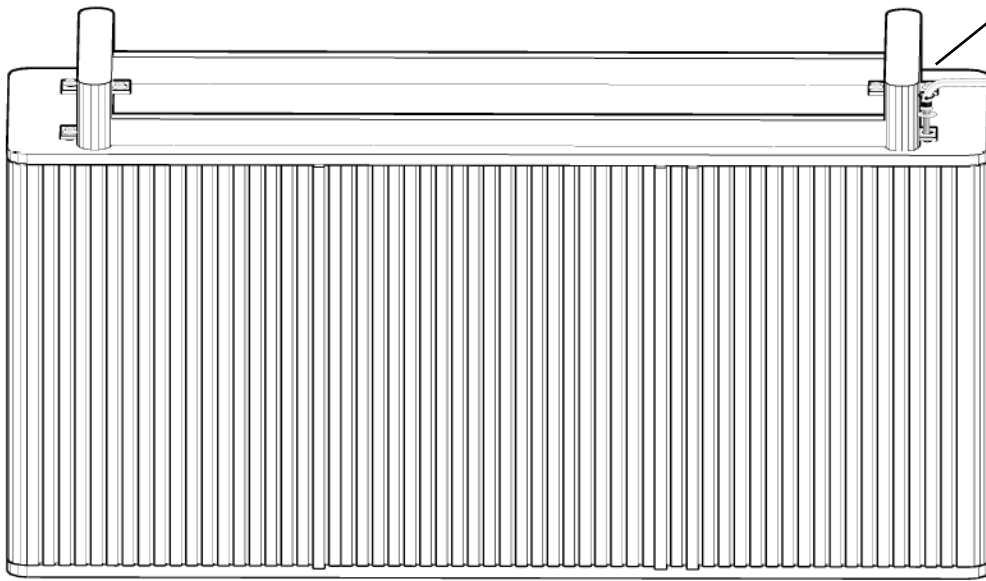
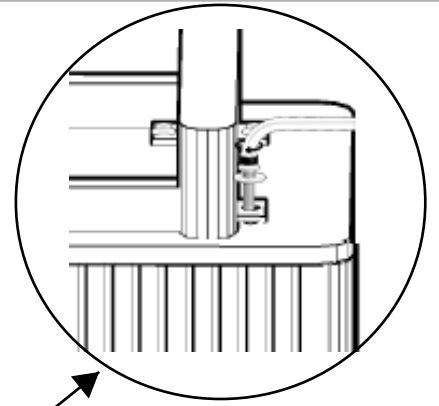
STEP 2



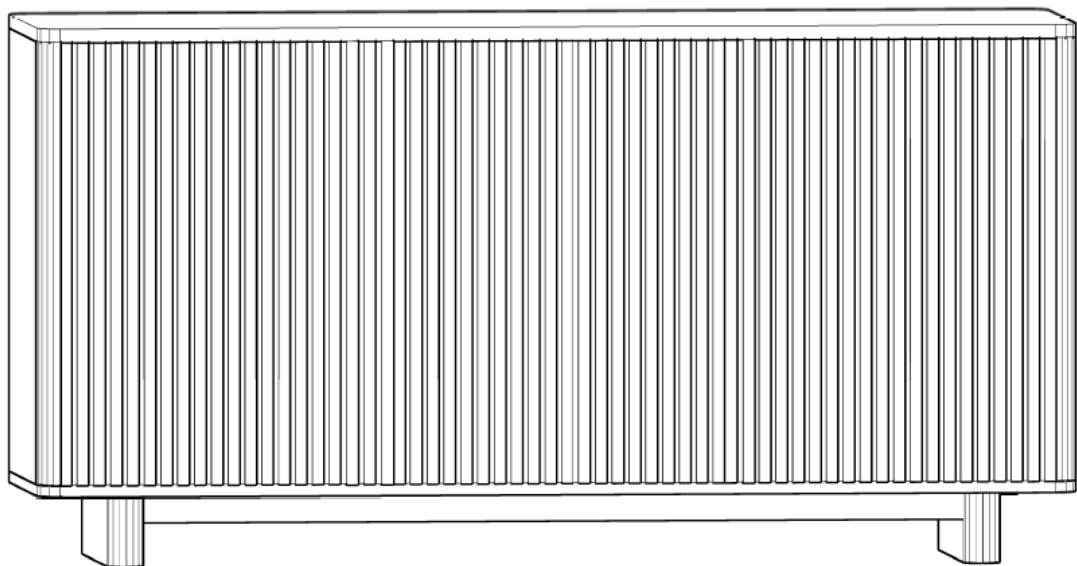


Janis 3 Door Sideboard

STEP 3



STEP 4



Assembled