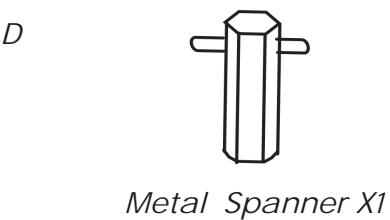
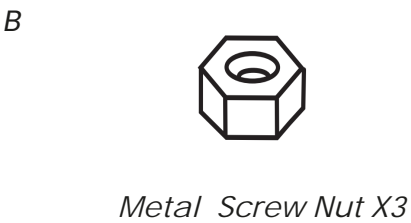
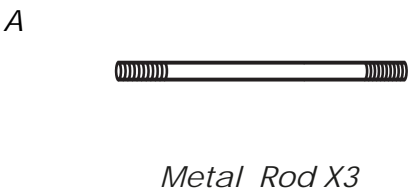
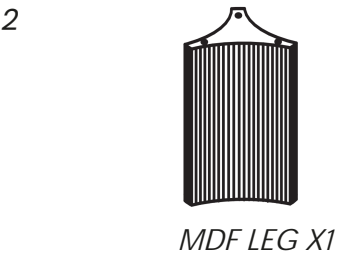
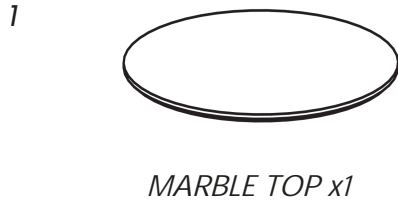


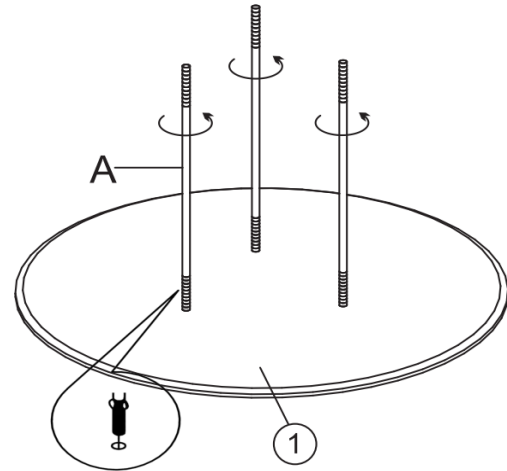
Jace Side Table


CF_SM004

PRODUCT PARTS INCLUDED

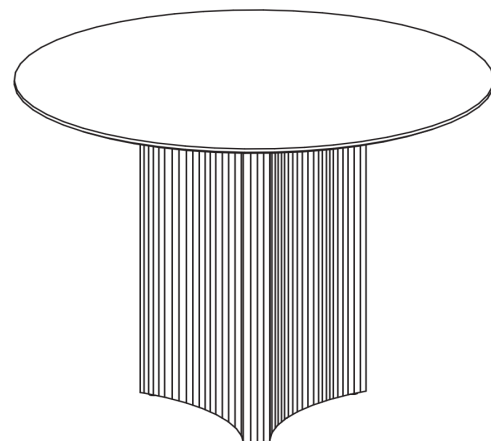
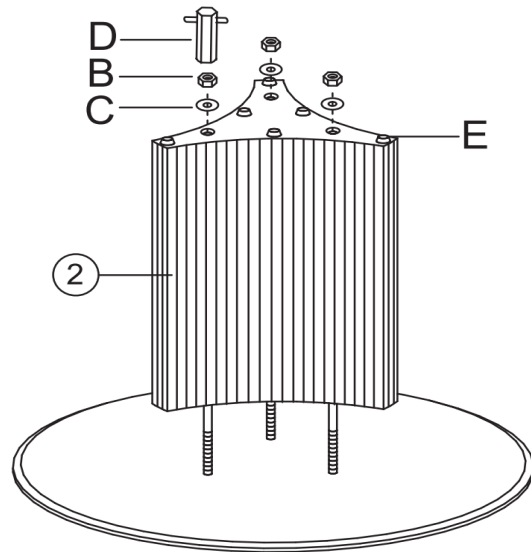


STEP 1



 Note: screw in the side with positioning

STEP 2



Assembled