

C

Lois 1 Drawers Desk

CF_ST001

PRODUCT PARTS INCLUDED

1



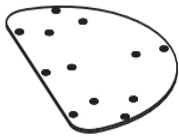
Marble TOP x1

2



MDF PLATE LEFT x1

3



MDF PLATE RIGHT x1

4



MDF LEG RIGHT x1

5



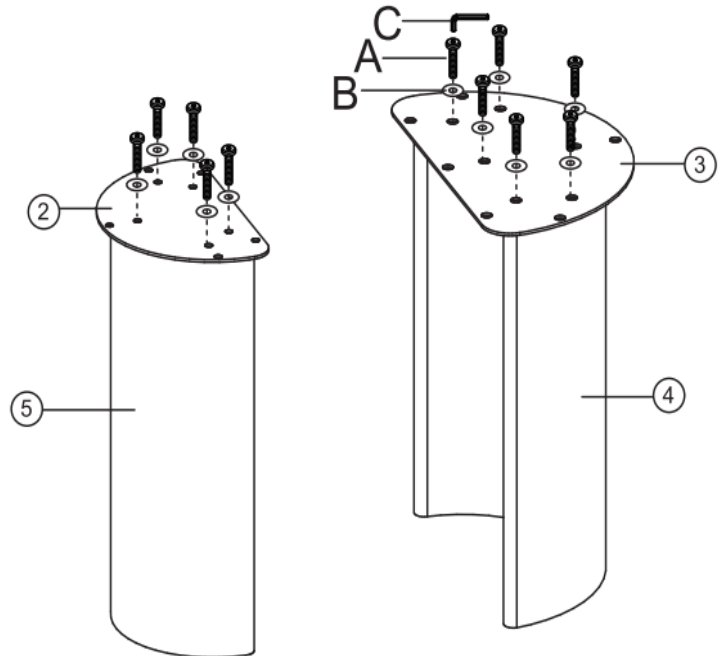
MDF LEG LEFT x1

6



MDF DRAWER x1

STEP 1



Assembled

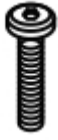
C

Lois 1 Drawer Desk

CF_ST001

PRODUCT PARTS INCLUDED

A



Metal Screw x22

B



Metal Washer x26

C



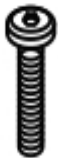
Metal Spanner x1

D



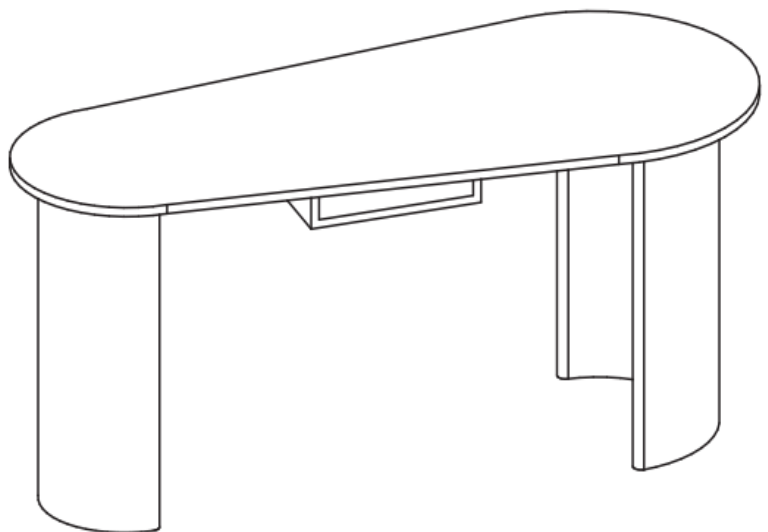
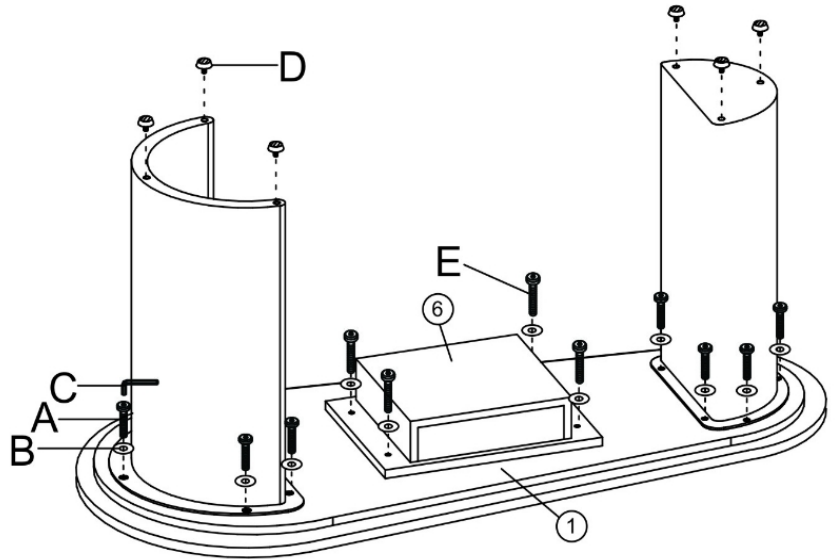
Table Feet x6

E



Metal Screw x4

STEP 2



Assembled