

C

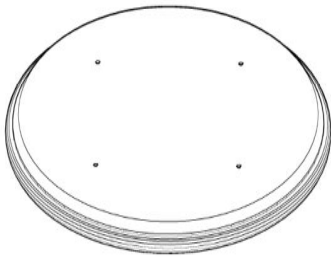
Dita Round Side Table

STBL-DITA

STEP 1

PRODUCT PARTS INCLUDED

A



Wooden Structure x 1pc

B



Wooden Base x 1pc

C



Allen key x 1 pc

D



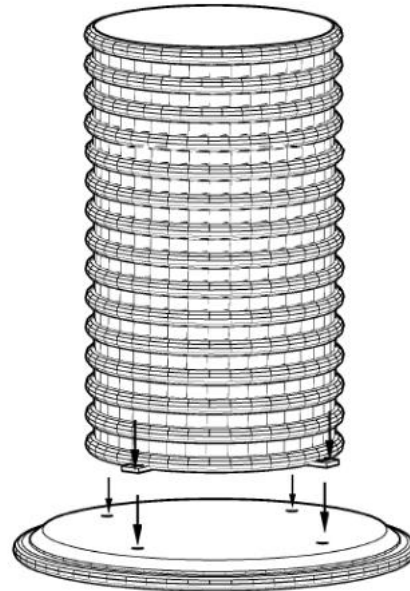
Bolt x 4pcs

E

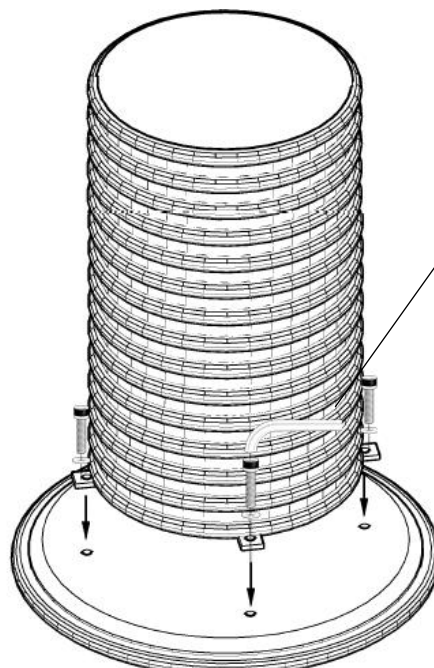
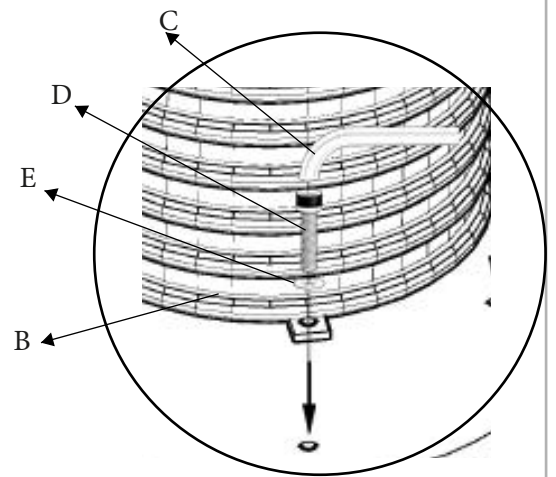
F



Washer x 4 pcs



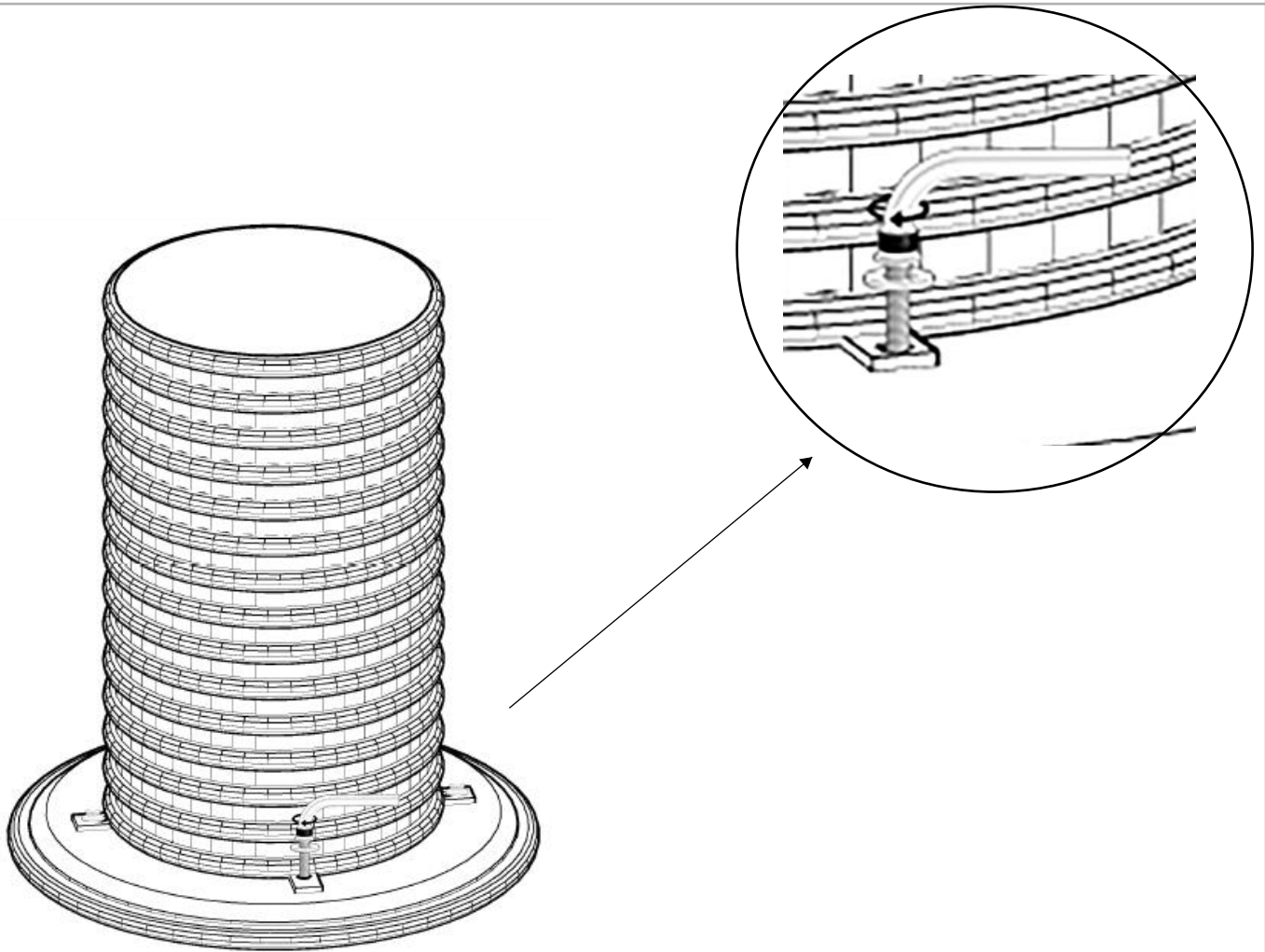
STEP 2



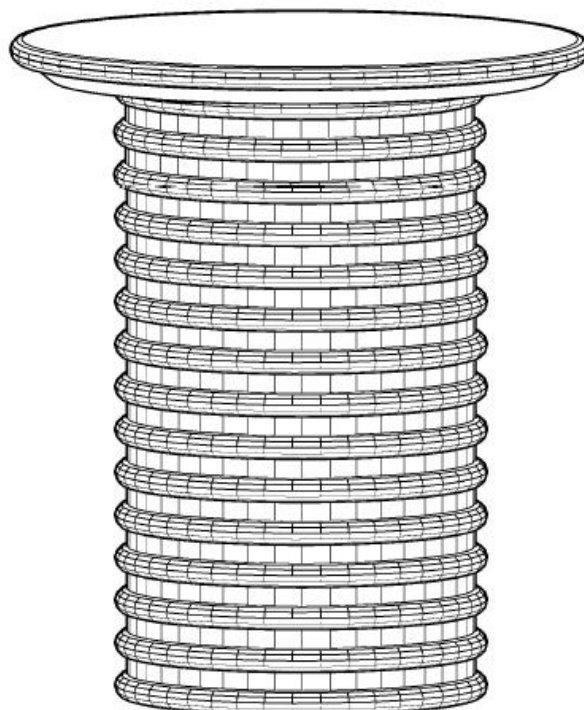
C

Dita Round Side Table

STEP 3



STEP 4



Assembled