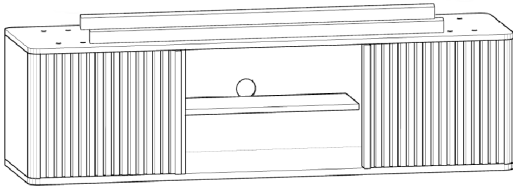




# Janis 2 Door Media Unit

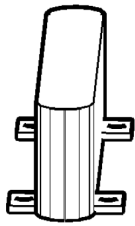
## PRODUCT PARTS INCLUDED

A



Wooden Structure x 1pc

B



Wooden legs x 2pcs

C



Allen key x 1 pc

D



Bolt x 8pcs

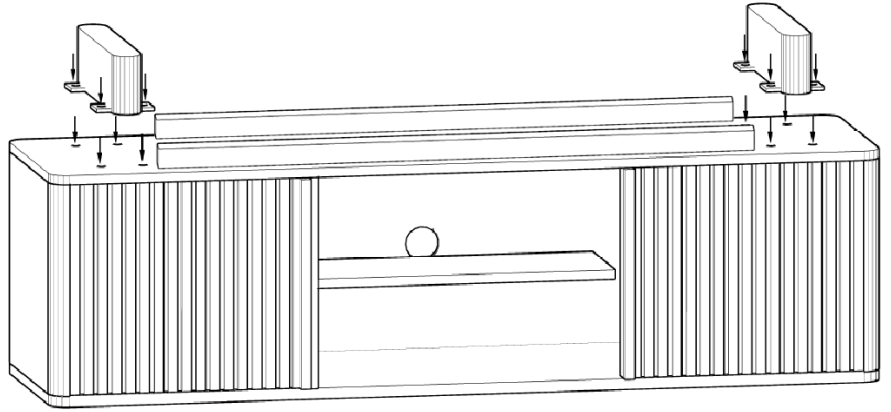
E



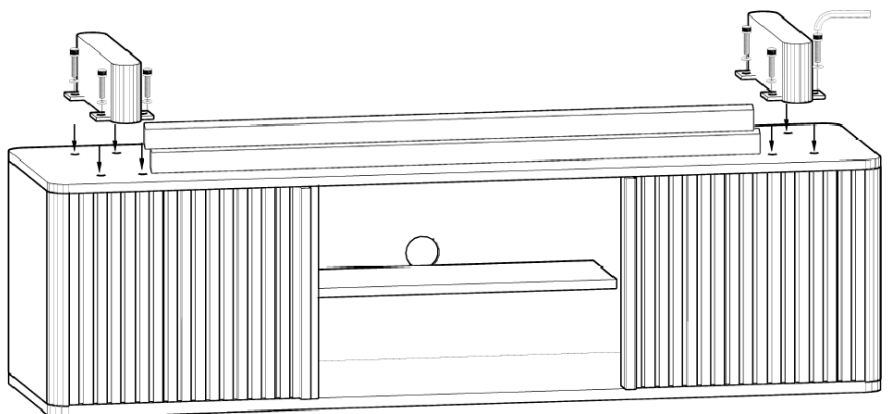
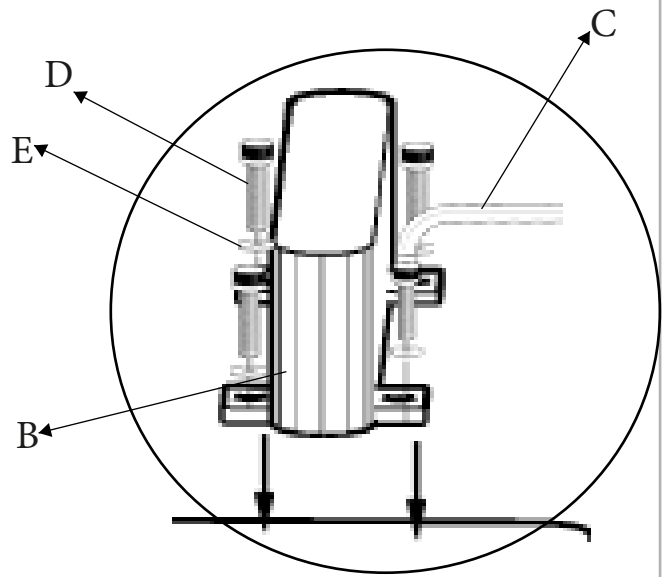
Washer x 8 pcs

STEP 1

B



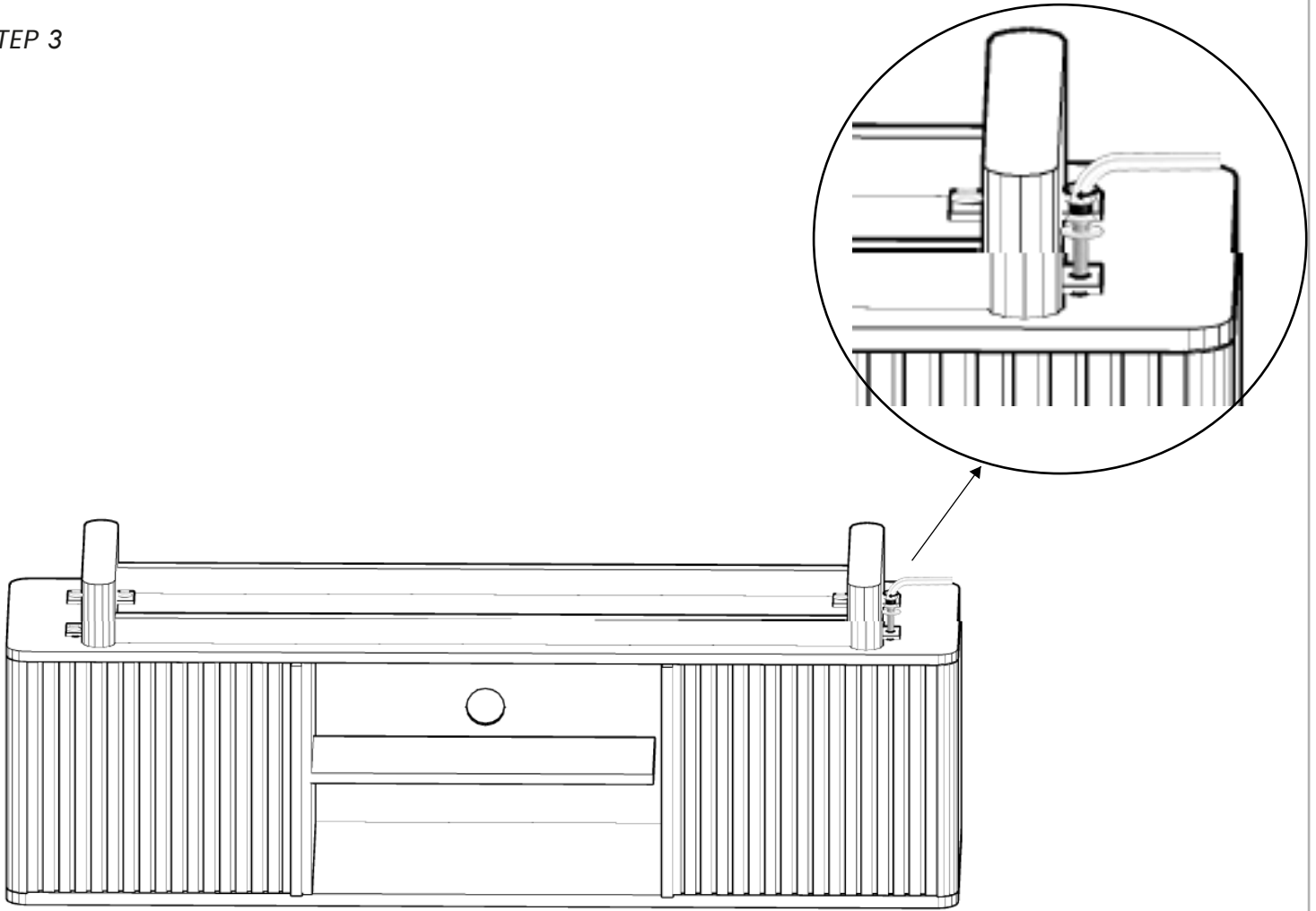
STEP 2



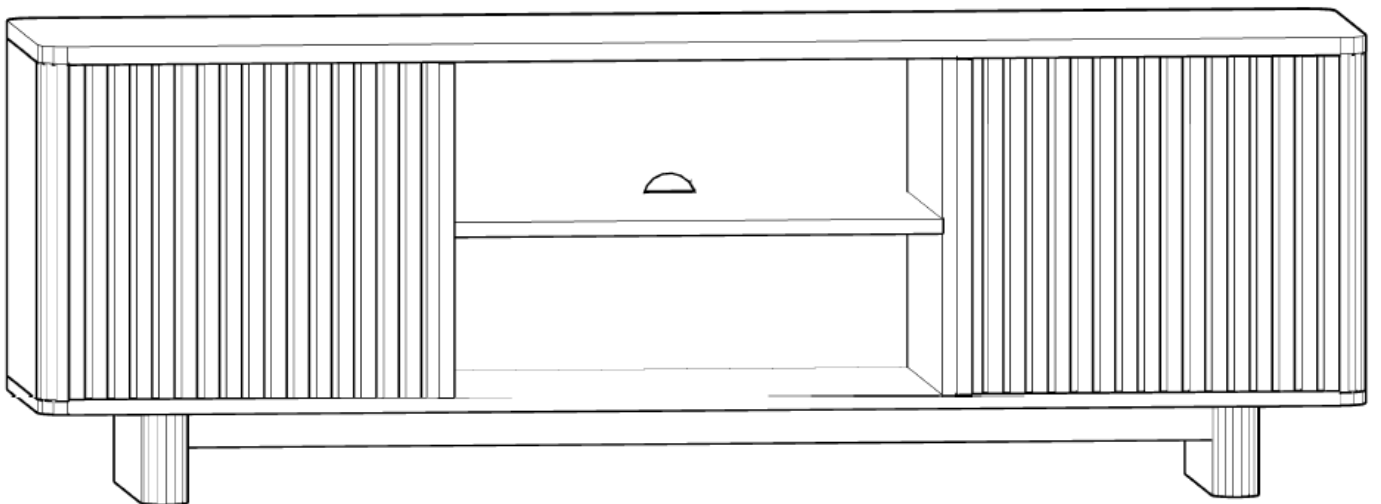


## Janis 2 Door Media Unit

STEP 3



STEP 4



*Assembled*