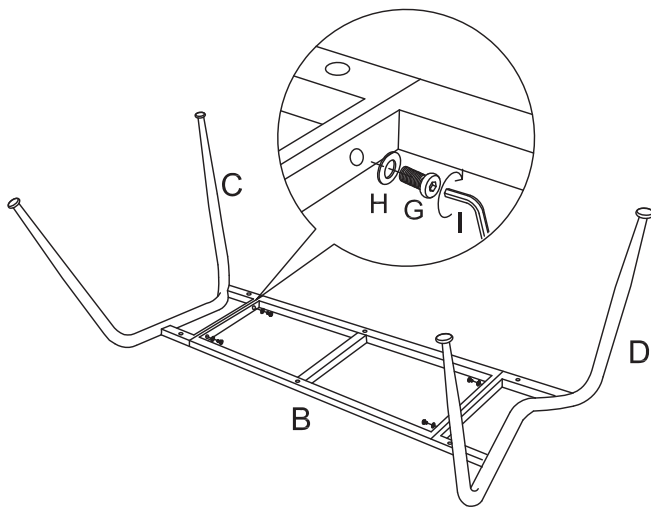


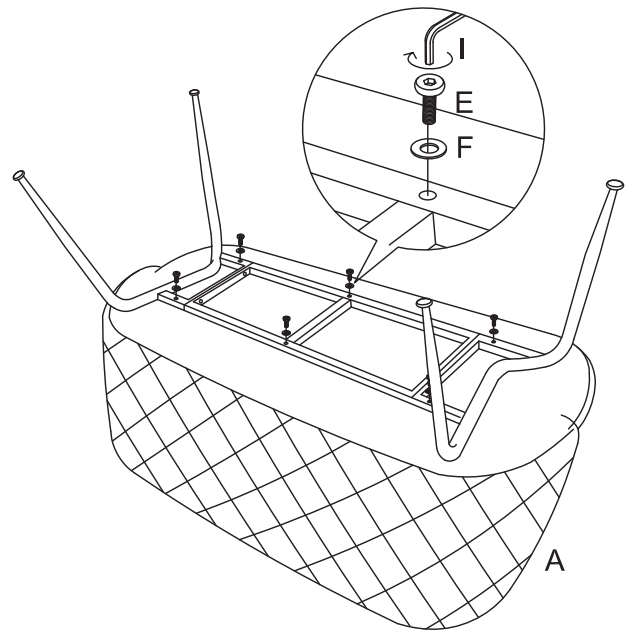
ASSEMBLY INSTRUCTIONS



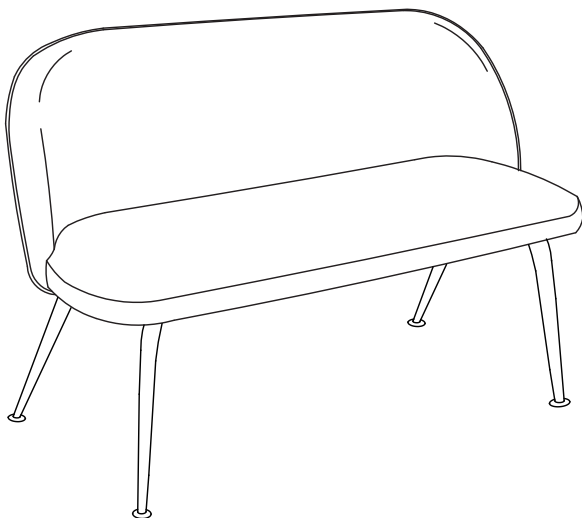
1



2



3



<p>A x1</p>	<p>B x1</p>
<p>C x1</p>	<p>D x1</p>
<p>E x6</p> <p>M6x35</p>	<p>F x6</p> <p>Ø6</p>
<p>G x4</p> <p>M8x20</p>	<p>H x4</p> <p>Ø8</p>
<p>I x1</p>	