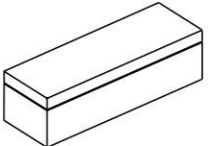
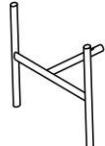
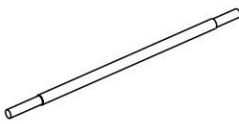


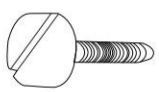


Assembly Instruction

 x1	A	 x2	B	 x1	C
 x2	D	 x1	E	 x4	F

