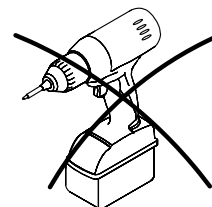
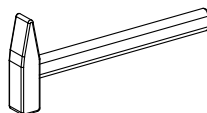
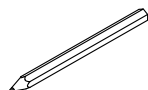
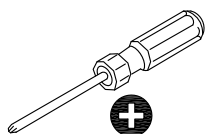
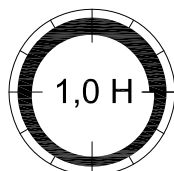
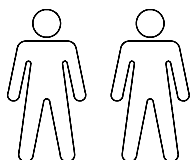
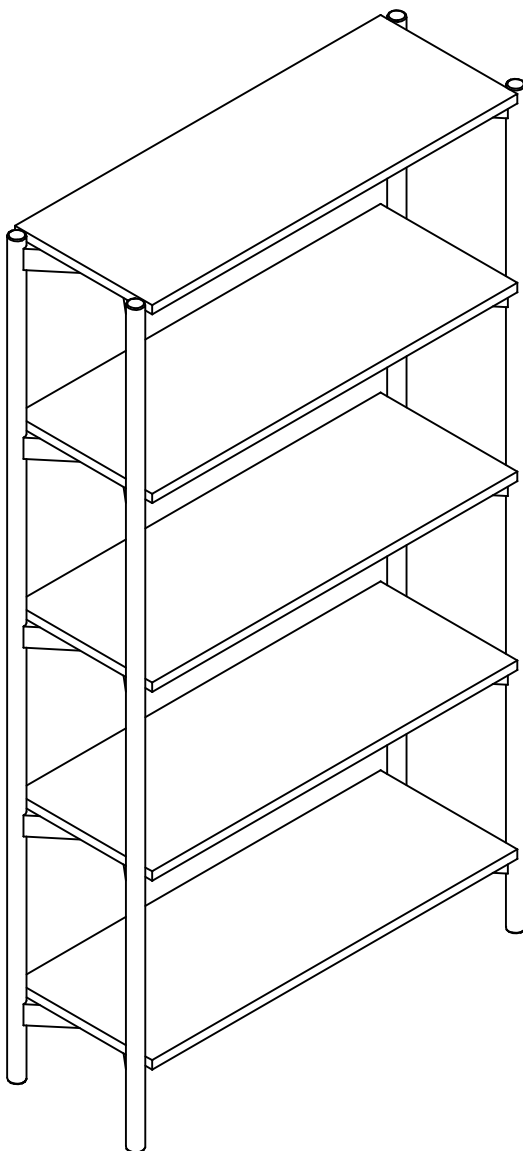
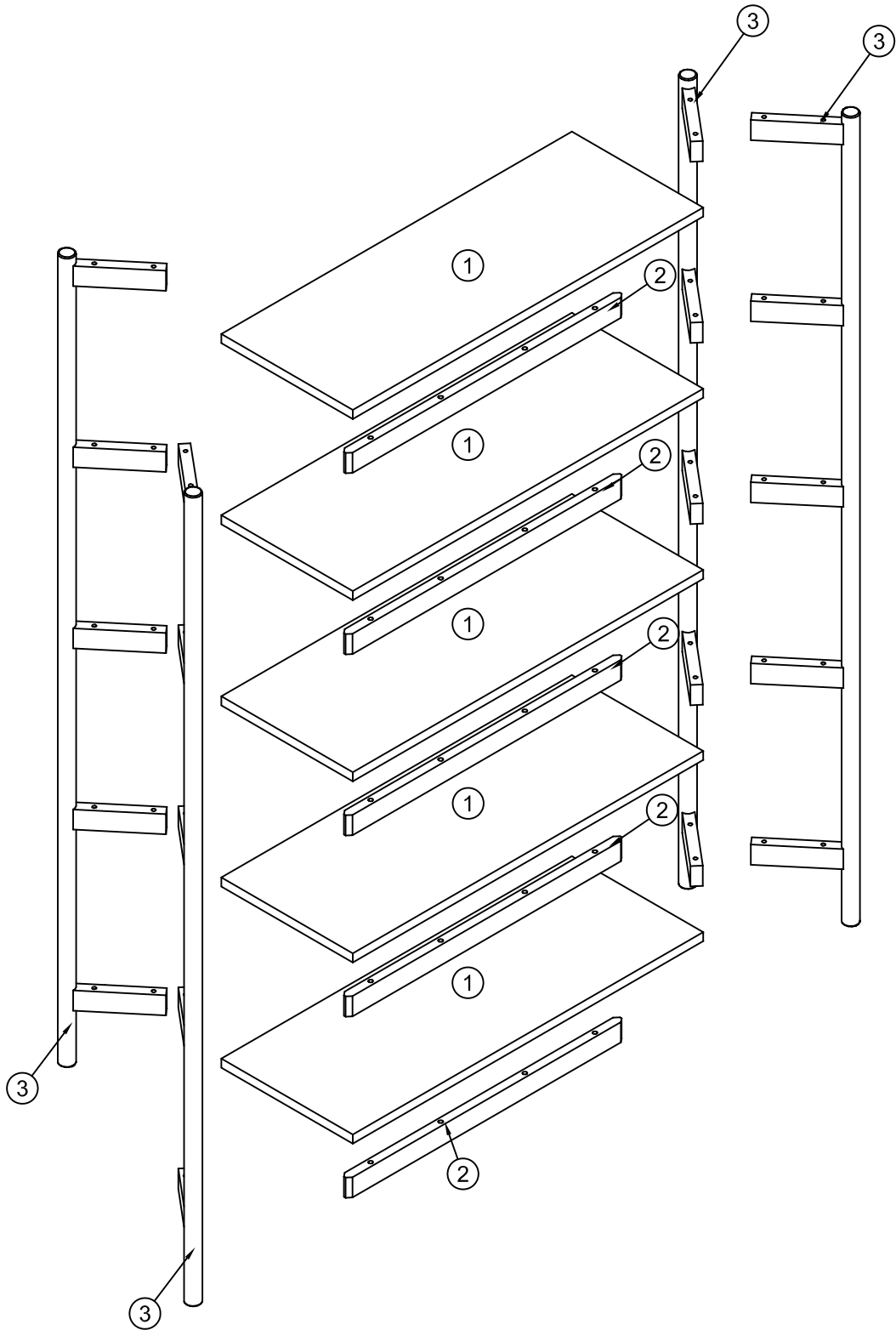
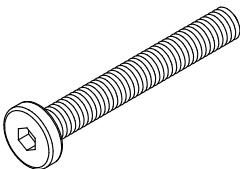
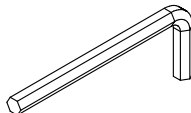
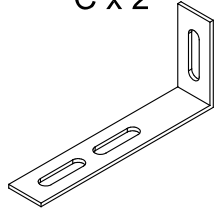
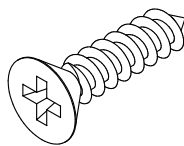
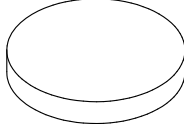
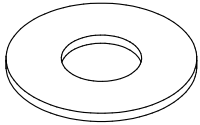


BRAIDWOOD

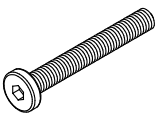
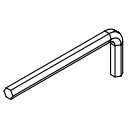
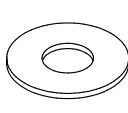


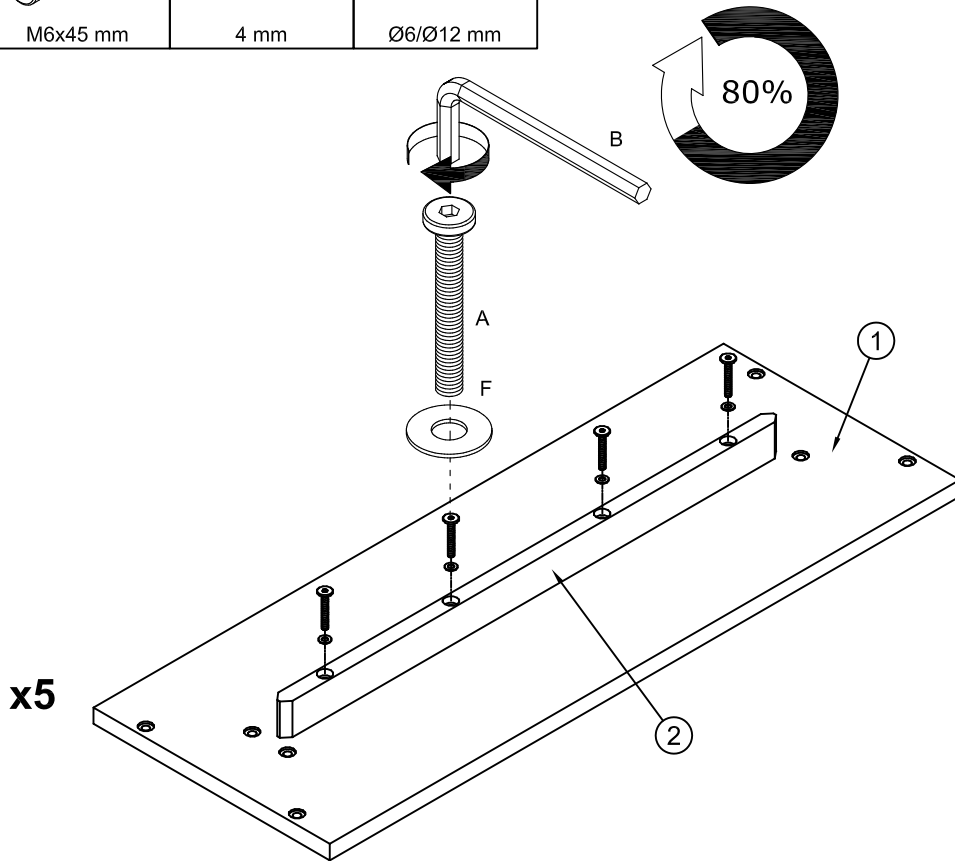
			✓
①	5	800x300x18	
②	5	630x40x18	
③	4	1601x176x30	



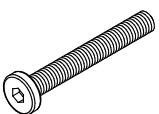
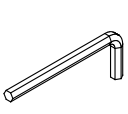
<p>A x 60</p>  <p>M6x45 mm</p>	<p>B x 1</p>  <p>4 mm</p>	<p>C x 2</p>  <p>85x30x15 mm</p>	<p>D x 4</p>  <p>Ø3,5x14 mm</p>	<p>E x 4</p>  <p>Ø25x3 mm</p>
<p>F x 20</p>  <p>Ø6/Ø12 mm</p>				

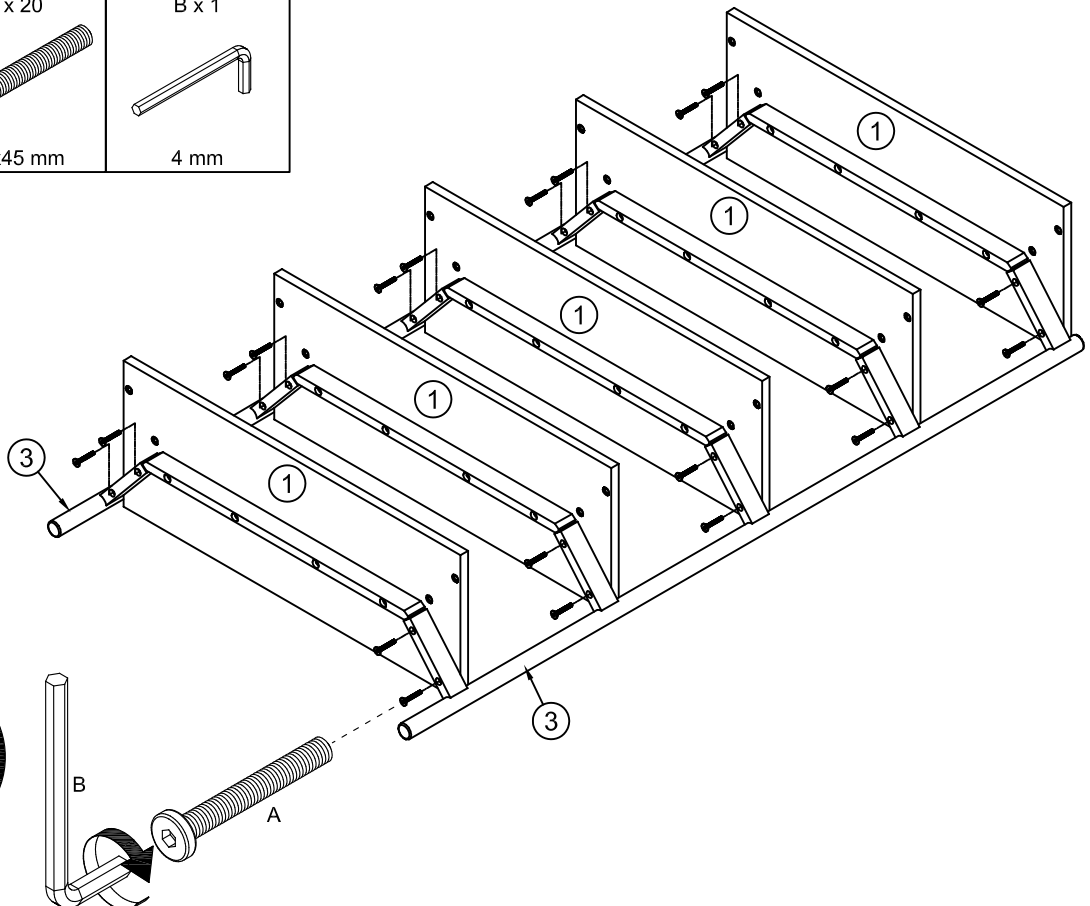
1

A x 20  M6x45 mm	B x 1  4 mm	F x 20  Ø6/Ø12 mm
---	--	--

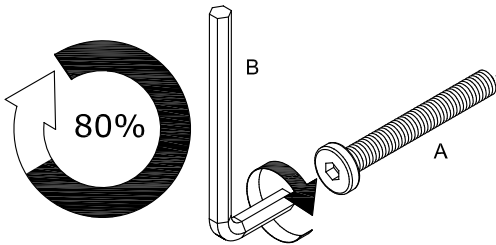
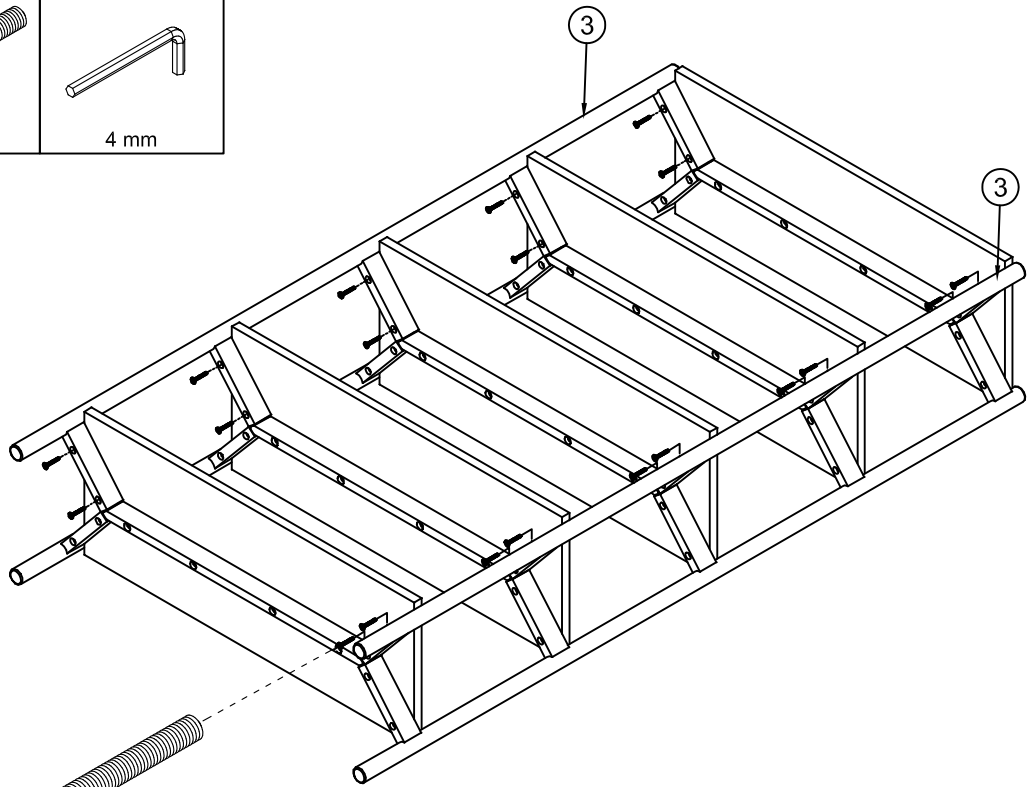
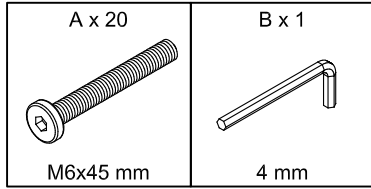


2

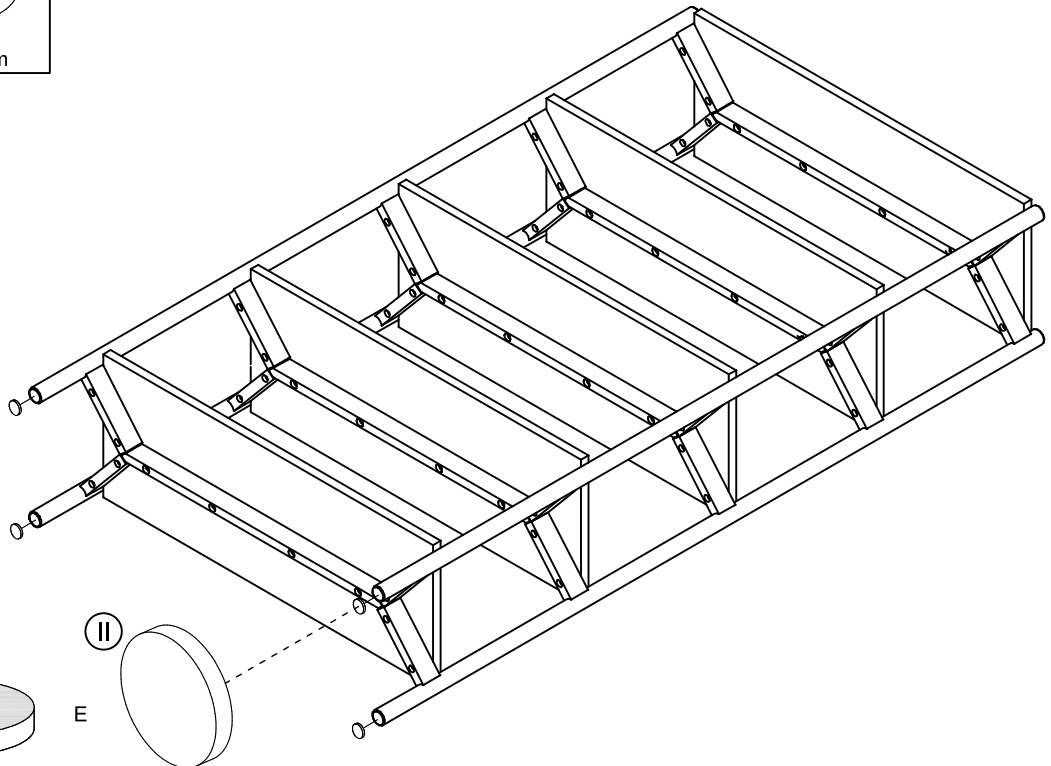
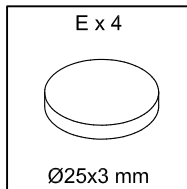
A x 20  M6x45 mm	B x 1  4 mm
---	--



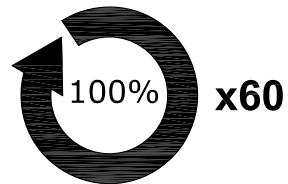
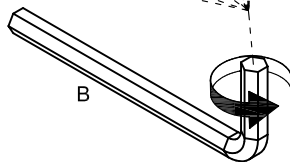
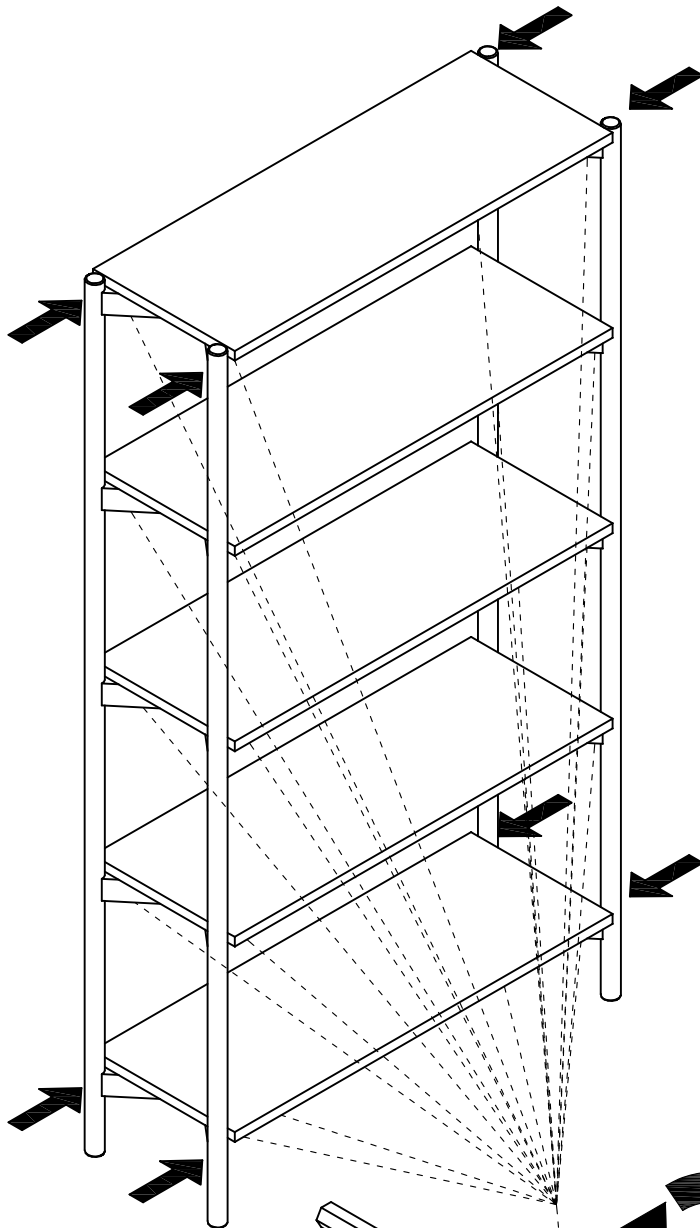
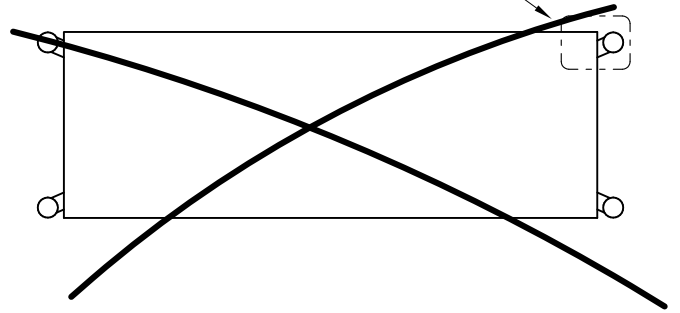
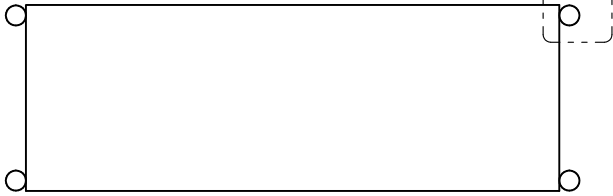
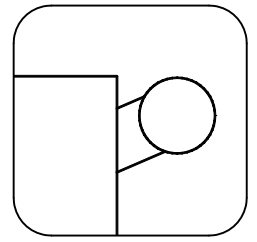
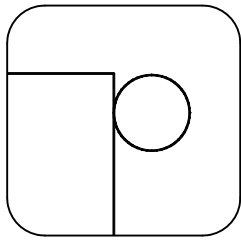
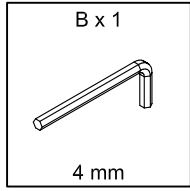
3



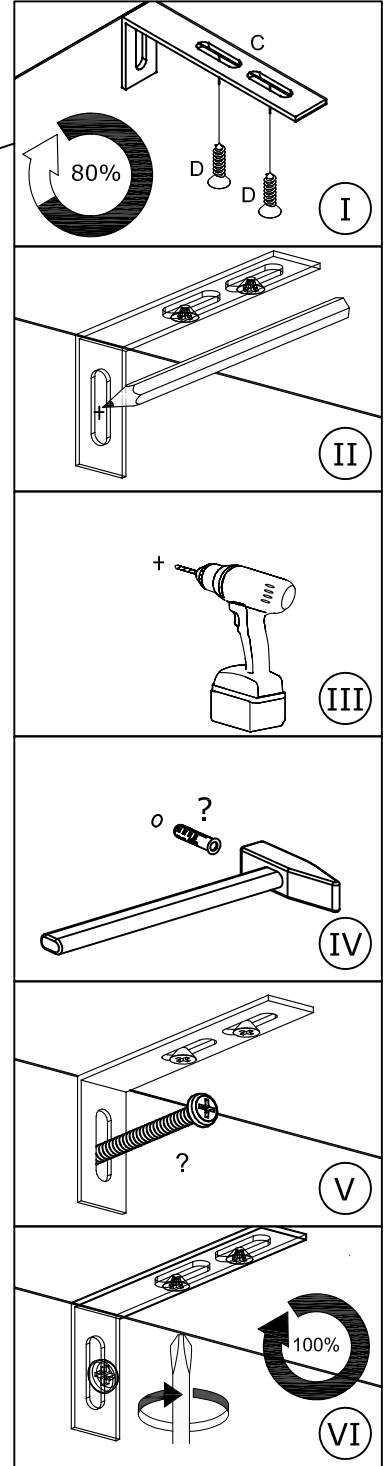
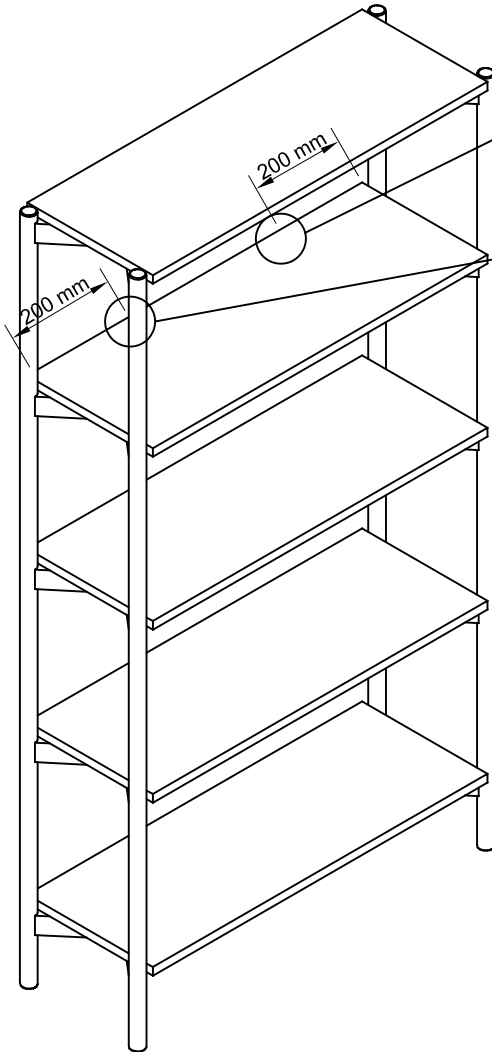
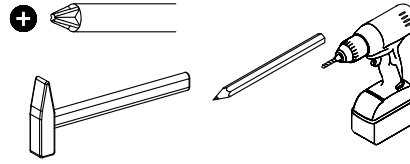
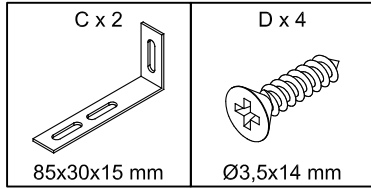
4



5



6



7

