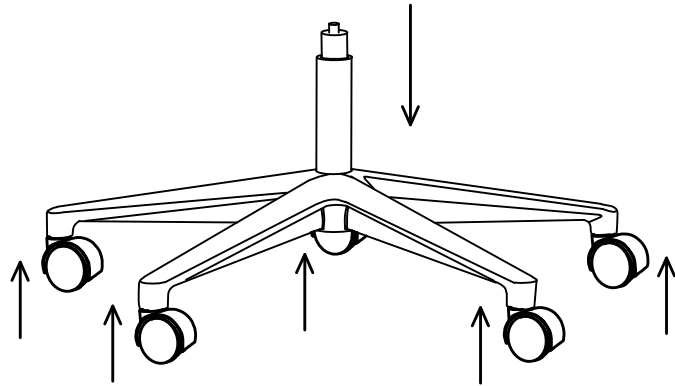


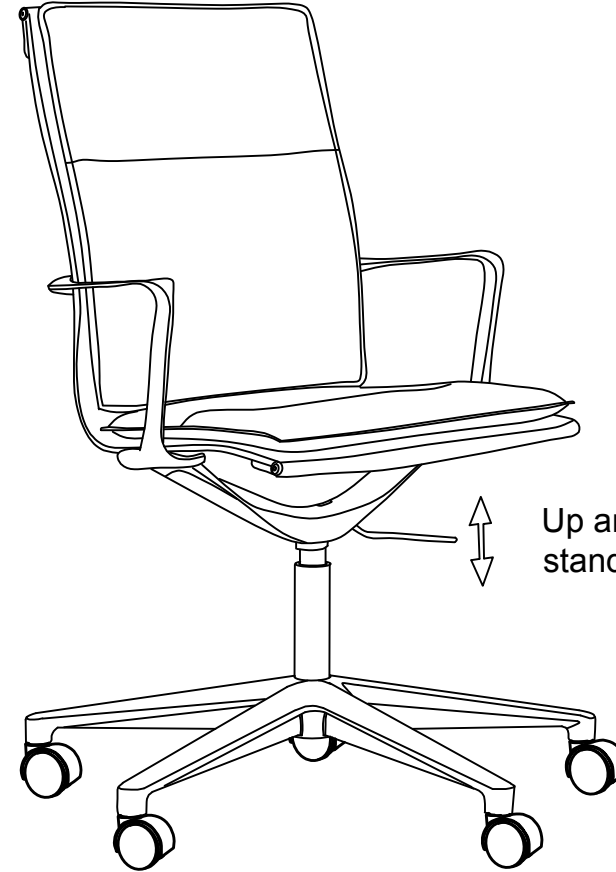
# Assembly Instructions

## Model : LS-6300A

### STEP 1



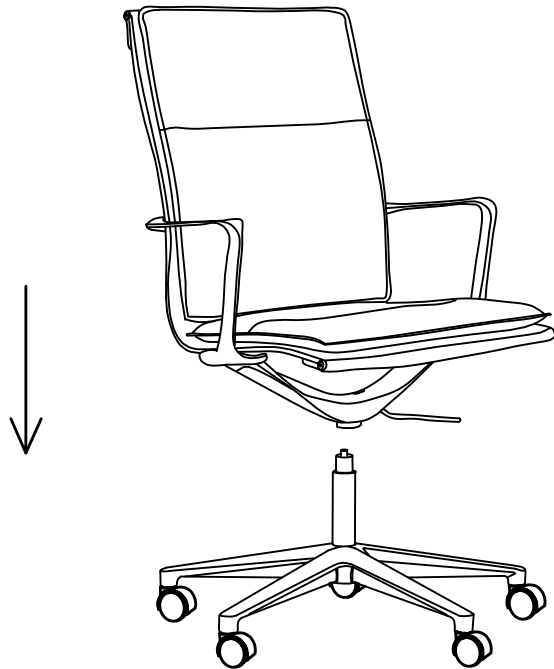
Assemble the wheels and gaslift.



Up and down handle to stand up or sit down

Done!

### STEP 2



Put the mechanism hole into gaslift.



(A) Legs  
1 pcs



(B) Wheels  
5 pcs



(C) Gaslift  
1 pcs



(D) Chair body  
1 pcs